



Chipsmall Limited consists of a professional team with an average of over 10 year of expertise in the distribution of electronic components. Based in Hongkong, we have already established firm and mutual-benefit business relationships with customers from,Europe,America and south Asia,supplying obsolete and hard-to-find components to meet their specific needs.

With the principle of "Quality Parts,Customers Priority,Honest Operation,and Considerate Service",our business mainly focus on the distribution of electronic components. Line cards we deal with include Microchip,ALPS,ROHM,Xilinx,Pulse,ON,Everlight and Freescale. Main products comprise IC,Modules,Potentiometer,IC Socket,Relay,Connector.Our parts cover such applications as commercial,industrial, and automotives areas.

We are looking forward to setting up business relationship with you and hope to provide you with the best service and solution. Let us make a better world for our industry!



Contact us

Tel: +86-755-8981 8866 Fax: +86-755-8427 6832

Email & Skype: info@chipsmall.com Web: www.chipsmall.com

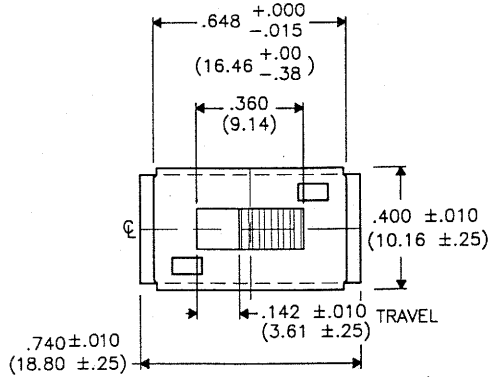
Address: A1208, Overseas Decoration Building, #122 Zhenhua RD., Futian, Shenzhen, China



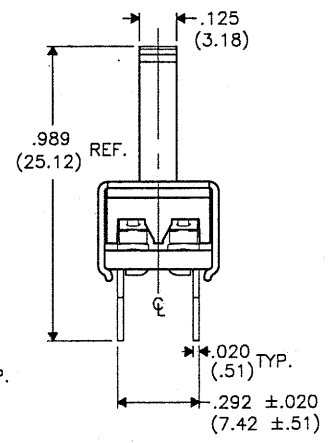
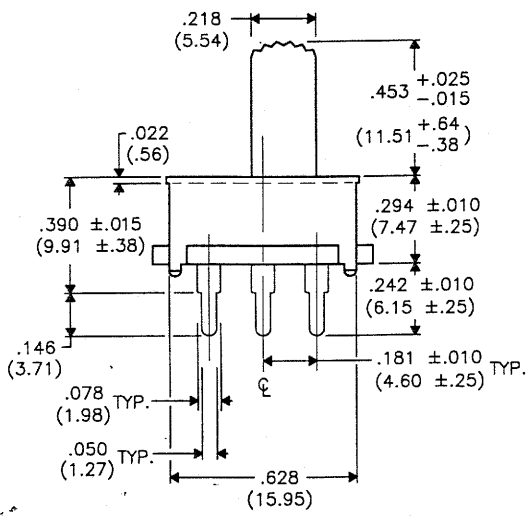
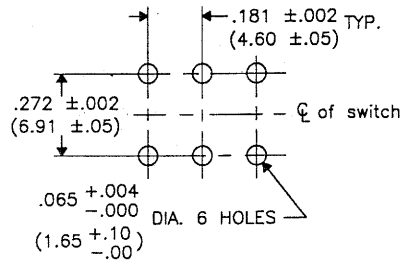
DIMENSIONS IN INCHES (MILLIMETERS)
DO NOT SCALE DRAWING

Dwg. No.
GF-126-0313

E
D
C
B
A



P.C. LAYOUT



1 2 3 4 5 6 7 8 9 10

FORM-B3 REVISIONS	0	RELEASED. DGW 7-13-93 RBK 7-19-93
	1	REDRAWN. UPDATED ALL DIMENSIONS PER NEW BUTTON G-02-030-020 & NEW TERM. G-20-069. CAFEB 10 1999
	2	CORRECTED TOP VIEW. REMOVED DETENT BUMPS 1 AND 4 FROM TOP OF HOUSING. DGW 1-06-2006 JAN 10 2006

PDF File Made ID. No: SAF0163A	CW INDUSTRIES Southampton, Pa. 18966		Title: MINI-SWITCH ASSEMBLY D.P.- D.T.
	TOLERANCES UNLESS OTHERWISE SPECIFIED		
	2 Place Decimal ±.010	METRIC	Division: SWITCH
	3 Place Decimal ±.005	1 Place Dec. ±.25mm 2 Place Dec. ±.13mm	
Made for: CW IND.	Drawn by: DGW 2-09-99	Dwg. No. GF-126-0313	
Checked by: <i>G. GULD 2-9-99</i>	Approval: <i>H. Plummer 2-9-99</i>		