



Chipsmall Limited consists of a professional team with an average of over 10 year of expertise in the distribution of electronic components. Based in Hongkong, we have already established firm and mutual-benefit business relationships with customers from,Europe,America and south Asia,supplying obsolete and hard-to-find components to meet their specific needs.

With the principle of “Quality Parts,Customers Priority,Honest Operation,and Considerate Service”,our business mainly focus on the distribution of electronic components. Line cards we deal with include Microchip,ALPS,ROHM,Xilinx,Pulse,ON,Everlight and Freescale. Main products comprise IC,Modules,Potentiometer,IC Socket,Relay,Connector.Our parts cover such applications as commercial,industrial, and automotives areas.

We are looking forward to setting up business relationship with you and hope to provide you with the best service and solution. Let us make a better world for our industry!



## Contact us

Tel: +86-755-8981 8866 Fax: +86-755-8427 6832

Email & Skype: info@chipsmall.com Web: www.chipsmall.com

Address: A1208, Overseas Decoration Building, #122 Zhenhua RD., Futian, Shenzhen, China



REVISIONS

0	RELEASED DGW 4-06-95
1	APR - 7 1995 G.G.
2	272 REF. WAS .292 ±.020, DGW 8-03-95 AUG 3 1995 G.G. 272±.020 WAS .272 REF. IN SIDE VIEW, DGW 5-07-97 G.G. MAY 12 1997

PDF File Made

**CUSTOMER APPROVAL:**  
 ALL FEATURES AND DIMENSIONS SHOWN ON THIS DRAWING ARE ACCEPTABLE. PARTS PRODUCED IN ACCORDANCE WITH THIS DRAWING, WILL PHYSICALLY MEET OUR REQUIREMENTS.  
 Customer \_\_\_\_\_  
 Approved by \_\_\_\_\_  
 Date \_\_\_\_\_

**CW INDUSTRIES**  
 Southampton, Pa. 18966

TOLERANCES UNLESS OTHERWISE SPECIFIED

2 Place decimal ±.010	METRIC
3 Place decimal ±.005	1 Place dec. ±.25mm
Angles ..... ± 1°	2 Place dec. ±.13mm

Id. No.: SAFO209A  
 Made for: CW IND.  
 Drawn by: DGW 4-06-95  
 Checked by: G.GULD 4-6-95  
 Approval: \_\_\_\_\_

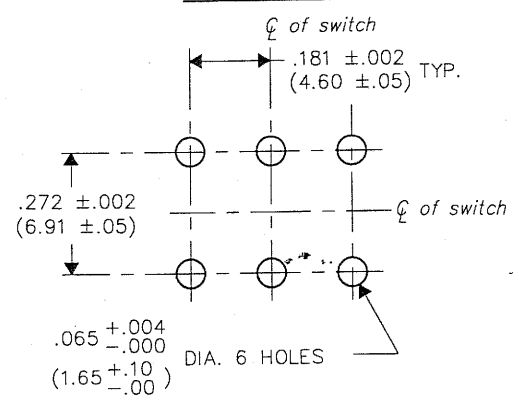
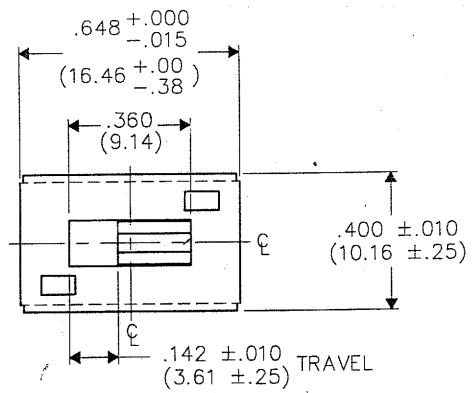
Title: SWIDGET ASSEMBLY  
 D.P. - D.T.  
 RAD. KNURL

Division: SWITCH  
 Dwg. No. GF-126-0318

DIMENSIONS IN INCHES (MILLIMETERS)  
 DO NOT SCALE DRAWING .....

Dwg. No. GF-126-0318

P.C. LAYOUT



**NOTE:**  
 1. Dimensions shown in ( ) are in millimeters.

