



Chipsmall Limited consists of a professional team with an average of over 10 year of expertise in the distribution of electronic components. Based in Hongkong, we have already established firm and mutual-benefit business relationships with customers from,Europe,America and south Asia,supplying obsolete and hard-to-find components to meet their specific needs.

With the principle of “Quality Parts,Customers Priority,Honest Operation,and Considerate Service”,our business mainly focus on the distribution of electronic components. Line cards we deal with include Microchip,ALPS,ROHM,Xilinx,Pulse,ON,Everlight and Freescale. Main products comprise IC,Modules,Potentiometer,IC Socket,Relay,Connector.Our parts cover such applications as commercial,industrial, and automotives areas.

We are looking forward to setting up business relationship with you and hope to provide you with the best service and solution. Let us make a better world for our industry!



## Contact us

Tel: +86-755-8981 8866 Fax: +86-755-8427 6832

Email & Skype: info@chipsmall.com Web: www.chipsmall.com

Address: A1208, Overseas Decoration Building, #122 Zhenhua RD., Futian, Shenzhen, China





Part No: GF0771M

Date: 9/27/2006

Unit: mm

Description: speaker

Page No: 1 of 2

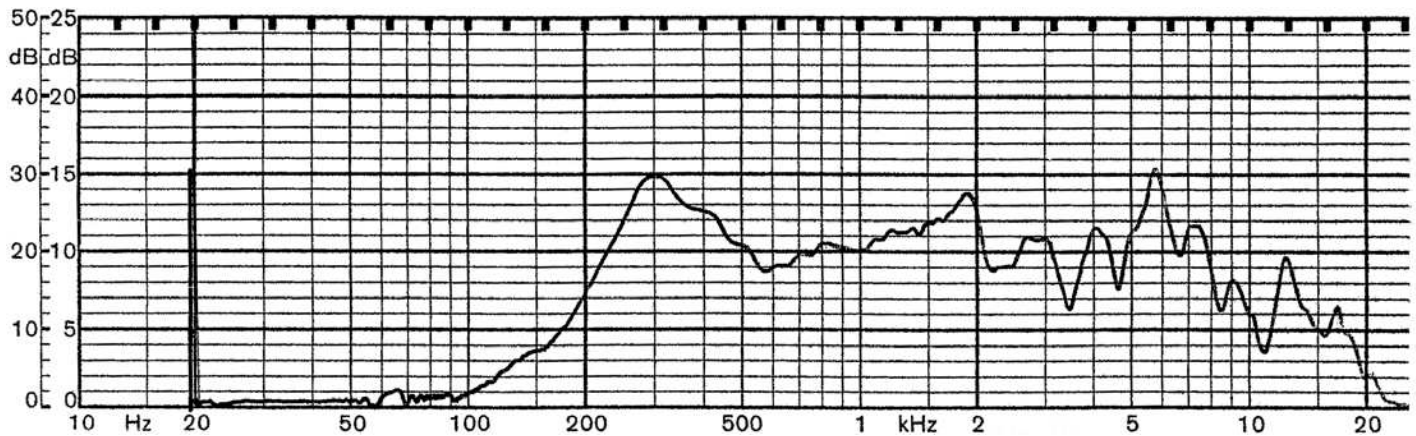


### Specifications

|                      |                                      |   |
|----------------------|--------------------------------------|---|
| Nominal Size         | 77 mm (3.00 in)                      | (See attached drawing)                      |
| Impedance            | 8 Ohm $\pm$ 15%                      | at 800 Hz 1 V                               |
| Resonant frequency   | 280 Hz $\pm$ 56 Hz                   | at 1 V                                      |
| Sound pressure level | 90 dB/w $\pm$ 3 dB                   | 1 w 50 cm ave. at 0.6K, 0.8K, 1.0K, 1.2K Hz |
| Response             | Fo Hz ~ 11 KHz max 10 dB             |   |
| Input power          | Nominal 1 W                          | Handling capacity 2 W                       |
| Operation            | must be normal at program source 1 W |   |
| Buzz, rattle, etc.   | must be normal at sine wave 2.82 V   |   |
| Magnet               | Size: 32 x 18 x 6 mm                 |   |
| Load test            | White noise 1 W                      | for 48 hours                                |
| Heat test            | 70 $\pm$ 2° C                        | 20-50% R.H. 48 hours                        |
| Humidity test        | 40 $\pm$ 2° C                        | 90-95% R.H. 48 hours                        |

### Frequency Response Curve

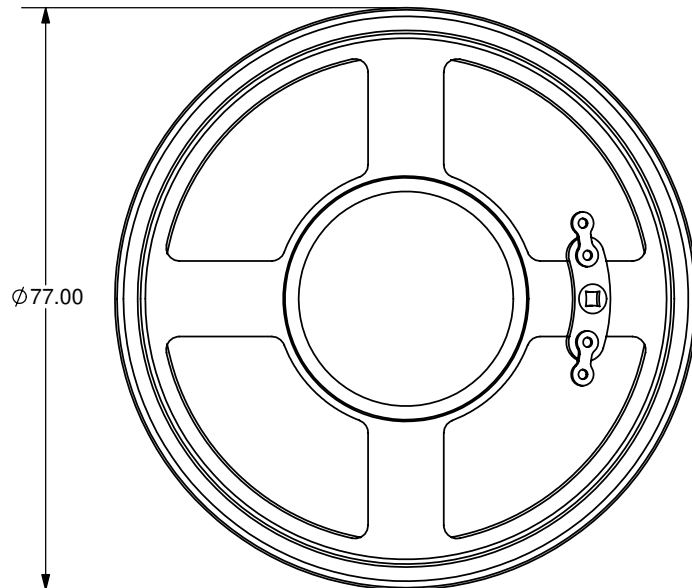
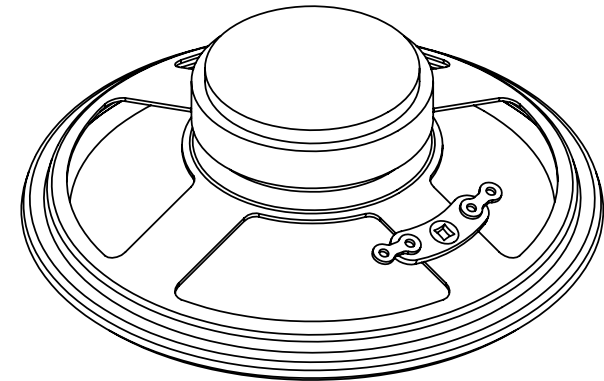
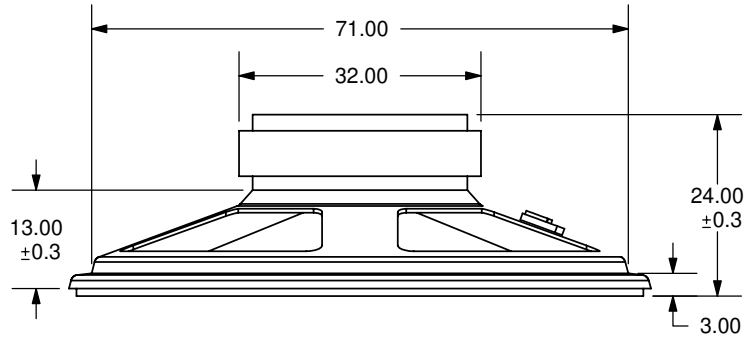
|                       |            |
|-----------------------|------------|
| Potentiometer range   | 50 dB      |
| Rectifier             | RMS        |
| Lower limit frequency | 20 Hz      |
| Wr. speed             | 100 mm/sec |



Zero level 70 dB



| REV. | DESCRIPTION | DATE     |
|------|-------------|----------|
| A    | NEW DRAWING | 8/8/2006 |



TOLERANCE:  
±0.5mm UNLESS OTHERWISE  
SPECIFIED



20050 SW 112th Ave.  
Tualatin, OR 97062  
Phone: 503-643-4899  
800-275-4899  
Fax: 503-372-1266  
Website: www.cui.com

|  |                    |            |
|--|--------------------|------------|
| TITLE: Round frame mylar cone - ferrite magnet |                    | REV: A     |
| PART NO. GF0771M                               | UNITS: MM [INCHES] |            |
| DRAWN BY: ZRJ                                  | APPROVED BY:       | SCALE: 1:1 |

PC FILE NAME:  
GF0771M

COPYRIGHT 2006 BY CUI INC.

For more information, please visit the [product page](#).