



Chipsmall Limited consists of a professional team with an average of over 10 year of expertise in the distribution of electronic components. Based in Hongkong, we have already established firm and mutual-benefit business relationships with customers from,Europe,America and south Asia,supplying obsolete and hard-to-find components to meet their specific needs.

With the principle of “Quality Parts,Customers Priority,Honest Operation,and Considerate Service”,our business mainly focus on the distribution of electronic components. Line cards we deal with include Microchip,ALPS,ROHM,Xilinx,Pulse,ON,Everlight and Freescale. Main products comprise IC,Modules,Potentiometer,IC Socket,Relay,Connector.Our parts cover such applications as commercial,industrial, and automotives areas.

We are looking forward to setting up business relationship with you and hope to provide you with the best service and solution. Let us make a better world for our industry!



## Contact us

Tel: +86-755-8981 8866 Fax: +86-755-8427 6832

Email & Skype: info@chipsmall.com Web: www.chipsmall.com

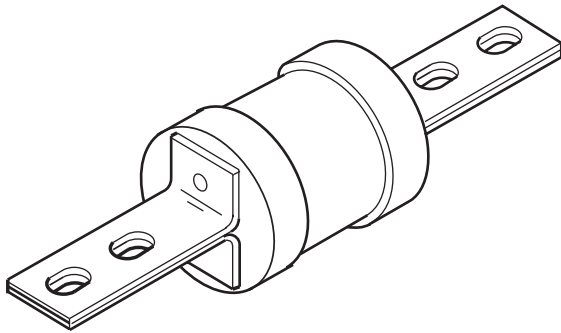
Address: A1208, Overseas Decoration Building, #122 Zhenhua RD., Futian, Shenzhen, China



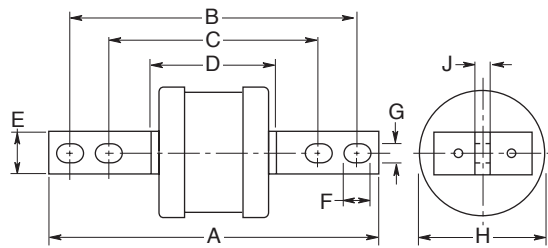
# Industrial HRC Fuse

## 84 x 212mm, BS88, IEC 269-1

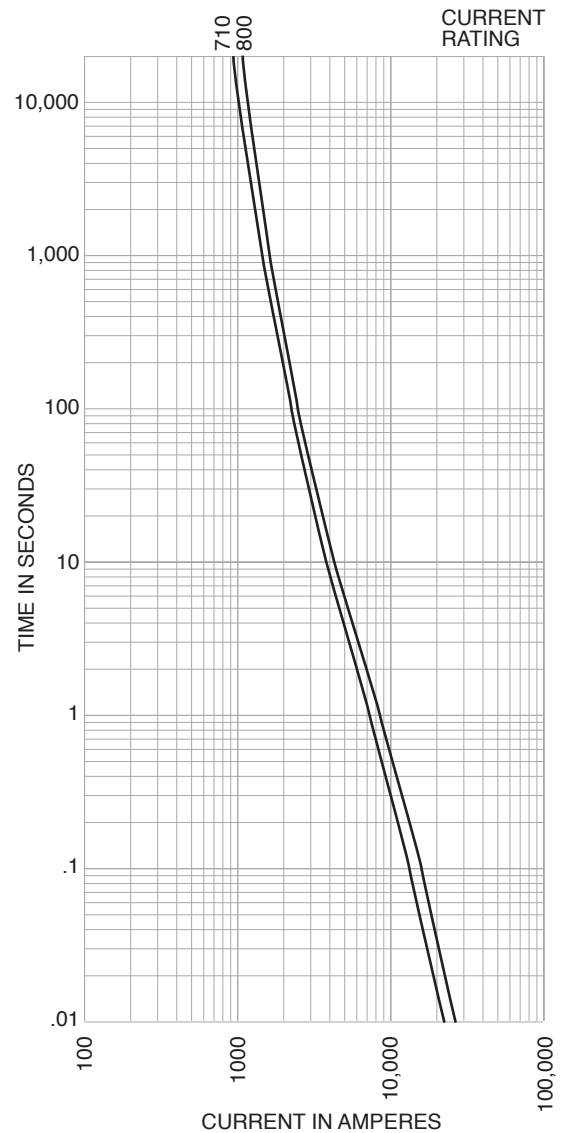
### Center Bolted Tags



CATALOG SYMBOL: GF  
 INDUSTRIAL HRC FUSE  
 CENTER BOLTED TAGS  
 PACKAGE QUANTITY: 20  
 80KA INTERRUPTING RATING



- British standard low voltage industrial fuses.
- General purpose, type gG.
- Used in general industrial motor circuits.



#### Electical Characteristics

Catalog Number	Ampere Rating	I²t (A²s x 10³)			Watts Loss	Nom Rated Voltage	Dimensions (mm)								
		Pre-Arcing	Total at 415V	Total at 550V			A	B	C	D	E	F	G	H	J
GF710	710	3500	8100	11,000	53	550AC	210.0	185.0	134.0	80.5	25.4	15.5	10.5	83.0	9.5
GF800	800	5050	11,500	15,500	64	250DC									

The only controlled copy of this BIF document is the electronic read-only version located on the Bussmann Network Drive. All other copies of this BIF document are by definition uncontrolled. This bulletin is intended to clearly present comprehensive product data and provide technical information that will help the end user with design applications. Bussmann reserves the right, without notice, to change design or construction of any products and to discontinue or limit distribution of any products. Bussmann also reserves the right to change or update, without notice, any technical information contained in this bulletin. Once a product has been selected, it should be tested by the user in all possible applications.