



Chipsmall Limited consists of a professional team with an average of over 10 year of expertise in the distribution of electronic components. Based in Hongkong, we have already established firm and mutual-benefit business relationships with customers from,Europe,America and south Asia,supplying obsolete and hard-to-find components to meet their specific needs.

With the principle of “Quality Parts,Customers Priority,Honest Operation,and Considerate Service”,our business mainly focus on the distribution of electronic components. Line cards we deal with include Microchip,ALPS,ROHM,Xilinx,Pulse,ON,Everlight and Freescale. Main products comprise IC,Modules,Potentiometer,IC Socket,Relay,Connector.Our parts cover such applications as commercial,industrial, and automotives areas.

We are looking forward to setting up business relationship with you and hope to provide you with the best service and solution. Let us make a better world for our industry!



Contact us

Tel: +86-755-8981 8866 Fax: +86-755-8427 6832

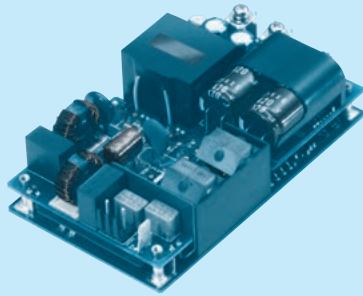
Email & Skype: info@chipsmall.com Web: www.chipsmall.com

Address: A1208, Overseas Decoration Building, #122 Zhenhua RD., Futian, Shenzhen, China



GHA300F

GH A 300 F -□□ -□
 ① ② ③ ④ ⑤ ⑥



Example recommended EMI/EMC filter
EAC-10-472



High voltage pulse noise type : EAP series
 Low leakage current type : EAM series
 * A higher current rating EMI/EMC filter may be recommended in view of the other devices that could be connected in parallel with the power supply.

- ① Series name
 - ② Single output
 - ③ Output wattage
 - ④ Universal input
 - ⑤ Output voltage
 - ⑥ Optional *6
- T3 : mounting hole M3
 J1 : VH(J.S.T.)connector type
 J3 : Horizontal input connector
 VH(J.S.T.)connector type
 R3 : with Subfeatures
 (5VAUX,12VAUX,Remote, Power good)

Specification is changed at option, refer to Instruction manual.

This power supply is manufactured by SMD technology. The stress to P.C.B like twisting or bending causes the defect of the unit, please handle the unit with care
 * Make sure necessary tests will be carried out on your end equipment with the power supply installed in accordance with any required EMC/EMI regulations.

MODEL	GHA300F-12		GHA300F-24		GHA300F-48	
MAX OUTPUT WATTAGE[W]	300		300		302.4	
DC OUTPUT	Forced air Convection	at 50°C	12V 25A	24V 12.5A	48V 6.3A	
		at 40°C	12V 8.4A	24V 4.2A	48V 2.1A	
		at 50°C	12V 4.5A	24V 2.2A	48V 1.1A	

SPECIFICATIONS

	MODEL	GHA300F-12		GHA300F-24		GHA300F-48		
INPUT	VOLTAGE[V]	AC90 - 264 1 φ (output derating is required at AC90V -115V *3)						
	CURRENT[A]	ACIN 120V	3.3typ					
		ACIN 230V	1.8typ					
	FREQUENCY[Hz]	50 / 60 (47 - 63)						
	EFFICIENCY[%]	ACIN 120V	89typ		90typ		90typ	
		ACIN 230V	91typ		92typ		92typ	
	POWER FACTOR (Io=100%)	ACIN 120V	0.95typ					
		ACIN 230V	0.90typ					
INRUSH CURRENT[A]	ACIN 120V	20typ (Io=100%) (At cold start) (Ta=25°C)						
	ACIN 230V	40typ (Io=100%) (At cold start) (Ta=25°C)						
LEAKAGE CURRENT[ma]	0.125/0.250max (ACIN 120V/240V 60Hz,Io=100%, According to IEC60601-1)							
OUTPUT	VOLTAGE[V]	12		24		48		
	CURRENT[A]	Forced air	25.0		12.5		6.3	
		Convection	4.5		2.2		1.1	
	LINE REGULATION[mV] *4	48max		96max		192max		
	LOAD REGULATION[mV] *4	100max		150max		240max		
	RIPPLE[mVp-p] *1	0 to +50°C	240max		240max		300max	
		-20 to 0°C	320max		320max		400max	
	RIPPLE NOISE[mVp-p]*1	0 to +50°C	300max		300max		480max	
		-20 to 0°C	360max		360max		500max	
	TEMPERATURE REGULATION[mV]	0 to +50°C	120max		240max		480max	
		-20 to +50°C	150max		290max		600max	
	DRIFT[mV] *2	48max		96max		192max		
	START-UP TIME[ms]	500typ (ACIN 120V, Io=100%)						
	HOLD-UP TIME[ms]	16typ (ACIN 120V, Io=100%)						
OUTPUT VOLTAGE ADJUSTMENT RANGE[V]	10.80 to 13.20		21.60 to 26.40		43.20 to 52.80			
OUTPUT VOLTAGE SETTING[V]	12.00 to 12.48		24.00 to 24.96		48.00 to 49.92			
PROTECTION CIRCUIT AND OTHERS	OVERCURRENT PROTECTION	Works over 105% of rating and recovers automatically						
	OVERVOLTAGE PROTECTION[V]	13.80 to 16.80		27.60 to 33.60		55.20 to 67.20		
	AUX1 (12V1A)	Optional						
	AUX2 (5V1A)	Optional						
	REMOTE ON/OFF	Optional						
	PowerGood	Optional						
ISOLATION	INPUT-OUTPUT · RC · AUX *7	AC4,000V 1minute, Cutoff current = 10mA, DC500V 50MΩ min (At Room Temperature) 2MOPP						
	INPUT-FG	AC2,000V 1minute, Cutoff current = 10mA, DC500V 50MΩ min (At Room Temperature) 1MOPP						
	OUTPUT · RC · AUX-FG *7	AC500V 1minute, Cutoff current = 25mA, DC500V 50MΩ min (At Room Temperature)						
	OUTPUT-RC · AUX *7	AC500V 1minute, Cutoff current = 25mA, DC500V 50MΩ min (At Room Temperature)						
ENVIRONMENT	OPERATING TEMP., HUMID. AND ALTITUDE	-20 to +70°C, 20 - 90%RH (Non condensing), 3,000m (10,000feet) max *3						
	STORAGE TEMP., HUMID. AND ALTITUDE	-30 to +75°C, 20 - 90%RH (Non condensing), 9,000m (30,000feet) max						
	VIBRATION	10 - 55Hz, 19.6m/s ² (2G), 3minutes period, 60minutes each along X, Y and Z axis						
	IMPACT	196.1m/s ² (20G), 11ms, once each X, Y and Z axis						
SAFETY AND NOISE REGULATIONS	AGENCY APPROVALS	UL60950-1, ANSI/AAMI ES60601-1, C-UL(CSA60950-1, CAN/CSA60601-1), EN60950-1, EN60601-1 3rd, Complies with DEN-AN, IEC60601-1-2 4th Ed.						
	CONDUCTED NOISE	Complies with FCC-B, VCCI-B, CISPR11-B, CISPR22-B, EN55011-B, EN55022-B						
	HARMONIC ATTENUATOR	Complies with IEC61000-3-2 (class A) *5						
OTHERS	CASE SIZE/WEIGHT	76.2 X 35 X 127mm [3.0 X 1.4 X 5.0 inches] (W X H X D) / 400g max						
	COOLING METHOD	Convection, Forced air (Require external fan)						

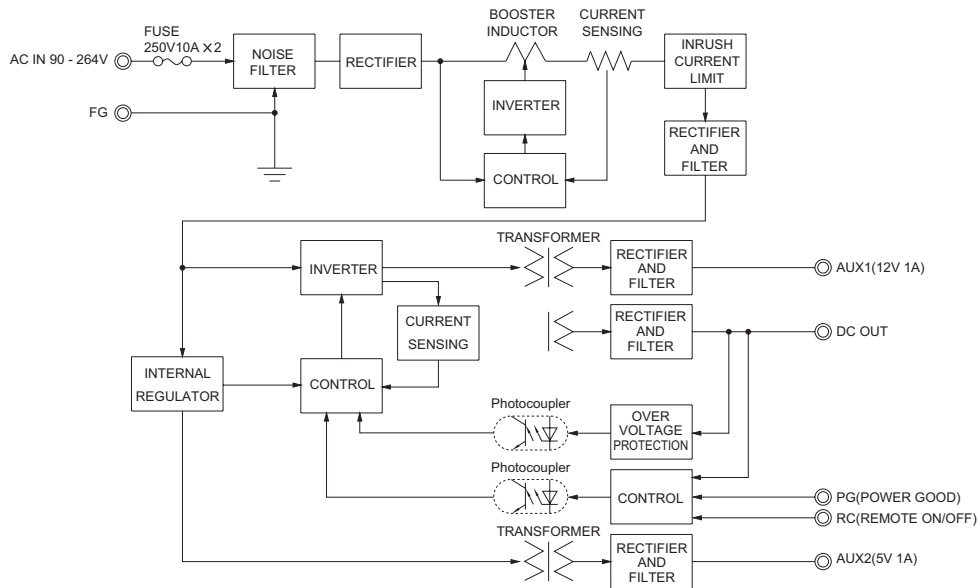
*1 This is the value that measured on measuring board with capacitor of 22 μF at 150mm from output terminal.
 Measured by 20MHz oscilloscope or Ripple-Noise meter (Equivalent to KEISOKU-GIKEN: RM103).
 *2 Drift is the change in DC output for an eight hour period after a half-hour warm-up at 25°C, with the input voltage held constant at the rated input/output.
 *3 Derating is required.
 *4 Please contact us about dynamic load and input response.
 *5 Please contact us about another class.

*6 Specification is changed at option, refer to Instruction Manual
 *7 Applicable when AUX and remote control (optional) is added.
 * To meet the specifications. Do not operate over-loaded condition.
 * Sound noise may be generated by power supply in case of pulse load.
 * Parallel operation is not possible.
 * Forced air cooling is required to output up to MAX OUTPUT WATTAGE.
 * Bottom layer P.C.B has electric potential which is required isolation from FG by clearance or creepage as the safety design issue.

Features

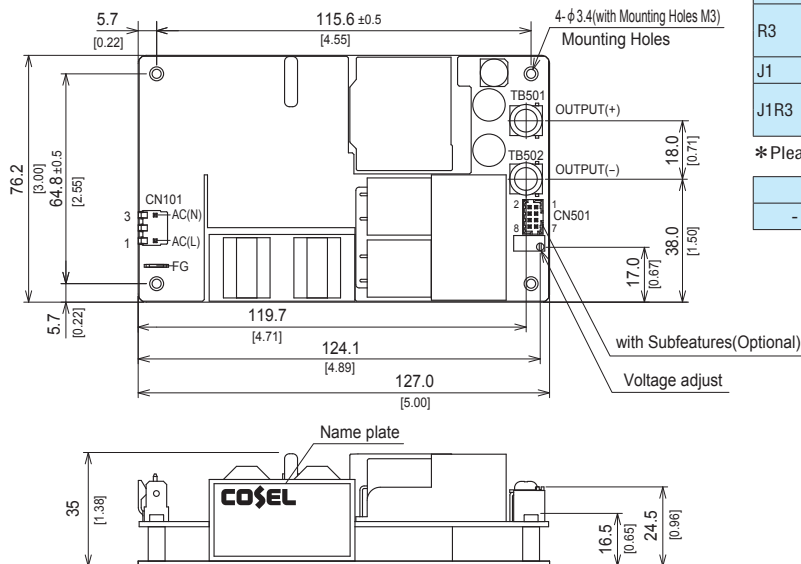
- High Power density: 14.3W/inch³
- High efficiency 92% typ (Input Voltage 230V, Output Voltage 24V)
- 3" × 5" standard footprint
- Fits 1U applications
- Industrial and Medical safety approvals
- Low leakage current
- With Remote On/Off (Optional)
- With AUX1 (12V), AUX2 (5V) (Optional)
- No minimum load is required

Block diagram



External view

*External size of option J3 is different from standard model and refer to 5 Option and Others of instruction manual for details.



- ※ Tolerance ± 1 [± 0.04]
- ※ Weight : 400g max
- ※ There is a total of four attachment holes.
- ※ This power supply requires mounting on metal standoffs 5mm in height. (Insulating sheet is required if you do not use a spacer).
- ※ Dimensions in mm, []=inches
- ※ Screw tightening torque : (TB501, 502) : 1.5N · m max
- ※ Mounting torque : 0.6N · m max
- ※ Avoid contact between TB501 and 502 wiring with mounting parts.
- ※ Option : ~J1 : (J.S.T) connector type. Refer to Instruction Manual 5.

Connector		Mating connector	Terminal	Mfr	
Standard	CN101	A-41671-A03A197-2	09-50-8031	08-50-0105 08-65-0114	Molex *
R3	CN501	087831-0820	51110-0851	50394-8051	
J1	CN101	B2P3-VH	VHR-3N	SVH-21T-P1.1	J.S.T.
J1R3	CN501	B8B-PHDSS	PHDR-08VS	SPHD-002T-P0.5	

*Please note the pin position No.1 is different from Molex.

FG	Mating connector	Terminal	Mfr
-	250 Series	-	170603-2 Tyco Electronics

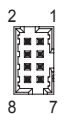
<Pin Assignments>

<CN101>

Pin No.	Input
1	AC(L)
2	
3	AC(N)

<CN501(Optional)>

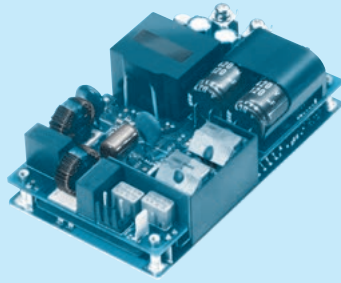
Pin No.	Function
1	AUX1 : AUX1 (12V1A)
2	AUX1G : AUX1 (GND)
3	RC : REMOTE ON/OFF
4	RCG : REMOTE ON/OFF (GND)
5	PG : Power good
6	PGG : Power good (GND)
7	AUX2 : AUX2 (5V1A)
8	AUX2G : AUX2 (GND)



CN501

GHA500F

GH A 500 F -□□ -□
 ① ② ③ ④ ⑤ ⑥



Example recommended EMI/EMC filter
EAC-10-472



High voltage pulse noise type : EAP series
 Low leakage current type : EAM series
 * A higher current rating EMI/EMC filter may be recommended in view of the other devices that could be connected in parallel with the power supply.

- ① Series name
- ② Single output
- ③ Output wattage
- ④ Universal input
- ⑤ Output voltage
- ⑥ Optional *6
- T3 : mounting hole M3
- J1 : VH(J.S.T.)connector type
- J3 : Horizontal input connector VH(J.S.T.)connector type
- R3 : with Subfeatures (5VAUX,12VAUX,Remote, Power good)
- P : Parallel Operation

This power supply is manufactured by SMD technology. The stress to P.C.B like twisting or bending causes the defect of the unit, please handle the unit with care
 *Make sure necessary tests will be carried out on your end equipment with the power supply installed in accordance with any required EMC/EMI regulations.

Specification is changed at option, refer to Instruction manual.

MODEL	GHA500F-12	GHA500F-15	GHA500F-24	GHA500F-30	GHA500F-48	GHA500F-56	
MAX OUTPUT WATTAGE[W]	500.4	501	504	501	504	504	
DC OUTPUT	Forced air Convection conduction cooling	at 50°C	12V 41.7A	15V 33.4A	24V 21.0A	30V 16.7A	48V 10.5A
		at 40°C	12V 12.5A	15V 10.0A	24V 6.3A	30V 5.0A	48V 3.2A
		at 50°C	12V 9.2A	15V 7.4A	24V 4.6A	30V 3.7A	48V 2.3A
		at 0°C	12V 30.0A	15V 24.0A	24V 15.0A	30V 12.0A	48V 7.5A
	at 50°C	12V 16.7A	15V 13.4A	24V 8.4A	30V 6.7A	48V 4.2A	

SPECIFICATIONS

MODEL	GHA500F-12	GHA500F-15	GHA500F-24	GHA500F-30	GHA500F-48	GHA500F-56			
INPUT	VOLTAGE[V]	AC90 - 264 1 φ (output derating is required at AC90V -115V *3)							
	CURRENT[A]	ACIN 120V	5.4typ						
		ACIN 230V	2.9typ						
	FREQUENCY[Hz]	50 / 60 (47 - 63)							
	EFFICIENCY[%]	ACIN 120V	88typ	90typ	90typ	90typ	90typ		
		ACIN 230V	90typ	92typ	92typ	92typ	92typ		
	POWER FACTOR (lo=100%)	ACIN 120V	0.95typ						
		ACIN 230V	0.90typ						
	INRUSH CURRENT[A]	ACIN 120V	20typ (lo=100%) (At cold start) (Ta=25°C)						
		ACIN 230V	40typ (lo=100%) (At cold start) (Ta=25°C)						
LEAKAGE CURRENT[mA]	0.125/0.250max (ACIN 120V/240V 60Hz,lo=100%, According to IEC60601-1)								
OUTPUT	VOLTAGE[V]	12	15	24	30	48	56		
	CURRENT[A]	Forced air	41.7	33.4	21.0	16.7	10.5	9.0	
		Convection	9.2	7.4	4.6	3.7	2.3	1.9	
		conduction cooling	16.7	13.4	8.4	6.7	4.2	3.6	
	LINE REGULATION[mV]	*4	48max	60max	96max	120max	192max	192max	
	LOAD REGULATION[mV]	*4	100max	120max	150max	180max	240max	240max	
	RIPPLE[mVp-p]	*1	0 to +50°C	240max	240max	240max	300max	300max	400max
		-20 - 0°C	320max	320max	320max	400max	400max	500max	
	RIPPLE NOISE[mVp-p]*1	0 to +50°C	300max	300max	300max	480max	480max	500max	
		-20 - 0°C	360max	360max	360max	500max	500max	580max	
TEMPERATURE REGULATION[mV]	0 to +50°C	120max	150max	240max	300max	480max	480max		
	-20 to +50°C	150max	180max	290max	360max	600max	600max		
DRIFT[mV]	*2	48max	60max	96max	120max	192max	192max		
START-UP TIME[ms]	500typ (ACIN 120V, lo=100%)								
HOLD-UP TIME[ms]	16typ (ACIN 120V, lo=100%)								
OUTPUT VOLTAGE ADJUSTMENT RANGE[V]	10.80 to 13.20	13.50 to 16.50	21.60 to 26.40	27.00 to 31.50	43.20 to 52.80	52.00 to 56.00			
OUTPUT VOLTAGE SETTING[V]	12.00 to 12.48	15.00 to 15.30	24.00 to 24.96	30.00 to 31.20	48.00 to 49.92	55.00 to 56.00			
PROTECTION CIRCUIT AND OTHERS	OVERCURRENT PROTECTION	Works over 105% of rating and recovers automatically							
	OVERVOLTAGE PROTECTION[V]	13.80 to 16.80	17.25 to 21.00	27.60 to 33.60	34.50 to 42.00	55.20 to 67.20	60.00 to 69.00		
	AUX1 (12V1A)	Optional							
	AUX2 (5V1A)	Optional							
	REMOTE ON/OFF	Optional							
PowerGood	Optional								
ISOLATION	INPUT-OUTPUT · RC · AUX	*7 AC4,000V 1minute, Cutoff current = 10mA, DC500V 50MΩ min (At Room Temperature) 2MOPP							
	INPUT-FG	AC2,000V 1minute, Cutoff current = 10mA, DC500V 50MΩ min (At Room Temperature) 1MOPP							
	OUTPUT · RC · AUX-FG	*7 AC500V 1minute, Cutoff current = 25mA, DC500V 50MΩ min (At Room Temperature)							
	OUTPUT-RC · AUX	*7 AC500V 1minute, Cutoff current = 25mA, DC500V 50MΩ min (At Room Temperature)							
ENVIRONMENT	OPERATING TEMP., HUMID. AND ALTITUDE	-20 to +80°C, 20 - 90%RH (Non condensing), 3,000m (10,000feet) max							
	STORAGE TEMP., HUMID. AND ALTITUDE	-30 to +80°C, 20 - 90%RH (Non condensing), 9,000m (30,000feet) max							
	VIBRATION	10 - 55Hz, 19.6m/s ² (2G), 3minutes period, 60minutes each along X, Y and Z axis							
	IMPACT	196.1m/s ² (20G), 11ms, once each X, Y and Z axis							
SAFETY AND NOISE REGULATIONS	AGENCY APPROVALS	UL60950-1, ANSI/AAMI ES60601-1, C-UL(CSA60950-1, CAN/CSA60601-1), EN60950-1, EN60601-1 3rd, Complies with DEN-AN, IEC60601-1-2 4th Ed.							
	CONDUCTED NOISE	Complies with FCC-B, VCCI-B, CISPR11-B, CISPR22-B, EN55011-B, EN55022-B							
	HARMONIC ATTENUATOR	Complies with IEC61000-3-2 (class A) *5							
OTHERS	CASE SIZE/WEIGHT	76.2 X 35 X 127mm [3.0 X 1.4 X 5.0 inches] (W X H X D) / 420g max							
	COOLING METHOD	Convection, Forced air (Require external fan), Conduction cooling							

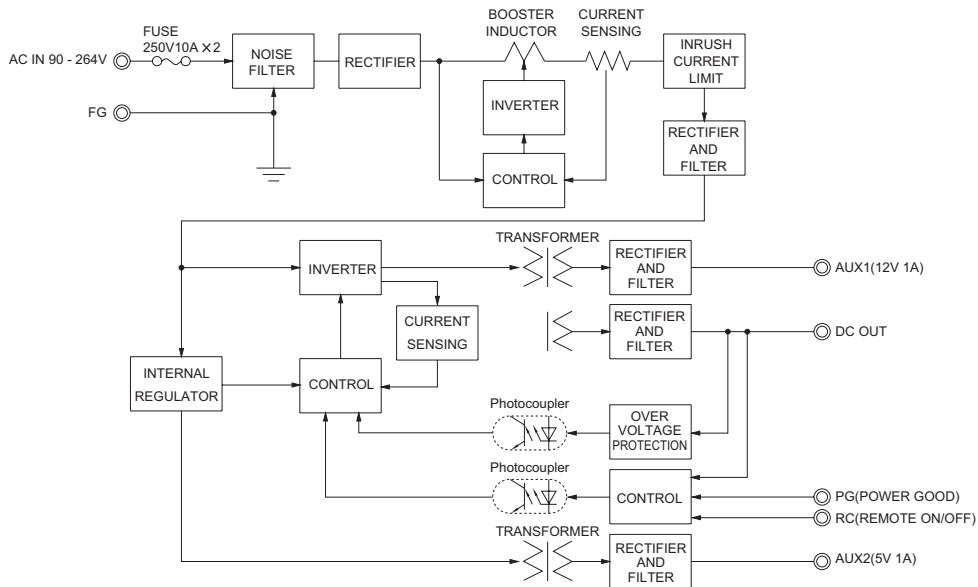
*1 This is the value that measured on measuring board with capacitor of 22 μF at 150mm from output terminal.
 Measured by 20MHz oscilloscope or Ripple-Noise meter (Equivalent to KEISOKU-GIKEN: RM103).
 *2 Drift is the change in DC output for an eight hour period after a half-hour warm-up at 25°C, with the input voltage held constant at the rated input/output.
 *3 Derating is required.
 *4 Please contact us about dynamic load and input response.

*5 Please contact us about another class.
 *6 Specification is changed at option, refer to Instruction Manual.
 *7 Applicable when AUX and remote control (optional) is added.
 * To meet the specifications. Do not operate over-loaded condition.
 * Sound noise may be generated by power supply in case of pulse load.
 * Parallel operation is available with -P option. Refer to 5.1 on the instruction manual.
 * Forced air cooling is required to output up to MAX OUTPUT WATTAGE.

Features

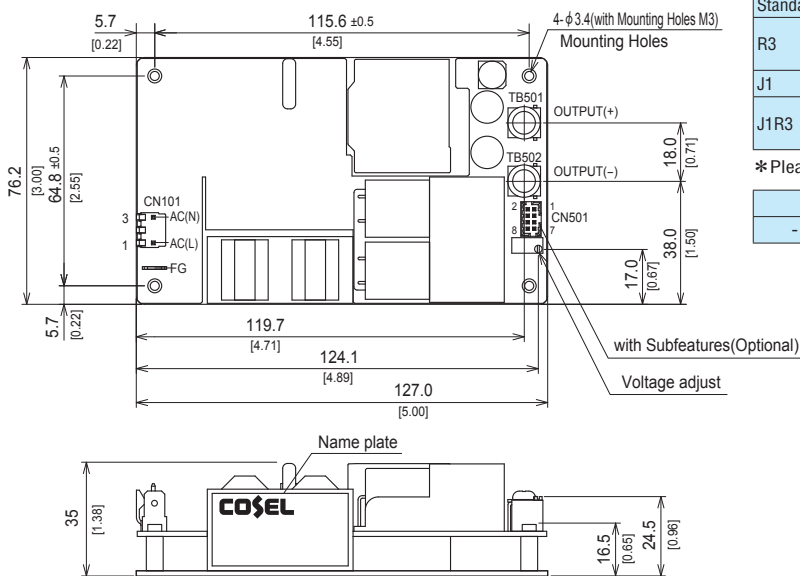
- **Wattage 500W max**
- **High Power density:24.1W/inch³**
- **High efficiency 92% typ (Input Voltage 230V,Output Voltage 24V)**
- **Conduction cooling**
- **3" × 5" standard footprint**
- **Fits 1U applications**
- **Industrial and Medical safety approvals**
- **Low leakage current**
- **With Remote On/Off (Optional)**
- **With AUX1 (12V), AUX2 (5V) (Optional)**
- **No minimum load is required**

Block diagram



External view

*External size of option J3 is different from standard model and refer to 5 Option and Others of instruction manual for details.



- ※ Tolerance ±1 [±0.04]
- ※ Weight : 420g max
- ※ There is a total of four attachment holes.
- ※ Base Plate : Aluminum
- ※ Dimensions in mm, []=inches
- ※ Screw tightening torque : (TB501, 502) : 1.5N · m max
- ※ Mounting torque : 0.6N · m max
- ※ Avoid contact between TB501 and 502 wiring with mounting parts.
- ※ Option : -J1 : (J.S.T) connector type. Refer to Instruction Manual 5.

Connector		Mating connector	Terminal	Mfr	
Standard	CN101	A-41671-A03A197-2	09-50-8031	08-50-0105 08-65-0114	Molex *
	CN501	087831-0820	51110-0851	50394-8051	
R3	CN101	B2P3-VH	VHR-3N	SVH-21T-P1.1	J.S.T.
	CN501	B8B-PHDS	PHDR-08VS	SPHD-002T-P0.5	

*Please note the pin position No.1 is different from Molex.

FG	Mating connector	Terminal	Mfr
-	250 Series	-	170603-2 Tyco Electronics

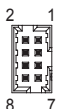
<Pin Assignments>

<CN101>

Pin No.	Input
1	AC(L)
2	
3	AC(N)

<CN501(Optional)>

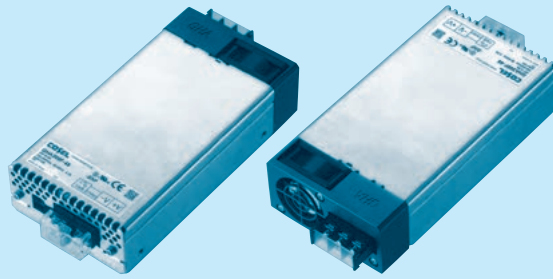
Pin No.	Function
1	AUX1 : AUX1 (12V1A)
2	AUX1G: AUX1 (GND)
3	RC : REMOTE ON/OFF
4	RCG : REMOTE ON/OFF (GND)
5	PG : Power good
6	PGG : Power good (GND)
7	AUX2 : AUX2 (5V1A)
8	AUX2G: AUX2 (GND)



CN501

GHA300F-SNF

GH A 300 F -□□ -SNF□
 ① ② ③ ④ ⑤ ⑥



Example recommended EMI/EMC filter
EAC-10-472



High voltage pulse noise type : EAP series
 Low leakage current type : EAM series
 * A higher current rating EMI/EMC filter may be recommended in view of the other devices that could be connected in parallel with the power supply.

- ① Series name
- ② Single output
- ③ Output wattage
- ④ Universal input
- ⑤ Output voltage
- ⑥ Optional *6
- J1 : CN501
PH(J.S.T.)connector type

Refer to the instruction manual 5.1.

*Make sure necessary tests will be carried out on your end equipment with the power supply installed in accordance with any required EMC/EMI regulations.

MODEL	GHA300F-12-SNF	GHA300F-24-SNF	GHA300F-48-SNF
MAX OUTPUT WATTAGE[W]	300	300	302.4
DC OUTPUT	Forced air +50°C 12V 25.0A	24V 12.5A	48V 6.3A

SPECIFICATIONS

	MODEL	GHA300F-12-SNF	GHA300F-24-SNF	GHA300F-48-SNF	
INPUT	VOLTAGE[V]	AC90 - 264 1 φ (output derating is required at AC90V -115V *3)			
	CURRENT[A]	ACIN 120V	3.3typ		
		ACIN 230V	1.8typ		
	FREQUENCY[Hz]	50 / 60 (47 - 63)			
	EFFICIENCY[%]	ACIN 120V	88typ	89typ	89typ
		ACIN 230V	90typ	91typ	91typ
	POWER FACTOR (Io=100%)	ACIN 120V	0.95typ		
		ACIN 230V	0.90typ		
INRUSH CURRENT[A]	ACIN 120V	20typ (Io=100%) (At cold start) (Ta=25°C)			
	ACIN 230V	40typ (Io=100%) (At cold start) (Ta=25°C)			
LEAKAGE CURRENT[mA]	0.125/0.250max (ACIN 120V/240V 60Hz, Io=100%, According to IEC60601-1)				
OUTPUT	VOLTAGE[V]	12	24	48	
	CURRENT[A]	Forced air 25.0	12.5	6.3	
	LINE REGULATION[mV]	*4 48max	96max	192max	
	LOAD REGULATION[mV]	*4 100max	150max	240max	
	RIPPLE[mVp-p] *1	0 to +50°C	240max	240max	300max
		-20 - 0°C	320max	320max	400max
	RIPPLE NOISE[mVp-p]*1	0 to +50°C	300max	300max	480max
		-20 - 0°C	360max	360max	500max
	TEMPERATURE REGULATION[mV]	0 to +50°C	120max	240max	480max
		-20 to +50°C	150max	290max	600max
	DRIFT[mV]	*2 48max	96max	192max	
	START-UP TIME[ms]	500typ (ACIN 120V, Io=100%)			
	HOLD-UP TIME[ms]	16typ (ACIN 120V, Io=100%)			
	OUTPUT VOLTAGE ADJUSTMENT RANGE[V]	10.80 to 13.20	21.60 to 26.40	43.20 to 52.80	
OUTPUT VOLTAGE SETTING[V]	12.00 to 12.48	24.00 to 24.96	48.00 to 49.92		
PROTECTION CIRCUIT AND OTHERS	OVERCURRENT PROTECTION	Works over 105% of rating and recovers automatically *7			
	OVERVOLTAGE PROTECTION[V]	13.80 to 16.80	27.60 to 33.60	55.20 to 67.20	
	AUX1	10V 0.5A			
	AUX2	5V 1A			
	REMOTE ON/OFF	Possible, AUX2 is available			
PowerGood	Open corrector				
ISOLATION	INPUT-OUTPUT · RC · AUX	AC4,000V 1minute, Cutoff current = 10mA, DC500V 50MΩ min (At Room Temperature) 2MOPP			
	INPUT-FG	AC2,000V 1minute, Cutoff current = 10mA, DC500V 50MΩ min (At Room Temperature) 1MOPP			
	OUTPUT · RC · AUX-FG	AC500V 1minute, Cutoff current = 25mA, DC500V 50MΩ min (At Room Temperature)			
	OUTPUT-RC · AUX	AC500V 1minute, Cutoff current = 25mA, DC500V 50MΩ min (At Room Temperature)			
ENVIRONMENT	OPERATING TEMP., HUMID. AND ALTITUDE	-20 to +70°C, 20 - 90%RH (Non condensing), 3,000m (10,000feet) max *3			
	STORAGE TEMP., HUMID. AND ALTITUDE	-30 to +75°C, 20 - 90%RH (Non condensing), 9,000m (30,000feet) max			
	VIBRATION	10 - 55Hz, 19.6m/s ² (2G), 3minutes period, 60minutes each along X, Y and Z axis			
	IMPACT	196.1m/s ² (20G), 11ms, once each X, Y and Z axis			
SAFETY AND NOISE REGULATIONS	AGENCY APPROVALS	UL60950-1, ANSI/AAMI ES60601-1, C-UL(CSA60950-1, CAN/CSA60601-1), EN60950-1, EN60601-1 3rd, Complies with DEN-AN, IEC60601-1-2 4th Ed.			
	CONDUCTED NOISE	Complies with FCC-B, VCCI-B, CISPR11-B, CISPR22-B, EN55011-B, EN55022-B			
	HARMONIC ATTENUATOR	Complies with IEC61000-3-2 (class A) *5			
OTHERS	CASE SIZE/WEIGHT	85.2 × 41 × 165.3mm [3.35 × 1.61 × 6.5 inches] (W × H × D) / 620g max			
	COOLING METHOD	Forced air			

*1 This is the value that measured on measuring board with capacitor of 22 μF at 150mm from output terminal.

Measured by 20MHz oscilloscope or Ripple-Noise meter (Equivalent to KEISOKU-GIKEN: RM103).

*2 Drift is the change in DC output for an eight hour period after a half-hour warm-up at 25°C, with the input voltage held constant at the rated input/output.

*3 Derating is required.

*4 Please contact us about dynamic load and input response.

*5 Please contact us about another class.

*6 Specification is changed at option, refer to Instruction Manual.

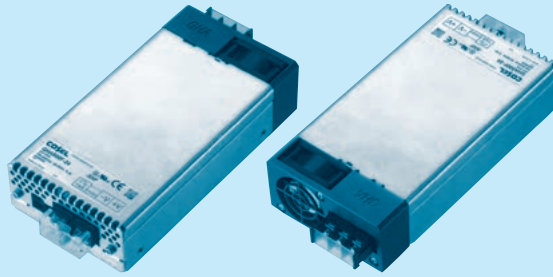
*7 When output current more than rated, output will shut down after 5 seconds or more. Recycle input after 3 minutes to reset the protection.

* To meet the specifications. Do not operate over-loaded condition.

* Sound noise may be generated by power supply in case of pulse load.

GHA500F-SNF

GH A 500 F -□□ -SNF□
 ① ② ③ ④ ⑤ ⑥



Example recommended EMI/EMC filter
EAC-10-472



High voltage pulse noise type : EAP series
 Low leakage current type : EAM series
 * A higher current rating EMI/EMC filter may be recommended in view of the other devices that could be connected in parallel with the power supply.

- ① Series name
 - ② Single output
 - ③ Output wattage
 - ④ Universal input
 - ⑤ Output voltage
 - ⑥ Optional *6
- J1 : CN501
 PH(J.S.T.)connector type
 P : Parallel Operation

Refer to the instruction manual 5.1.

*Make sure necessary tests will be carried out on your end equipment with the power supply installed in accordance with any required EMC/EMI regulations.

MODEL	GHA500F-12-SNF	GHA500F-15-SNF	GHA500F-24-SNF	GHA500F-30-SNF	GHA500F-48-SNF	GHA500F-56-SNF	
MAX OUTPUT WATTAGE[W]	450	501	504	501	504	504	
DC OUTPUT	Forced air +50°C	12V 37.5A	15V 33.4A	24V 21.0A	30V 16.7A	48V 10.5A	56V 9.0A

SPECIFICATIONS

	MODEL	GHA500F-12-SNF	GHA500F-15-SNF	GHA500F-24-SNF	GHA500F-30-SNF	GHA500F-48-SNF	GHA500F-56-SNF					
INPUT	VOLTAGE[V]	AC90 - 264 1 φ (output derating is required at AC90V -115V *3)										
	CURRENT[A]	ACIN 120V	4.8typ	5.4typ								
		ACIN 230V	2.6typ	2.9typ								
	FREQUENCY[Hz]	50 / 60 (47 - 63)										
	EFFICIENCY[%]	ACIN 120V	87typ	89typ	89typ	89typ	89typ	89typ				
		ACIN 230V	89typ	91typ	91typ	91typ	91typ	91typ				
	POWER FACTOR (Io=100%)	ACIN 120V	0.95typ									
		ACIN 230V	0.90typ									
INRUSH CURRENT[A]	ACIN 120V	20typ (Io=100%) (At cold start) (Ta=25°C)										
	ACIN 230V	40typ (Io=100%) (At cold start) (Ta=25°C)										
LEAKAGE CURRENT[mA]	0.125/0.250max (ACIN 120V/240V 60Hz,Io=100%, According to IEC60601-1)											
OUTPUT	VOLTAGE[V]	12	15	24	30	48	56					
	CURRENT[A]	Forced air	37.5	33.4	21.0	16.7	10.5	9.0				
	LINE REGULATION[mV]	*4	48max	60max	96max	120max	192max	192max				
	LOAD REGULATION[mV]	*4	100max	120max	150max	180max	240max	240max				
	RIPPLE[mVp-p]	*1	0 to +50°C	240max	240max	240max	300max	300max	400max			
		-20 - 0°C	320max	320max	320max	400max	400max	500max				
	RIPPLE NOISE[mVp-p]*1	0 to +50°C	300max	300max	300max	480max	480max	500max				
		-20 - 0°C	360max	360max	360max	500max	500max	580max				
	TEMPERATURE REGULATION[mV]	0 to +50°C	120max	150max	240max	300max	480max	480max				
		-20 to +50°C	150max	180max	290max	360max	600max	600max				
	DRIFT[mV]	*2	48max	60max	96max	120max	192max	192max				
	START-UP TIME[ms]	500typ (ACIN 120V, Io=100%)										
	HOLD-UP TIME[ms]	16typ (ACIN 120V, Io=100%)										
	OUTPUT VOLTAGE ADJUSTMENT RANGE[V]	10.80 to 13.20		13.50 to 16.50		21.60 to 26.40		27.00 to 31.50		43.20 to 52.80		52.00 to 56.00
OUTPUT VOLTAGE SETTING[V]	12.00 to 12.48		15.00 to 15.30		24.00 to 24.96		30.00 to 31.20		48.00 to 49.92		55.00 to 56.00	
PROTECTION CIRCUIT AND OTHERS	OVERCURRENT PROTECTION	Works over 105% of rating and recovers automatically *7										
	OVERVOLTAGE PROTECTION[V]	13.80 to 16.80	17.25 to 21.00	27.60 to 33.60	34.50 to 42.00	55.20 to 67.20	60.00 to 69.00					
	AUX1	12V 0.5A										
	AUX2	5V 1A										
	REMOTE ON/OFF	Possible, AUX2 is available										
	PowerGood	Open corrector										
ISOLATION	INPUT-OUTPUT · RC · AUX	AC4,000V 1minute, Cutoff current = 10mA, DC500V 50MΩ min (At Room Temperature) 2MOPP										
	INPUT-FG	AC2,000V 1minute, Cutoff current = 10mA, DC500V 50MΩ min (At Room Temperature) 1MOPP										
	OUTPUT · RC · AUX-FG	AC500V 1minute, Cutoff current = 25mA, DC500V 50MΩ min (At Room Temperature)										
	OUTPUT-RC · AUX	AC500V 1minute, Cutoff current = 25mA, DC500V 50MΩ min (At Room Temperature)										
ENVIRONMENT	OPERATING TEMP.,HUMID.AND ALTITUDE	-20 to +70°C, 20 - 90%RH (Non condensing), 3,000m (10,000feet) max *3										
	STORAGE TEMP.,HUMID.AND ALTITUDE	-30 to +80°C, 20 - 90%RH (Non condensing), 9,000m (30,000feet) max										
	VIBRATION	10 - 55Hz, 19.6m/s ² (2G), 3minutes period, 60minutes each along X, Y and Z axis										
	IMPACT	196.1m/s ² (20G), 11ms, once each X, Y and Z axis										
SAFETY AND NOISE REGULATIONS	AGENCY APPROVALS	UL60950-1, ANSI/AAMI ES60601-1, C-UL(CSA60950-1, CAN/CSA60601-1), EN60950-1, EN60601-1 3rd, Complies with DEN-AN, IEC60601-1-2 4th Ed.										
	CONDUCTED NOISE	Complies with FCC-B, VCCI-B, CISPR11-B, CISPR22-B, EN55011-B, EN55022-B										
	HARMONIC ATTENUATOR	Complies with IEC61000-3-2 (class A) *5										
OTHERS	CASE SIZE/WEIGHT	85.2 X 41 X 165.3mm [3.35 X 1.61 X 6.5 inches] (W X H X D) / 660g max										
	COOLING METHOD	Forced air										

*1 This is the value that measured on measuring board with capacitor of 22 μF at 150mm from output terminal.

Measured by 20MHz oscilloscope or Ripple-Noise meter (Equivalent to KEISOKU-GIKEN: RM103).

*2 Drift is the change in DC output for an eight hour period after a half-hour warm-up at 25°C, with the input voltage held constant at the rated input/output.

*3 Derating is required.

*4 Please contact us about dynamic load and input response.

*5 Please contact us about another class.

*6 Specification is changed at option, refer to Instruction Manual.

*7 When output current more than rated, output will shut down after 5 seconds or more. Recycle input after 3 minutes to reset the protection.

* To meet the specifications. Do not operate over-loaded condition.

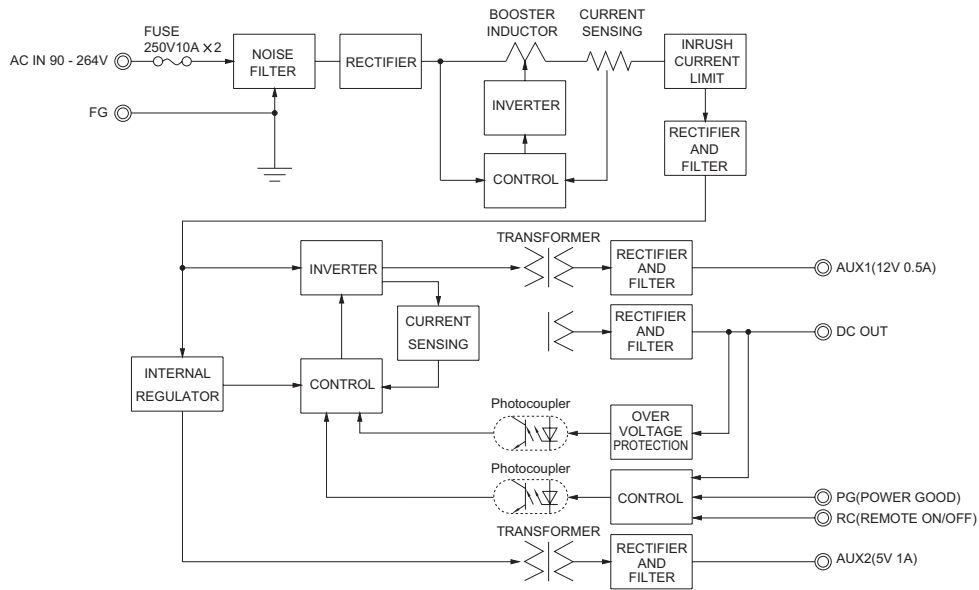
* Sound noise may be generated by power supply in case of pulse load.

* Parallel operation is available with -P option. Refer to 5.1 on the instruction manual.

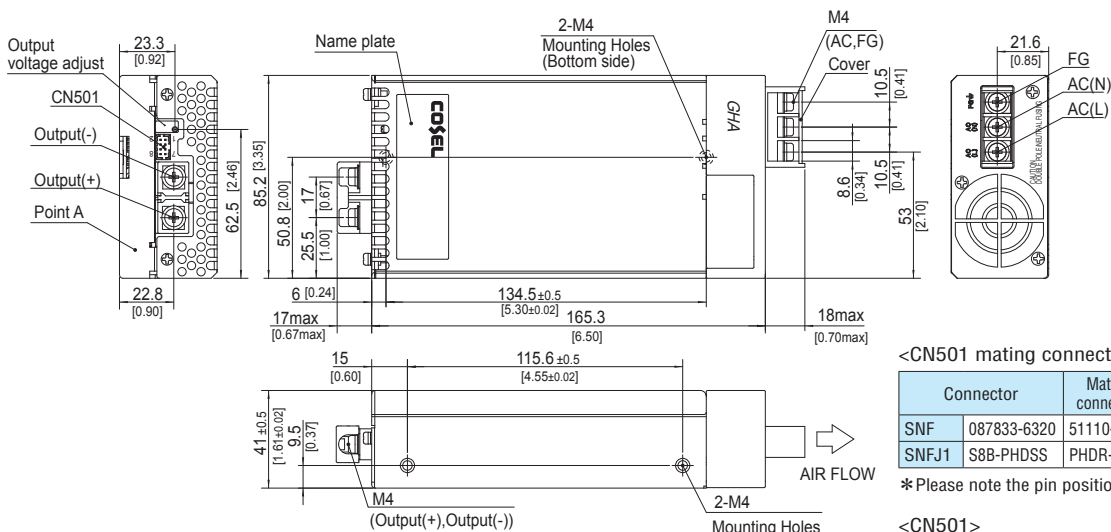
Features

- Full packaged design united with GHA's features, and additional robustness..
- High efficiency 91% typ (Input voltage 230V,Output voltage 24V)
- 50% minimized size compares with previous products.
- Optical for 1U applications
- Medical and Industrial safety approvals
- Low leakage current
- Conformal coating
- Single remote ON/OFF control for DC output, AUX1 and Fan.
- Isolated dual AUX (AUX1 12V 0.5A, AUX2 5V 1A)

Block diagram



External view



<CN501 mating connector and terminal>

Connector	Mating connector	Terminal	Mfr	
SNF	087833-6320	51110-0851	50394-8051	Molex *
SNFJ1	S8B-PHDS	PHDR-08VS	SPHD-002T-P0.5	J.S.T.

*Please note the pin position No.1 is different from Molex.

<CN501>

Pin No.	Function
1	AUX1 : AUX1 (12V0.5A)
2	AUX1G: AUX1 (GND)
3	RC : REMOTE ON/OFF
4	RCG : REMOTE ON/OFF (GND)
5	PG : Power good
6	PGG : Power good (GND)
7	AUX2 : AUX2 (5V1A)
8	AUX2G: AUX2 (GND)

- ※ Tolerance $\pm 1 [\pm 0.04]$
- ※ Weight : 660g max
- ※ Upper PCB Material/thickness : FR-4/1.6mm
- ※ Lower PCB Material/thickness : AL/1.5mm
- ※ Chassis Material/thickness : Aluminum/1.5mm
- ※ Cover Material/thickness : Aluminum/1.2mm
- ※ Fan cover Material : PBT
- ※ Mounting torque : 1.5N · m (14.7kgf · cm) max
- ※ Screw tightening torque M4 : 1.6N · m (16.9kgf · cm) max
- ※ Dimensions in mm, []=inches

