



Chipsmall Limited consists of a professional team with an average of over 10 year of expertise in the distribution of electronic components. Based in Hongkong, we have already established firm and mutual-benefit business relationships with customers from,Europe,America and south Asia,supplying obsolete and hard-to-find components to meet their specific needs.

With the principle of "Quality Parts,Customers Priority,Honest Operation,and Considerate Service",our business mainly focus on the distribution of electronic components. Line cards we deal with include Microchip,ALPS,ROHM,Xilinx,Pulse,ON,Everlight and Freescale. Main products comprise IC,Modules,Potentiometer,IC Socket,Relay,Connector.Our parts cover such applications as commercial,industrial, and automotives areas.

We are looking forward to setting up business relationship with you and hope to provide you with the best service and solution. Let us make a better world for our industry!



Contact us

Tel: +86-755-8981 8866 Fax: +86-755-8427 6832

Email & Skype: info@chipsmall.com Web: www.chipsmall.com

Address: A1208, Overseas Decoration Building, #122 Zhenhua RD., Futian, Shenzhen, China



NOTES:

1. MATERIAL:
BODY - BRONZE (GUN METAL)
2. PARTS ARE cULus LISTED TO UL467 AS
GROUNDING & BONDING EQUIPMENT.
3. SEE WWW.PANDUIT.COM FOR PART NUMBER
SUFFIX DESIGNATION FOR PACKAGE SIZE.

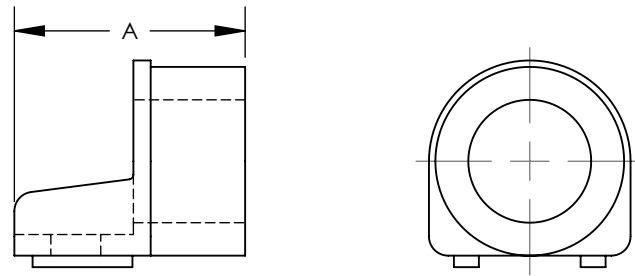
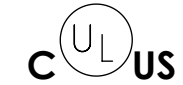


FIGURE 1

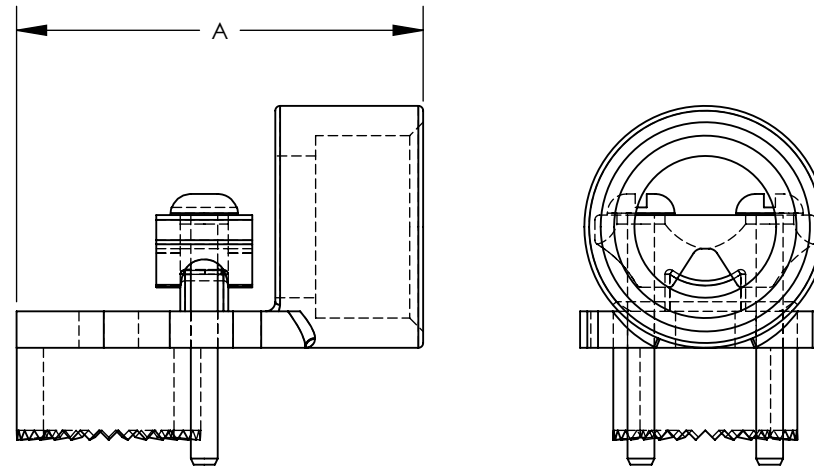


FIGURE 4

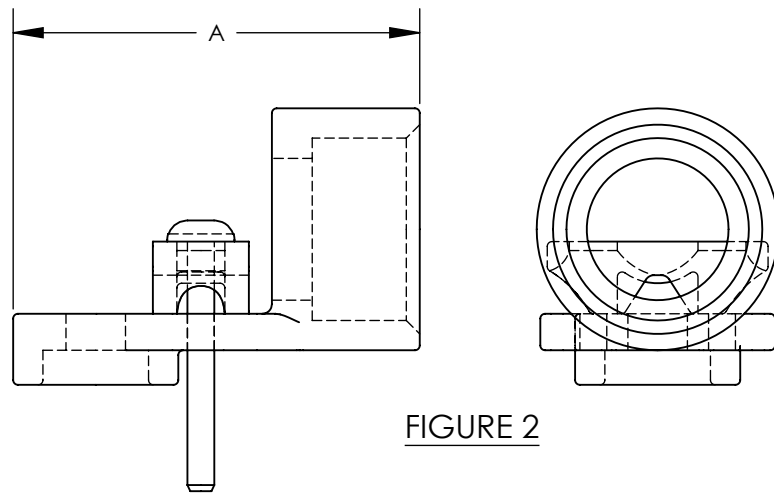


FIGURE 2

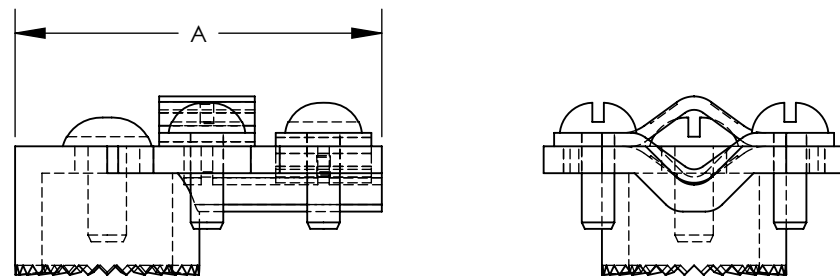


FIGURE 3

PART NUMBER	FIGURE	DESCRIPTION	WATER PIPE	GROUNDING WIRE	DIMENSIONS IN [mm] +/- .05 [1.3]
					A
GHC4-12	1	COPPER CONDUIT HUB	1/2"	8 - 4 STR	1.27 [32.3]
GHC4-34	1	COPPER CONDUIT HUB	3/4"	8 - 4 STR	1.51 [38.4]
GHC4-1	1	COPPER CONDUIT HUB	1"	8 - 4 STR	1.61 [40.9]
GHC2/0-12	2	COPPER GUILLOTINE TYPE CONDUIT HUB	1/2"	2/0 - 10 STR	1.98 [50.3]
GHC2/0-34	2	COPPER GUILLOTINE TYPE CONDUIT HUB	3/4"	10 - 2/0 STR	2.14 [54.4]
GHC3/0-1	2	COPPER GUILLOTINE TYPE CONDUIT HUB	1"	10 - 3/0 STR	2.16 [54.9]
GHCH4/0	3	HEAVY DUTY HUB FOR G SERIES PIPE CLAMP	N/A	N/A	1.89 [48.0]
GHCH2/0-12	4	COPPER GUILLOTINE TYPE CONDUIT HUB 360 DEG.	1/2"	10 - 2/0 STR	2.30 [58.4]
GHCH3/0-34	4	COPPER GUILLOTINE TYPE CONDUIT HUB 360 DEG.	3/4"	10 - 3/0 STR	2.42 [61.5]
GHCH3/0-1	4	COPPER GUILLOTINE TYPE CONDUIT HUB 360 DEG.	1"	10 - 3/0 STR	2.39 [60.7]

REV	DATE	BY	CHK	APR	DESCRIPTION	ECN
01	9/12	JHNU	SRBI	RGB	REVISED FIGURE 2 TO SHOW SCREWS	10J018AX-JC
00	7/12	JHNU	SRBI	RGB	DRAWING RELEASED	10J018AX-JC

TITLE		CONDUIT HUBS CUSTOMER DRAWING	
ITEM REVISION NAME	10J018AX/01	PANDUIT TM	
DATASET FILE NAME	10J018AX-JC/01.SLDDRW		
UNLESS OTHERWISE SPECIFIED, DIMENSIONAL TOLERANCES ARE: IN [mm]		MATERIAL	
.X ±	.XXX ±	SEE NOTES	
.XX ±	ANGLES ±	DRAWING NUMBER 10J018AX-JC	
THIRD ANGLE PROJECTION		DRAWING NUMBER 10J018AX-JC	
DRAWN BY	DATE	CHK	SCALE
JHNU	7/12	SRBI	N/A
SHEET 1 OF 1		SIZE B	