



Chipsmall Limited consists of a professional team with an average of over 10 year of expertise in the distribution of electronic components. Based in Hongkong, we have already established firm and mutual-benefit business relationships with customers from,Europe,America and south Asia,supplying obsolete and hard-to-find components to meet their specific needs.

With the principle of “Quality Parts,Customers Priority,Honest Operation,and Considerate Service”,our business mainly focus on the distribution of electronic components. Line cards we deal with include Microchip,ALPS,ROHM,Xilinx,Pulse,ON,Everlight and Freescale. Main products comprise IC,Modules,Potentiometer,IC Socket,Relay,Connector.Our parts cover such applications as commercial,industrial, and automotives areas.

We are looking forward to setting up business relationship with you and hope to provide you with the best service and solution. Let us make a better world for our industry!



Contact us

Tel: +86-755-8981 8866 Fax: +86-755-8427 6832

Email & Skype: info@chipsmall.com Web: www.chipsmall.com

Address: A1208, Overseas Decoration Building, #122 Zhenhua RD., Futian, Shenzhen, China



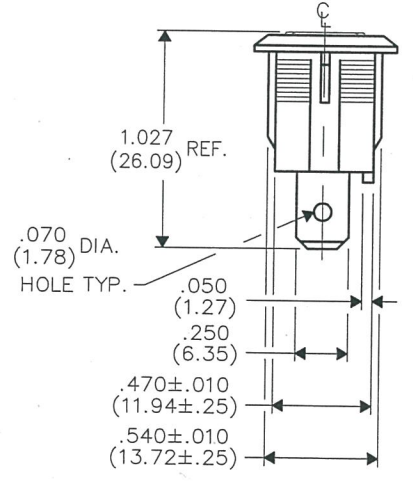
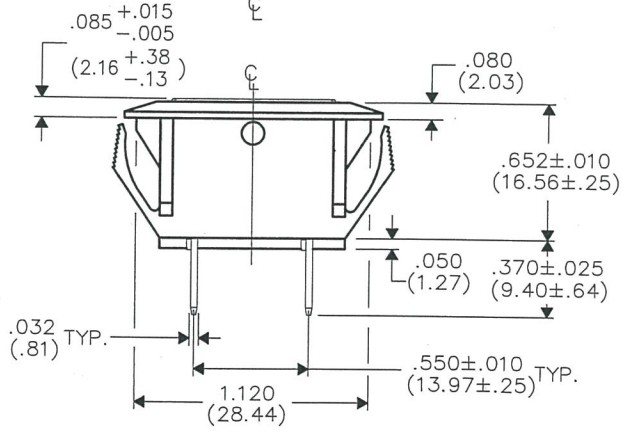
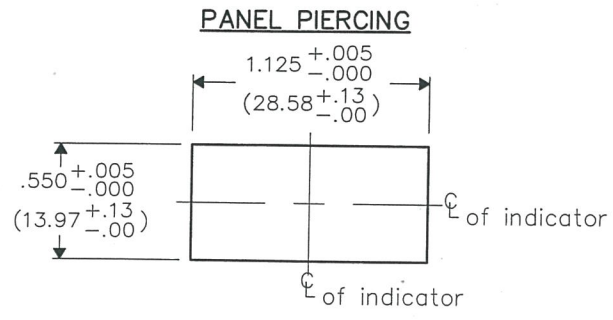
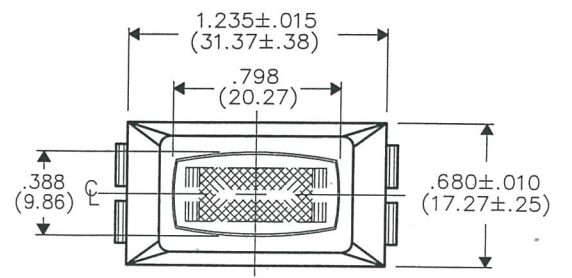
F
 D
 C
 B
 A

THIS INFORMATION IS CONFIDENTIAL AND PROPRIETARY TO CW INDUSTRIES INCORPORATED AND ITS AFFILIATES. IT MAY NOT BE DISCLOSED TO ANYONE OTHER THAN CW INDUSTRIES PERSONNEL, WITHOUT WRITTEN AUTHORIZATION FROM CW INDUSTRIES INCORPORATED, SOUTHAMPTON, PENNSYLVANIA, USA.

DIMENSIONS IN INCHES (MILLIMETERS)
 DO NOT SCALE DRAWING

Dwg. No. **GIL-2000-2017 Thru -2025**

Sheet 1 of 2



MATERIALS:

HOUSING: Black, Nylon 6/6 UL94V2
 TERMINALS: Copper Alloy
 LENS: Polycarbonate UL94V2
 Red, Amber or Green Options available.

SPECIFICATIONS:

LAMP TYPE: 14V & 28V - Incandescent
 125V - Neon
 LAMP LIFE: 10,000 Hrs. Minimum
 OPERATING TEMP: -40°C to +105°C Max.
 LEAD FREE/RoHS COMPLIANT

(Ref. Chart on Sheet 2 for Part No. and Specifications.)

| | | | | | | | | | | | |
|--|---|---|---|---|---|---|---|---|---|---|----|
| B-FORMAT 2002 | 0 | 1 | 2 | 3 | 4 | 5 | 6 | 7 | 8 | 9 | 10 |
| REVISIONS NEW. DGW 7-09-15 <i>CG</i> 7/10/15 | | | | | | | | | | | |

| | | | |
|--|--|---|--|
| CW INDUSTRIES Southampton, Pa. 18966 | | Title: PANEL MOUNT INDICATOR LIGHT 14/28/125 VOLT. | |
| TOLERANCES UNLESS OTHERWISE SPECIFIED 2 Place Decimal ±.010 METRIC 3 Place Decimal ±.005 1 Place Dec. ±.25mm Angles ±1' 2 Place Dec. ±.13mm | | | |
| Made for: CW Ind. | | Division: SWITCH | |
| Drawn by: DGW 7-09-15 | | Dwg. No. | |
| Checked by: <i>G. GOLD 7-9-15</i> | | GIL-2000-2017 Thru -2025 | |
| Approval: <i>CG 7/10/15</i> | | Sheet 1 of 2 | |

MASTER

F
 D
 C
 B
 A

THIS INFORMATION IS CONFIDENTIAL AND PROPRIETARY TO CW INDUSTRIES INCORPORATED AND ITS AFFILIATES. IT MAY NOT BE DISCLOSED TO ANYONE OTHER THAN CW INDUSTRIES PERSONNEL, WITHOUT WRITTEN AUTHORIZATION FROM CW INDUSTRIES INCORPORATED, SOUTHAMPTON, PENNSYLVANIA USA.

DIMENSIONS IN INCHES (MILLIMETERS)
DO NOT SCALE DRAWING

Dwg. No.
GIL-2000-2017 Thru -2025


Sheet
2
of
2

| PART NO. | VOLTAGE RATING | LENS COLOR MATERIAL | HOUSING COLOR MATERIAL | LAMP TYPE | PART NO. | VOLTAGE RATING | LENS COLOR MATERIAL | HOUSING COLOR MATERIAL | LAMP TYPE |
|---------------|----------------|---------------------|------------------------|-----------|---------------|----------------|---------------------|------------------------|-----------|
| GIL-2000-2017 | 14V | RED POLYCARBONATE | BLACK NYLON 6/6 | INCAND. | GIL-2000-2023 | 14V | GREEN POLYCARBONATE | BLACK NYLON 6/6 | INCAND. |
| GIL-2000-2018 | 28V | RED POLYCARBONATE | BLACK NYLON 6/6 | INCAND. | GIL-2000-2024 | 28V | GREEN POLYCARBONATE | BLACK NYLON 6/6 | INCAND. |
| GIL-2000-2019 | 125V | RED POLYCARBONATE | BLACK NYLON 6/6 | NEON | GIL-2000-2025 | 125V | GREEN POLYCARBONATE | BLACK NYLON 6/6 | NEON |
| GIL-2000-2020 | 14V | AMBER POLYCARBONATE | BLACK NYLON 6/6 | INCAND. | | | | | |
| GIL-2000-2021 | 28V | AMBER POLYCARBONATE | BLACK NYLON 6/6 | INCAND. | | | | | |
| GIL-2000-2022 | 125V | AMBER POLYCARBONATE | BLACK NYLON 6/6 | NEON | | | | | |

B-FORMAT 2002

REVISIONS
 0
 NEW.
 DGW 7-09-15
CE 7/14/15

| | | | | | | | | | |
|---|---|---|---|---|---|---|---|---|----|
| 1 | 2 | 3 | 4 | 5 | 6 | 7 | 8 | 9 | 10 |
|---|---|---|---|---|---|---|---|---|----|

| | | | | |
|----------|--|--|--|--|
| PDF MADE |  | | Title: PANEL MOUNT INDICATOR LIGHT 14/28/125 VOLT. CHART | |
| | TOLERANCES UNLESS OTHERWISE SPECIFIED 2 Place Decimal ±.010 METRIC 3 Place Decimal ±.005 1 Place Dec. ±.25mm Angles ±1' 2 Place Dec. ±.13mm | | Division: SWITCH | |
| | Made for: CW Ind. | | Dwg. No. GIL-2000-2017 Thru -2025 | |
| | Drawn by: DGW 7-09-15 Checked by: <i>G. GULD 7-9-15</i> Approval: <i>C. H. 7/14/15</i> | | Sheet 2 of 2 | |

MASTER