



Chipsmall Limited consists of a professional team with an average of over 10 year of expertise in the distribution of electronic components. Based in Hongkong, we have already established firm and mutual-benefit business relationships with customers from,Europe,America and south Asia,supplying obsolete and hard-to-find components to meet their specific needs.

With the principle of “Quality Parts,Customers Priority,Honest Operation,and Considerate Service”,our business mainly focus on the distribution of electronic components. Line cards we deal with include Microchip,ALPS,ROHM,Xilinx,Pulse,ON,Everlight and Freescale. Main products comprise IC,Modules,Potentiometer,IC Socket,Relay,Connector.Our parts cover such applications as commercial,industrial, and automotives areas.

We are looking forward to setting up business relationship with you and hope to provide you with the best service and solution. Let us make a better world for our industry!



Contact us

Tel: +86-755-8981 8866 Fax: +86-755-8427 6832

Email & Skype: info@chipsmall.com Web: www.chipsmall.com

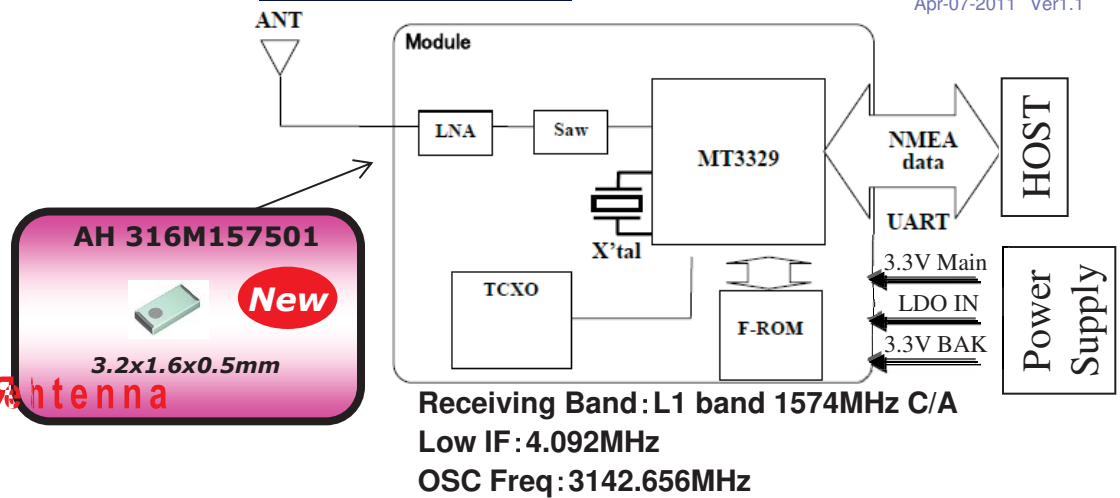
Address: A1208, Overseas Decoration Building, #122 Zhenhua RD., Futian, Shenzhen, China



Features GY5FFMAXX

- GPS Performance : NMEA Output
- Re-acquisition Sensitivity : -161dBm
- Tracking Sensitivity : -164dBm
- TTFF (Time To First Fix) : 1Sec @-130dBm
- A-GPS support
- SBAS, Extended Ephemeris support (BEE,EPO)
- Interface : UART
- Built-in High accuracy TCXO :0.5 ppm (16.368MHz)
- Built-in Ultra Low Noise AMP :0.7dB Noise Figure
- Built-in RTC : 32.768kHz
- Small Outline: 10.8 x 10.0 x 2.0(Max) mm
- Package: Metal case package
- RoHS Conformity

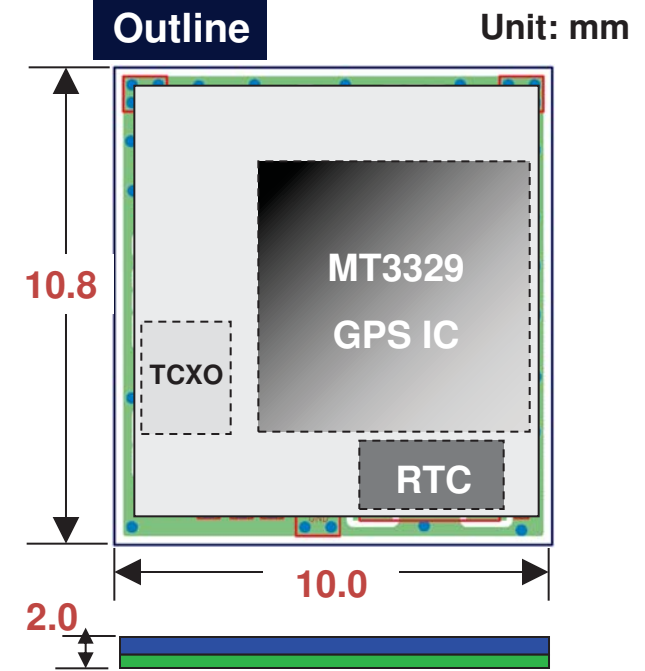
Block Diagram



General Electrical Specification

| No | Parameter | Symbol | Spec | | | Unit | Remark |
|----|---------------------------|--------|------|----------|------|------|------------------------|
| | | | Min | Typ | Max | | |
| 1 | Frequency | Fc | | 1575.42 | | MHz | C/A code |
| 2 | Intermediate frequency | IF | | 4.092 | | MHz | |
| 3 | Image Rejection Ratio | IRR | | 30 | | dB | |
| 4 | VCO Oscillation Frequency | Fosc | | 3142.656 | | MHz | |
| 5 | Noise Figure | NF | | 1.0 | 1.6 | dB | |
| 6 | Sensitivity | Hs | | -161 | -157 | dBm | Hot start sensitivity |
| | | Ws | | -147 | -144 | | Warm start sensitivity |
| | | Cs | | -145 | -142 | | Cold start sensitivity |
| | | Ts | | -164 | -161 | | Tracking sensitivity |
| 7 | TTFF | Ht | | 1.2 | 2.0 | sec | Hot start @-135dBm |
| | | Wt | | 34 | 45 | | Warm start@-135dBm |
| | | Ct | | 39 | 50 | | Cold start @-135dBm |
| | | | | | | | C/N=36dB Typ |
| 8 | Accuracy | Ha | | 2 | 10 | m | Hot start @-135dBm |
| | | Wa | | 2 | 10 | | Warm start@-135dBm |
| | | Ca | | 2 | 10 | | Cold start @-135dBm |

Outline



To Evaluate GPS Module GYSFFMAXX, You Will Need GKSFFMAXX

GKSFFMAXX is the evaluation kit for GPS Module **GYSFFMAXX**. This kit has everything you need to evaluate the performance of this module.

GKSFFMAXX Kit includes:

| No. | Item | Description | Qty |
|-----|------------------|--|-----|
| 1 | GKSFFMAXX | Evaluation Board for GPS Module GYSFFMAXX with USB interface | 1 |
| 2 | AH316M157501-E | Evaluation Board for Chip Antenna | 1 |
| 3 | Standoff | Standoff | 4 |
| 4 | Nut | Nut | 4 |
| 5 | Connector | Male to Male Connector | 1 |
| 6 | Red & Blue Cable | Power Supply Cable | 1 |
| 7 | CD | Evaluation Software | 1 |

