



Chipsmall Limited consists of a professional team with an average of over 10 year of expertise in the distribution of electronic components. Based in Hongkong, we have already established firm and mutual-benefit business relationships with customers from,Europe,America and south Asia,supplying obsolete and hard-to-find components to meet their specific needs.

With the principle of “Quality Parts,Customers Priority,Honest Operation,and Considerate Service”,our business mainly focus on the distribution of electronic components. Line cards we deal with include Microchip,ALPS,ROHM,Xilinx,Pulse,ON,Everlight and Freescale. Main products comprise IC,Modules,Potentiometer,IC Socket,Relay,Connector.Our parts cover such applications as commercial,industrial, and automotives areas.

We are looking forward to setting up business relationship with you and hope to provide you with the best service and solution. Let us make a better world for our industry!



Contact us

Tel: +86-755-8981 8866 Fax: +86-755-8427 6832

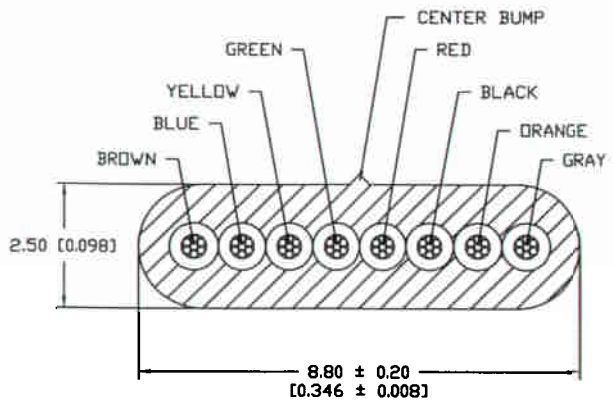
Email & Skype: info@chipsmall.com Web: www.chipsmall.com

Address: A1208, Overseas Decoration Building, #122 Zhenhua RD., Futian, Shenzhen, China

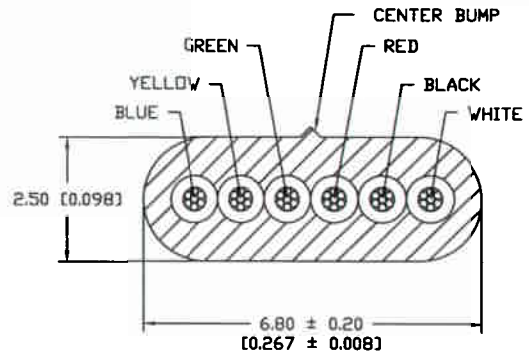


THESE DRAWINGS AND SPECIFICATIONS ARE THE SOLE PROPERTY OF I/O INTERCONNECT INC., U.S.A. AND SHALL NOT BE REPRODUCED, COPIED, OR USED IN ANY MANNER WITHOUT THE PRIOR WRITTEN CONSENT OF I/O INTERCONNECT INC. OR ITS AFFILIATED SUBSIDIARIES.

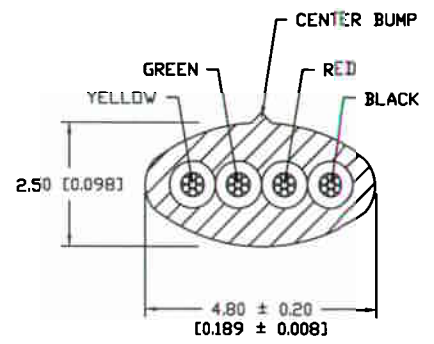
DWG. NO.	ZONE	REV.	DESCRIPTION	DATE	APPROVED
X10-0X1		Q	ECN C682	07/24/02	P.S.
		R	ADD NOTE & CHANGE P/N TO REFLECT ROHS COMPLIANT, CHANGE PACKING SPEC. PER ACTUAL DATA PER ECN D822	04/14/05	M.G.



8 CONDUCTOR CABLE



6 CONDUCTOR CABLE



4 CONDUCTOR CABLE

NOTES: UNLESS OTHERWISE SPECIFIED.

1.0 MATERIAL AND SPECIFICATIONS

1.01 CONDUCTORS: 26 AWG (12/0.12 mm) STRANDED BARE COPPER.

1.02 INSULATION: POLYPROPYLENE

1.03 COLOR: PER CALLOUT

1.04 PACKAGING: (SEE PAGE 2)

2.0 ELECTRICAL CHARACTERISTICS

2.01 TEMPERATURE & VOLTAGE RATING: 80°C 30 V

2.02 CONDUCTORS RESISTANCE: 148 OHMS/KM MAX. AT 20°C

2.03 INSULATION RESISTANCE: 100 MEGAOHMS/KM MIN. AT 20°C

2.04 CAPACITANCE: 15 PF/FT (MAX)

2.05 DIELECTRIC TEST: AC-500V PER 1 MINUTE

3.0 PLACE BAR CODE LABEL ON THE OUTSIDE OF EACH SHIPPING BOX LABEL DETAIL SEE DWG 090-990-001. FOR CUSTOMER CODE 4DGK ONLY.

4.0 PART TO BE ROHS COMPLAINT.

GLF-121-410-001	4	SILVER SATIN	[0.551 ± 0.039] 14.00 ± 1.00
GLF-121-410-011	4	BLACK	[0.551 ± 0.039] 14.00 ± 1.00
GLF-121-410-021	4	WHITE	[0.551 ± 0.039] 14.00 ± 1.00
GLF-121-610-001	6	SILVER SATIN	[0.551 ± 0.039] 14.00 ± 1.00
GLF-121-610-011	6	BLACK	[0.551 ± 0.039] 14.00 ± 1.00
GLF-121-610-021	6	WHITE	[0.551 ± 0.039] 14.00 ± 1.00
GLF-121-810-001	8	SILVER SATIN	[0.748 ± 0.039] 19.00 ± 1.00
GLF-121-810-011	8	BLACK	[0.748 ± 0.039] 19.00 ± 1.00
GLF-121-810-021	8	WHITE	[0.748 ± 0.039] 19.00 ± 1.00
I/O INTERCONNECT PART NUMBER	NUMBER OF CONDUCTORS	COLOR	Ø 'A'

THIRD ANGLE PROJECTION

UNLESS OTHERWISE NOTED:
1) DIMENSIONS ARE IN MILLIMETER [INCHES]
2) TOLERANCES:
X.X ± 10.0 [0.39]
X.XX ± 0.25 [0.01]

I/O INTERCONNECT
SANTA ANA, CALIFORNIA

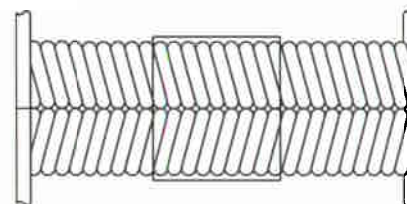
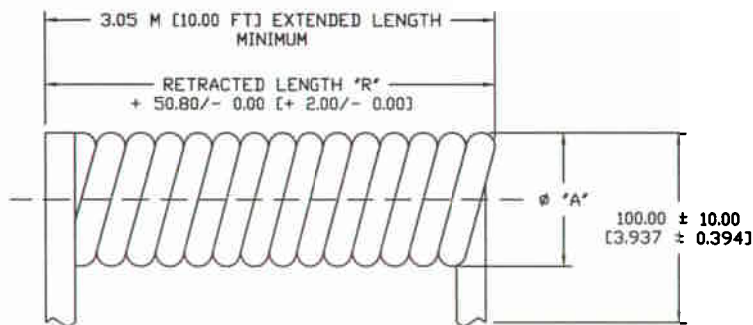
DR. BY: JERRY SUN 04/14/05
DR. CHECKER:
REV. R

TITLE: 26 AWG (12/0.12 mm) BARE COPPER, 10.00 FT EXTENDED, NON-UL, UNSHIELDED, MODULAR CABLE

PART NO: GLF-121-X10-0X1
DWG NO: GLF-121-X10-0X1
CUSTOMER: I/O INTERCONNECT
SCALE: NONE SHEET 1 OF 2

THESE DRAWINGS AND SPECIFICATIONS ARE THE SOLE PROPERTY OF I/O INTERCONNECT INC., U.S.A. AND SHALL NOT BE REPRODUCED, COPIED, OR USED IN ANY MANNER WITHOUT THE PRIOR WRITTEN CONSENT OF I/O INTERCONNECT INC. OR ITS AFFILIATED SUBSIDIARIES.

DWG. NO.	ZONE	REV.	DESCRIPTION	DATE	APPROVED
X10-0X1		Q	ECN C6B2	07/24/02	P.S.
		R	ADD NOTE & CHANGE P/N TO REFLECT ROHS COMPLIANT, CHANGE PACKAGING SPEC. PER ACTUAL DATA PER ECN D822	04/14/05	M.G.



BUNDLE SPECIFICATION

NOTES: UNLESS OTHERWISE SPECIFIED.

1.0 PACKAGING SPECIFICATION

- 1.01 USE CLEAR TAPE TO BUNDLE 25 CABLES TOGETHER AT THE MID SECTION.
- 1.02 PLACE PLASTIC BAG IN SHIPPING BOX, SEE TAB BLOCK FOR PACKAGING QUANTITY PER SHIPPING BOX. CLOSE PLASTIC BAG AND SEAL BOX ALONG 3 SURFACES WITH TAPE.
- 1.03 DIMENSION OF OUTSIDE SHIPPING BOX IS USED FOR REFERENCE ONLY.

4	762.00	[30.000]	L=13.00' X W=35.00' X H=9.00'	10 BUNDLE, 250 PCS
6	812.80	[32.000]	L=13.00' X W=35.00' X H=9.00'	10 BUNDLE, 250 PCS
8	1066.80	[42.000]	L=13.00' X W=45.00' X H=9.00'	5 BUNDLE, 125 PCS
CONDUCTORS NUMBER OF	MILLIMETERS	INCHES	DIMENSION MAX. OUTSIDE SHIPPING BOX	PACKAGING QUANTITY PER SHIPPING BOX

TABULATION BLOCK

THIRD ANGLE PROJECTION



UNLESS OTHERWISE NOTED:
 1) DIMENSIONS ARE IN MILLIMETER [INCHES]
 2) TOLERANCES:
 X.X ± 10.0 [0.39]
 X.XX ± 0.25 [0.01]

I/O INTERCONNECT
 SANTA ANA, CALIFORNIA

DR. BY: JERRY BIR	DATE: 04/14/05	TITLE: 26 AWG (12/0.12 mm) BARE COPPER, 10.00 FT EXTENDED, NON-UL, UNSHIELDED, MODULAR CABLE
DR. CHECKER:		
REV:		PART NO: GLF-121-X10-0X1
ENGINEER:		DWG NO: GLF-121-X10-0X1
DIST./SALES:		CUSTOMER: I/O INTERCONNECT
SA:		SCALE: NONE
		REV. R
		SHEET 2 OF 2