



Chipsmall Limited consists of a professional team with an average of over 10 year of expertise in the distribution of electronic components. Based in Hongkong, we have already established firm and mutual-benefit business relationships with customers from,Europe,America and south Asia,supplying obsolete and hard-to-find components to meet their specific needs.

With the principle of “Quality Parts,Customers Priority,Honest Operation,and Considerate Service”,our business mainly focus on the distribution of electronic components. Line cards we deal with include Microchip,ALPS,ROHM,Xilinx,Pulse,ON,Everlight and Freescale. Main products comprise IC,Modules,Potentiometer,IC Socket,Relay,Connector.Our parts cover such applications as commercial,industrial, and automotives areas.

We are looking forward to setting up business relationship with you and hope to provide you with the best service and solution. Let us make a better world for our industry!



Contact us

Tel: +86-755-8981 8866 Fax: +86-755-8427 6832

Email & Skype: info@chipsmall.com Web: www.chipsmall.com

Address: A1208, Overseas Decoration Building, #122 Zhenhua RD., Futian, Shenzhen, China

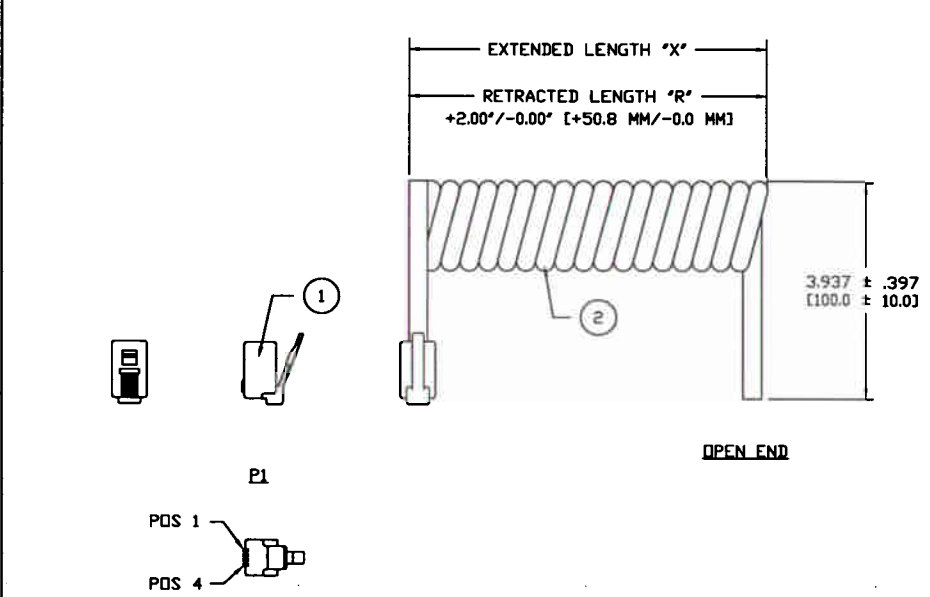


THESE DRAWINGS AND SPECIFICATIONS ARE THE SOLE PROPERTY OF I/O INTERCONNECT INC., U.S.A. AND SHALL NOT BE REPRODUCED, COPIED, OR USED IN ANY MANNER WITHOUT THE PRIOR WRITTEN CONSENT OF I/O INTERCONNECT INC. OR ITS AFFILIATED SUBSIDIARIES.

DWG. NO.	ZONE	REV.	DESCRIPTION	DATE	APPROVED
XX4-52X-D		C	ECN C285	08/20/01	K.C.
		D	ADD NOTE & CHANGE P/N TO ROHS COMPLIANT PER ECN D828	04/22/05	M.G.

WIRE DIAGRAM

P1	OPEN END
1	BLACK
2	RED
3	GREEN
4	YELLOW



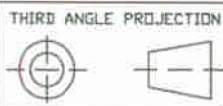
T.B.D.	GLF-444-144-525-D	GLF-121-410-022	14.0 FT [4.3 M]	34.0 IN [863.6 MM]	WHITE
T.B.D.	GLF-444-144-524-D	GLF-121-410-012	14.0 FT [4.3 M]	34.0 IN [863.6 MM]	BLACK
T.B.D.	GLF-444-144-523-D	GLF-121-410-002	14.0 FT [4.3 M]	34.0 IN [863.6 MM]	SILVER SATIN
T.B.D.	GLF-444-104-522-D	GLF-121-410-021	10.0 FT [3.0 M]	30.0 IN [762.0 MM]	WHITE
T.B.D.	GLF-444-104-521-D	GLF-121-410-011	10.0 FT [3.0 M]	30.0 IN [762.0 MM]	BLACK
T.B.D.	GLF-444-104-520-D	GLF-121-410-001	10.0 FT [3.0 M]	30.0 IN [762.0 MM]	SILVER SATIN
T.B.D.	GLF-444-074-525-D	GLF-121-410-020	7.0 FT [2.1 M]	21.0 IN [533.4 MM]	WHITE
H3442-07C-ND	GLF-444-074-524-D	GLF-121-410-010	7.0 FT [2.1 M]	21.0 IN [533.4 MM]	BLACK
T.B.D.	GLF-444-074-523-D	GLF-121-410-000	7.0 FT [2.1 M]	21.0 IN [533.4 MM]	SILVER SATIN
T.B.D.	GLF-444-054-522-D	GLF-121-410-023	5.0 FT [1.5 M]	17.0 IN [431.8 MM]	WHITE
T.B.D.	GLF-444-054-521-D	GLF-121-410-013	5.0 FT [1.5 M]	17.0 IN [431.8 MM]	BLACK
T.B.D.	GLF-444-054-520-D	GLF-121-410-003	5.0 FT [1.5 M]	17.0 IN [431.8 MM]	SILVER SATIN
DIGI-KEY PART NUMBER	IOI PART NUMBER	IOI CABLE PART NUMBER	EXTENDED LENGTH "X"	RETRACTED LENGTH "R"	COLOR

NOTES: UNLESS OTHERWISE SPECIFIED.

1. TEST CABLE FOR ALL OPENS & SHORTS.
2. PACKAGE CABLE ASSEMBLY INDIVIDUALLY IN PLASTIC BAG. PACKAGE INDIVIDUAL BAG PER LOT NUMBER QUANTITIES.
3. MARK OUTSIDE OF SHIPPING BOX WITH CUSTOMER PART NUMBER.
4. PLACE BAR CODE LABEL ON THE OUTSIDE OF EACH SHIPPING BOX LABEL DETAIL SEE DWG 090-990-001.
5. ALL METRICAL SHOULD BE ROHS COMPLIANT.

ITEM	QTY	MFG.	IOI PART NO.	DESCRIPTION
2	"X"	IOI	SEE "TABULATION BLOCK"	MODULAR COIL CABLE, 26 AWG (7/34) BARE COPPER, 4 CONDUCTOR, UNSHIELDED, PVC JACKET, (SEE TABULATION BLOCK FOR COLOR). ROHS COMPLIANT.
1	1 PC	IOI	GLF-325-441-50X	CONNECTOR, MODULAR PLUG, 4 POSITION, 4 CONDUCTOR, 50u Au, FLAT TYPE EXIT. ROHS COMPLIANT.

CABLE ASSEMBLY PARTS LIST



UNLESS OTHERWISE NOTED:
 1) DIMENSIONS ARE IN INCHES (MILLIMETER)
 2) TOLERANCES:
 .XXX ± 0.25 [6.35]

I/O INTERCONNECT
 SANTA ANA, CALIFORNIA

DATE: 04/22/05
 DRAWN BY: JERRY SUN
 CHECKED BY: M. GRIFFIN
 CUSTOMER: DIGI-KEY

TITLE: 4P4C COIL CABLE TO OPEN END, CABLE ASSEMBLY P/N: H344X-XXC-ND
 PART NO: GLF-444-XX4-52X-D
 DWG NO: GLF-444-XX4-52X-D

SCALE: NONE SHEET 1 OF 1