



Chipsmall Limited consists of a professional team with an average of over 10 year of expertise in the distribution of electronic components. Based in Hongkong, we have already established firm and mutual-benefit business relationships with customers from,Europe,America and south Asia,supplying obsolete and hard-to-find components to meet their specific needs.

With the principle of “Quality Parts,Customers Priority,Honest Operation,and Considerate Service”,our business mainly focus on the distribution of electronic components. Line cards we deal with include Microchip,ALPS,ROHM,Xilinx,Pulse,ON,Everlight and Freescale. Main products comprise IC,Modules,Potentiometer,IC Socket,Relay,Connector.Our parts cover such applications as commercial,industrial, and automotives areas.

We are looking forward to setting up business relationship with you and hope to provide you with the best service and solution. Let us make a better world for our industry!



## Contact us

Tel: +86-755-8981 8866 Fax: +86-755-8427 6832

Email & Skype: info@chipsmall.com Web: www.chipsmall.com

Address: A1208, Overseas Decoration Building, #122 Zhenhua RD., Futian, Shenzhen, China

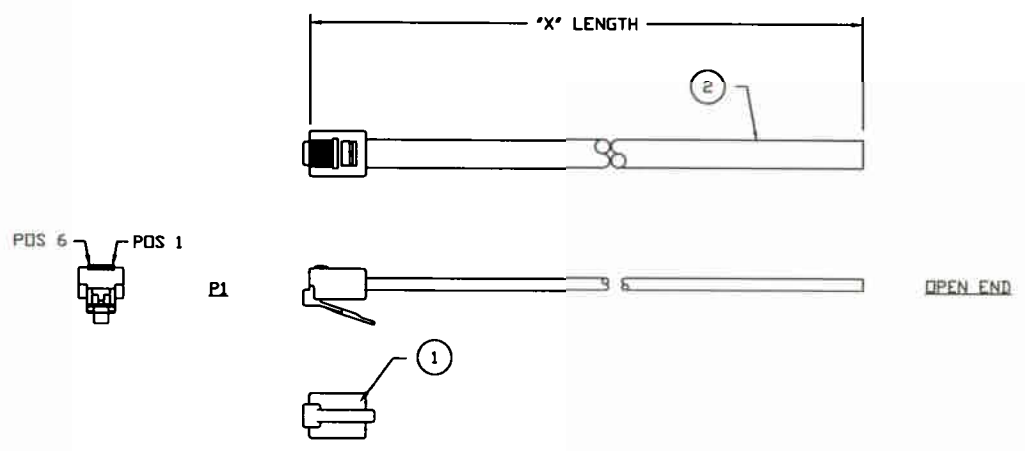


THESE DRAWINGS AND SPECIFICATIONS ARE THE SOLE PROPERTY OF I/O INTERCONNECT INC. AND SHALL NOT BE REPRODUCED, COPIED, OR USED IN ANY MANNER WITHOUT THE PRIOR WRITTEN CONSENT OF I/O INTERCONNECT INC. OR ITS AFFILIATED SUBSIDIARIES.

| DWG. NO.  | ZONE | REV. | DESCRIPTION  | DATE     | APPROVED |
|-----------|------|------|--|----------|----------|
| XX6-522-D |      | C    | ECN C285   | 08/07/01 | K.C.     |
|           |      | D    | ADD NOTE & CHANGE P/N TO ROHS COMPLIANT PER ECN D630 | 04/21/05 | M.G.     |

**WIRE DIAGRAM**

| P1 | OPEN END |
|----|----------|
| 1  | WHITE    |
| 2  | BLACK    |
| 3  | RED      |
| 4  | GREEN    |
| 5  | YELLOW   |
| 6  | BLUE     |



**NOTES: UNLESS OTHERWISE SPECIFIED.**

- CABLE TO BE BUNDLED AND TWIST TIED.
- TEST CABLE FOR ALL OPENS & SHORTS.
- PACKAGE CABLE ASSEMBLY INDIVIDUALLY IN PLASTIC BAG. PACKAGE INDIVIDUAL BAG PER LOT NUMBER QUANTITIES.
- MARK OUTSIDE OF SHIPPING BOX WITH CUSTOMER PART NUMBER.
- PLACE BAR CODE LABEL ON THE OUTSIDE OF EACH SHIPPING BOX LABEL DETAIL SEE DWG 090-990-001.
- ALL METRICAL SHOULD BE ROHS COMPLIANT.

| ITEM | QTY  | MFG. | IQI PART NO.    | DESCRIPTION   |
|------|------|------|-----------------|---|
| 2    | "X"  | IOI  | GLF-120-610-020 | MODULAR CABLE, 26 AWG (7/34) BARE COPPER, 6 CONDUCTOR, UNSHIELDED, WHITE PVC. ROHS COMPLIANT. |
| 1    | 1 PC | IOI  | GLF-325-661-50X | CONNECTOR, MODULAR PLUG, 6 POSITION, 6 CONDUCTOR, 50u" AW, FLAT TYPE EXIT. ROHS COMPLIANT.    |

**CABLE ASSEMBLY PARTS LIST**

|                         |                                 |                                       |
|-------------------------|---------------------------------|---------------------------------------|
| T.B.D.                  | GLF-466-256-522-D               | 25.0 FT ± 4.0 IN<br>7.62 M ± 101.6 MM |
| T.B.D.                  | GLF-466-146-522-D               | 14.0 FT ± 3.0 IN<br>4.27 M ± 76.2 MM  |
| H3661-07-ND             | GLF-466-076-522-D               | 7.0 FT ± 2.0 IN<br>2.13 M ± 50.8 MM   |
| PART NUMBER<br>DIGI-KEY | PART NUMBER<br>I/O INTERCONNECT | LENGTH "X"                            |

THIRD ANGLE PROJECTION

**I/O INTERCONNECT**  
SANTA ANA, CALIFORNIA

DR BY: JOHN BA  
DR CHECKED: M/EL/05

UNLESS OTHERWISE NOTED:  
1) DIMENSIONS ARE IN INCHES (MILLIMETER)  
2) TOLERANCES:  
X.XX ± 0.25 (6.35)

TITLE: 6P6C MODULAR TO OPEN END, WHITE, CABLE ASSEMBLY  
P/N: H3661-XX-ND

PART NO: GLF-466-XX6-522-D  
DWG NO: GLF-466-XX6-522-D

CUSTOMER: DIGI-KEY  
REV. D

SCALE: NONE  
SHEET 1 OF 1