



Chipsmall Limited consists of a professional team with an average of over 10 year of expertise in the distribution of electronic components. Based in Hongkong, we have already established firm and mutual-benefit business relationships with customers from,Europe,America and south Asia,supplying obsolete and hard-to-find components to meet their specific needs.

With the principle of “Quality Parts,Customers Priority,Honest Operation,and Considerate Service”,our business mainly focus on the distribution of electronic components. Line cards we deal with include Microchip,ALPS,ROHM,Xilinx,Pulse,ON,Everlight and Freescale. Main products comprise IC,Modules,Potentiometer,IC Socket,Relay,Connector.Our parts cover such applications as commercial,industrial, and automotives areas.

We are looking forward to setting up business relationship with you and hope to provide you with the best service and solution. Let us make a better world for our industry!



Contact us

Tel: +86-755-8981 8866 Fax: +86-755-8427 6832

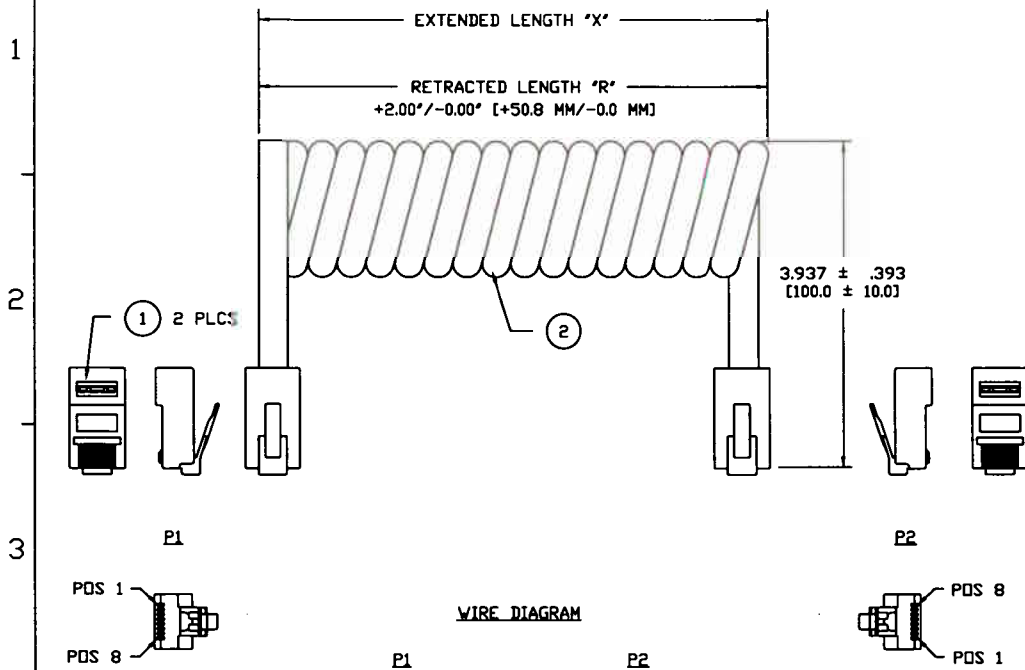
Email & Skype: info@chipsmall.com Web: www.chipsmall.com

Address: A1208, Overseas Decoration Building, #122 Zhenhua RD., Futian, Shenzhen, China



THESE DRAWINGS AND SPECIFICATIONS ARE THE SOLE PROPERTY OF I/O INTERCONNECT INC., U.S.A. AND SHALL NOT BE REPRODUCED, COPIED, OR USED IN ANY MANNER WITHOUT THE PRIOR WRITTEN CONSENT OF I/O INTERCONNECT INC. OR ITS AFFILIATED SUBSIDIARIES.

DWG. NO.	ZONE	REV.	DESCRIPTION	DATE	APPROVED
XXB-50X-D		D	ECN C285	08/21/01	K.C.
		E	ADD NOTE & CHANGE P/N TO ROHS COMPLIANT PER ECN 0803	04/21/05	M.G.



T.B.D.	GLF-488-148-505-D	GLF-121-810-022	14.0 FT [4.3 M]	50.0 IN [1270.0 MM]	WHITE
H2882-14C-ND	GLF-488-148-504-D	GLF-121-810-012	14.0 FT [4.3 M]	50.0 IN [1270.0 MM]	BLACK
T.B.D.	GLF-488-148-503-D	GLF-121-810-002	14.0 FT [4.3 M]	50.0 IN [1270.0 MM]	SILVER SATIN
T.B.D.	GLF-488-108-502-D	GLF-121-810-021	10.0 FT [3.0 M]	42.0 IN [1066.8 MM]	WHITE
H2882-10C-ND	GLF-488-108-501-D	GLF-121-810-011	10.0 FT [3.0 M]	42.0 IN [1066.8 MM]	BLACK
T.B.D.	GLF-488-108-500-D	GLF-121-810-001	10.0 FT [3.0 M]	42.0 IN [1066.8 MM]	SILVER SATIN
T.B.D.	GLF-488-078-505-D	GLF-121-810-020	7.0 FT [2.1 M]	28.0 IN [711.2 MM]	WHITE
H2882-07C-ND	GLF-488-078-504-D	GLF-121-810-010	7.0 FT [2.1 M]	28.0 IN [711.2 MM]	BLACK
H2883-07C-ND	GLF-488-078-503-D	GLF-121-810-000	7.0 FT [2.1 M]	28.0 IN [711.2 MM]	SILVER SATIN
H2881-05C-ND	GLF-488-058-502-D	GLF-121-810-023	5.0 FT [1.5 M]	22.0 IN [558.8 MM]	WHITE
H2882-05C-ND	GLF-488-058-501-D	GLF-121-810-013	5.0 FT [1.5 M]	22.0 IN [558.8 MM]	BLACK
T.B.D.	GLF-488-058-500-D	GLF-121-810-003	5.0 FT [1.5 M]	22.0 IN [558.8 MM]	SILVER SATIN
DIGI-KEY PART NUMBER	IOI PART NUMBER	IOI CABLE PART NUMBER	EXTENDED LENGTH "X"	RETRACTED LENGTH "R"	

TABULATION BLOCK

NOTES: UNLESS OTHERWISE SPECIFIED.

- TEST CABLE FOR ALL OPENS & SHORTS.
- PACKAGE CABLE ASSEMBLY INDIVIDUALLY IN PLASTIC BAG. PACKAGE INDIVIDUAL BAG PER LOT NUMBER QUANTITIES.
- MARK OUTSIDE OF SHIPPING BOX WITH CUSTOMER PART NUMBER.
- PLACE BAR CODE LABEL ON THE OUTSIDE OF EACH SHIPPING BOX LABEL DETAIL SEE DWG 090-990-001.
- ALL MATERIAL SHOULD BE ROHS COMPLIANT.

WIRE DIAGRAM

P1		P2
1	GRAY	1
2	ORANGE	2
3	BLACK	3
4	RED	4
5	GREEN	5
6	YELLOW	6
7	BLUE	7
8	BROWN	8

ITEM	QTY	MFG.	IOI PART NO.	DESCRIPTION
2	"X" FT	IOI	SEE 'TABULATION BLOCK'	MODULAR COIL CABLE, 26 AWG (7/34) BARE COPPER, 8 CONDUCTOR, UNSHIELDED, PVC JACKET, (SEE TABULATION BLOCK FOR COLOR). ROHS COMPLIANT.
1	2 PCS	IOI	GLF-325-881-50X	CONNECTOR, MODULAR PLUG, 8 POSITION, 8 CONDUCTOR, 50u' Aw, FLAT TYPE EXIT. ROHS COMPLIANT.

CABLE ASSEMBLY PARTS LIST

THIRD ANGLE PROJECTION		I/O INTERCONNECT SANTA ANA, CALIFORNIA	
UNLESS OTHERWISE NOTED: 1) DIMENSIONS ARE IN INCHES (MILLIMETER) 2) TOLERANCES: XXX ± 0.25 [6.35]	DR. BY: JERRY SUN	DATE: 04/21/05	TITLE: 8P8C/8P8C COIL CABLE, REVERSE STYLE, CABLE ASSEMBLY P/N: H288X-XXC-ND
	DR. CHECKED:		PART NO: GLF-488-XXB-50X-D
	ENGINEER:		DWG NO: GLF-488-XXB-50X-D
	DIST./SALES:		CUSTOMER: DIGI-KEY
	REV. E		SCALE: NONE
			SHEET 1 OF 1