



Chipsmall Limited consists of a professional team with an average of over 10 year of expertise in the distribution of electronic components. Based in Hongkong, we have already established firm and mutual-benefit business relationships with customers from,Europe,America and south Asia,supplying obsolete and hard-to-find components to meet their specific needs.

With the principle of "Quality Parts,Customers Priority,Honest Operation,and Considerate Service",our business mainly focus on the distribution of electronic components. Line cards we deal with include Microchip,ALPS,ROHM,Xilinx,Pulse,ON,Everlight and Freescale. Main products comprise IC,Modules,Potentiometer,IC Socket,Relay,Connector.Our parts cover such applications as commercial,industrial, and automotives areas.

We are looking forward to setting up business relationship with you and hope to provide you with the best service and solution. Let us make a better world for our industry!



Contact us

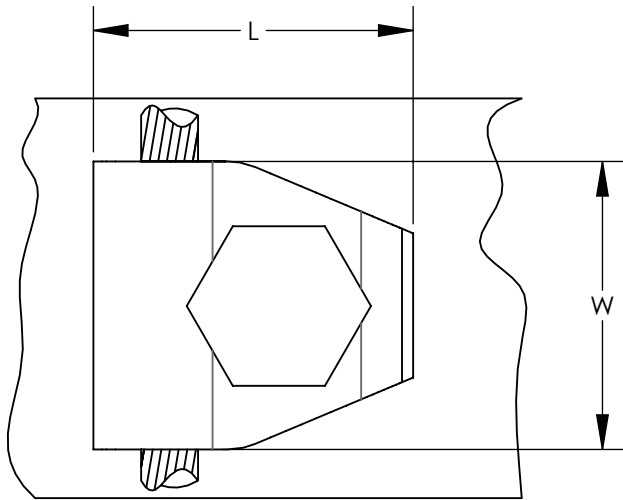
Tel: +86-755-8981 8866 Fax: +86-755-8427 6832

Email & Skype: info@chipsmall.com Web: www.chipsmall.com

Address: A1208, Overseas Decoration Building, #122 Zhenhua RD., Futian, Shenzhen, China

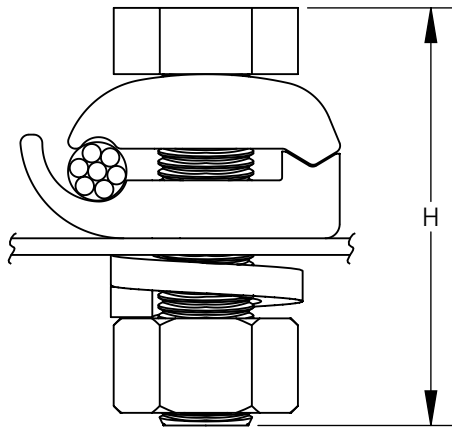


THIS COPY IS PROVIDED ON A RESTRICTED BASIS AND IS NOT TO BE USED IN ANY WAY DETRIMENTAL TO THE INTERESTS OF PANDUIT CORP.



NOTES:

1. MADE FROM HIGH COPPER CONTENT ALLOY. FURNISHED WITH FULL THREADED SILICON BOLT, NUTS, AND LOCKWASHERS.
2. THESE CONNECTORS ARE UL LISTED FOR GROUNDING AND BONDING, AND DIRECT BURIAL APPLICATIONS.
3. SEE www.PANDUIT.com FOR PACKAGE QUANTITIES.



PANDUIT PART NUMBER	FIGURE	CONDUCTOR RANGE	DIMENSIONS IN [mm] +/- .1 [2.5]			BOLT DIA.
			L	W	H	
GM-2-Q	1	4 SOL - 2/0 STR	1.63 [41.3]	1.13 [28.6]	1.75 [44.5]	3/8"
GM-3-Q	1	2/0 SOL - 250 kcmil	1.88 [47.6]	1.50 [38.1]	2.00 [50.8]	1/2"

REV	DATE	BY	CHK	APR	DESCRIPTION	ECN
04	11/15	JHNU	JHNU	RGB	REVISED WIRE RANGE FOR GMS-3-Q: 2/0 SOL WAS 2/0 STR	N41169BB-C41169

TITLE BRONZE GROUND CLAMP GM SERIES CUSTOMER DRAWING			
ITEM REVISION NAME N41169BB/04			
DATASET FILE NAME N41169BB-C41169/04.SLDDRW			
UNLESS OTHERWISE SPECIFIED, DIMENSIONAL TOLERANCES ARE: IN [mm] .X ± .XX ±		MATERIAL SEE NOTES	
DRAWN BY ED		DRAWING NUMBER C41169	
DATE 10/95	CHK WJB	SCALE N/A	SHEET 1 OF 1
			SIZE A

THIRD ANGLE
PROJECTION

