



Chipsmall Limited consists of a professional team with an average of over 10 year of expertise in the distribution of electronic components. Based in Hongkong, we have already established firm and mutual-benefit business relationships with customers from,Europe,America and south Asia,supplying obsolete and hard-to-find components to meet their specific needs.

With the principle of “Quality Parts,Customers Priority,Honest Operation,and Considerate Service”,our business mainly focus on the distribution of electronic components. Line cards we deal with include Microchip,ALPS,ROHM,Xilinx,Pulse,ON,Everlight and Freescale. Main products comprise IC,Modules,Potentiometer,IC Socket,Relay,Connector.Our parts cover such applications as commercial,industrial, and automotives areas.

We are looking forward to setting up business relationship with you and hope to provide you with the best service and solution. Let us make a better world for our industry!



Contact us

Tel: +86-755-8981 8866 Fax: +86-755-8427 6832

Email & Skype: info@chipsmall.com Web: www.chipsmall.com

Address: A1208, Overseas Decoration Building, #122 Zhenhua RD., Futian, Shenzhen, China



Thin, Compact Chip LED with High-Luminosity, AlGaInP Yellow-Green Chips

Features

- Size: 1.6 X 0.8 mm
- 0.35 mm thickness/0.55 mm thickness chip LEDs
- AlGaInP yellow-green chips
- Low operating current: 75 % reduction (Comparison with general-purpose chip type)

Applications

- Cellular phone
- Indicator
- Membrane switch

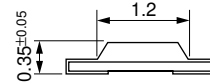
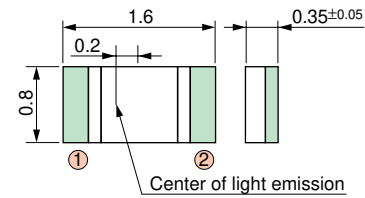
Specifications

T_a = 25 °C

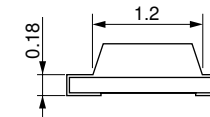
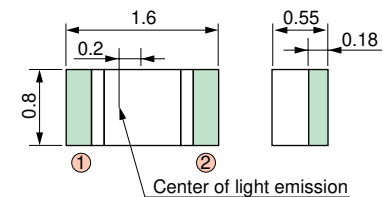
Parameter	Symbol	GM1JE35200AE	GM1JE55200AE	Condition	Unit
Emitting color	-	Yellow-green	Yellow-green	-	-
Peak wavelength (TYP.)	λ _p	575	575	I _F =5 mA	nm
Luminous intensity (TYP.)	I _v	(13)	(13)		mcd
Forward voltage (TYP.)	V _F	2.0	2.0	-	V
Operating temperature	Topr	-30 to +85	-30 to +85	-	°C

Outline Dimensions (Unit: mm)

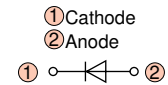
(GM1JE35200AE)



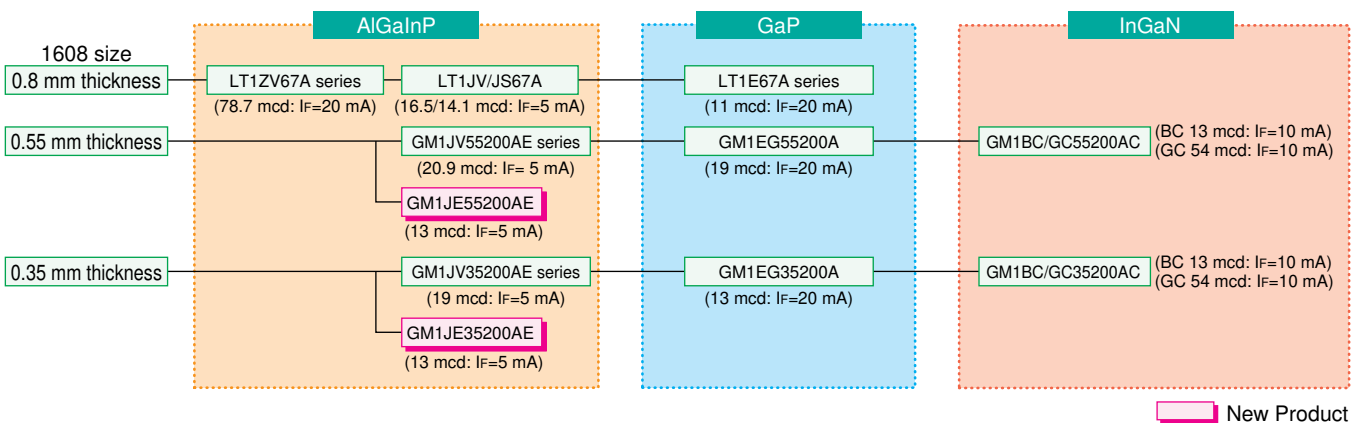
(GM1JE55200AE)



Pin configuration



Line-up of Chip LED



Notice:

- In the absence of confirmation by device specification sheets, SHARP takes no responsibility for any defects that may occur in equipment using any SHARP devices shown in catalogs, data books, etc. Contact SHARP in order to obtain the latest device specification sheets before using any SHARP devices.
- Specifications are subject to change without notice for improvement.