



Chipsmall Limited consists of a professional team with an average of over 10 year of expertise in the distribution of electronic components. Based in Hongkong, we have already established firm and mutual-benefit business relationships with customers from,Europe,America and south Asia,supplying obsolete and hard-to-find components to meet their specific needs.

With the principle of “Quality Parts,Customers Priority,Honest Operation,and Considerate Service”,our business mainly focus on the distribution of electronic components. Line cards we deal with include Microchip,ALPS,ROHM,Xilinx,Pulse,ON,Everlight and Freescale. Main products comprise IC,Modules,Potentiometer,IC Socket,Relay,Connector.Our parts cover such applications as commercial,industrial, and automotives areas.

We are looking forward to setting up business relationship with you and hope to provide you with the best service and solution. Let us make a better world for our industry!



## Contact us

Tel: +86-755-8981 8866 Fax: +86-755-8427 6832

Email & Skype: info@chipsmall.com Web: www.chipsmall.com

Address: A1208, Overseas Decoration Building, #122 Zhenhua RD., Futian, Shenzhen, China



**Description:** GNSS IP67 Active 30dB RHCP Antenna

**Series:** Active GNSS

**PART NUMBER:** GNSSDM26B0500



### Features:

- GNSS RHCP active antenna
- Beidou, GPS, Glonass
- LNA gain 30dBi
- 2pcs integrated band pass filters
- Module stage line-up:
  - Ant-Fil1-LNA-Fil2
- RoHS compliant

### Applications:

- Base station timing antenna
- Navigation
- Tracking
- Location Bases Services

All dimensions are in mm / inches

Issue: 1821

In the effort to improve our products, we reserve the right to make changes judged to be necessary.

CONFIDENTIAL AND PROPRIETARY INFORMATION

This document contains confidential and proprietary information of Pulse Electronics, Inc. (Pulse) and is protected by copyright, trade secret and other state and federal laws. Its receipt or possession does not convey any rights to reproduce, disclose its contents, or to manufacture, use or sell anything it may describe. Reproduction, disclosure or use without specific written authorization of Pulse is strictly forbidden.

For more information:

Pulse Worldwide Headquarters  
15255 Innovation Drive #100  
San Diego, CA 92128  
USA  
Tel:1-858-674-8100

Pulse/Larsen Antennas  
18110 SE 34<sup>th</sup> St Bldg 2 Suite 250  
Vancouver, WA 98683  
USA  
Tel: 1-360-944-7551

Europe Headquarters  
Pulse GmbH & Do, KG  
Zeppelinstrasse 15  
Herrenberg, Germany  
Tel: 49 7032 7806 0

Pulse (Suzhou) Wireless Products Co, Inc.  
99 Huo Ju Road(#29 Bldg,4<sup>th</sup> Phase  
Suzhou New District  
Jiangsu Province, Suzhou 215009 PR China  
Tel: 86 512 6807 9998



**Description:** GNSS IP67 Active 30dB RHCP  
Antenna

**Series:** Active GNSS

**PART NUMBER:** GNSSDM26B0500

## ELECTRICAL SPECIFICATIONS

Frequency	1561.098 ± 2.046/ 1575.42 ± 1.023/ 1602.5625 ± 4	MHz
Nominal Impedance	50	Ω
VSWR	<2.5:1	
Gain (Radiating element)	1	dBic ± 1 dB
Gain (LNA gain)	30	dB ± 2 dB
Polarization	RHCP	
Out of Band Rejection		
698 MHz	>70	dB
960MHz	>65	dB
1710MHz	>60	dB
2170MHz	>65	dB
2400MHz	>65	dB
2700MHz	>65	dB
Noise Figure	<2.4	dB
Operating Voltage	3.3-5	Vdc±0.5V
Current Consumption	<10	mA

**Description:** GNSS IP67 Active 30dB RHCP  
Antenna**Series:** Active GNSS**PART NUMBER:** GNSSDM26B0500**MECHANICAL SPECIFICATIONS**

Plastic radome	PC/ABS
Color	Pantone 427C Gray
Ingress Protection	IP67
Weight	130g
Overall Length	541/21.3 MM/INCHES
Cable retention: Pull off	7-35 N mini
Installation torque	38-42 N/LBS
Cable Type	LMR-195 or equivalent
Connector	SMA Male

**ENVIRONMENTAL SPECIFICATIONS**

Operating temperature	-40/+85 ° C
Temperature shock	Per EDCS 1180288, Sec 3.3.13.2 Rate 5°C/min
Humidity	Per EDCS 1180288, Sec 3.3.13.3
Operational altitude	Per EDCS 1180288, Sec 3.3.13.4
Non operational altitude	Per EDCS 1180288, Sec 3.3.13.2
Mechanical shock	Per EDCS 1180288, Sec 3.3.13.6
Mechanical vibration	Per EDCS 1180288, Sec 3.3.13.8
Salt mist	Per EDCS 1180288, Sec 3.3.13.1
Drop test	Uncontrolled 10 times 42.0 inches

Issue: 1821

In the effort to improve our products, we reserve the right to make changes judged to be necessary.

CONFIDENTIAL AND PROPRIETARY INFORMATION

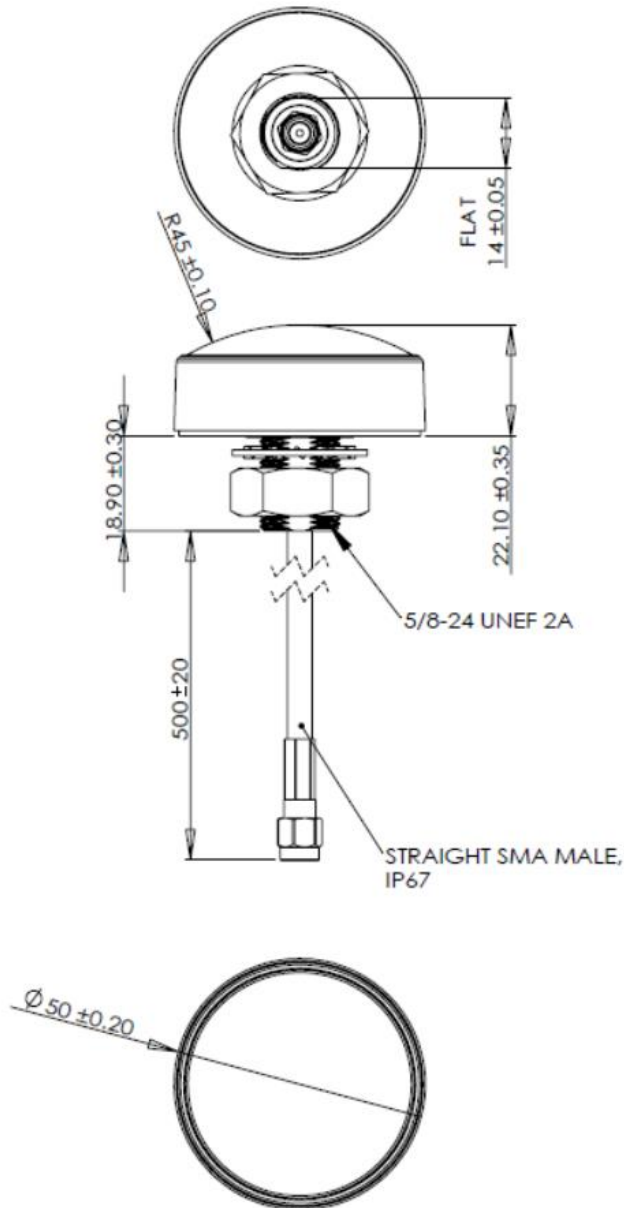
This document contains confidential and proprietary information of Pulse Electronics, Inc. (Pulse) and is protected by copyright, trade secret and other state and federal laws. Its receipt or possession does not convey any rights to reproduce, disclose its contents, or to manufacture, use or sell anything it may describe. Reproduction, disclosure or use without specific written authorization of Pulse is strictly forbidden.

Description: GNSS IP67 Active 30dB RHCP Antenna

Series: Active GNSS

PART NUMBER: GNSSDM26B0500

MECHANICAL DRAWING



Issue: 1821

In the effort to improve our products, we reserve the right to make changes judged to be necessary.

CONFIDENTIAL AND PROPRIETARY INFORMATION

This document contains confidential and proprietary information of Pulse Electronics, Inc. (Pulse) and is protected by copyright, trade secret and other state and federal laws. Its receipt or possession does not convey any rights to reproduce, disclose its contents, or to manufacture, use or sell anything it may describe. Reproduction, disclosure or use without specific written authorization of Pulse is strictly forbidden.

**Description:** GNSS IP67 Active 30dB RHCP  
Antenna

**Series:** Active GNSS

**PART NUMBER:** GNSSDM26B0500

## TEST SETUP

VSWR is tested in free space.

Radiation Element is test on 70X70mm ground plane.

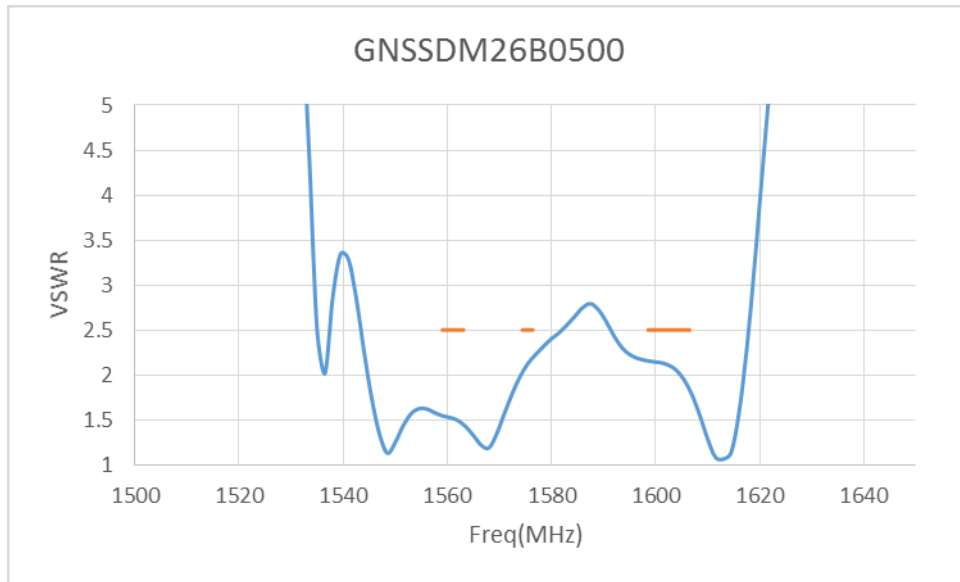
**Description:** GNSS IP67 Active 30dB RHCP Antenna

**Series:** Active GNSS

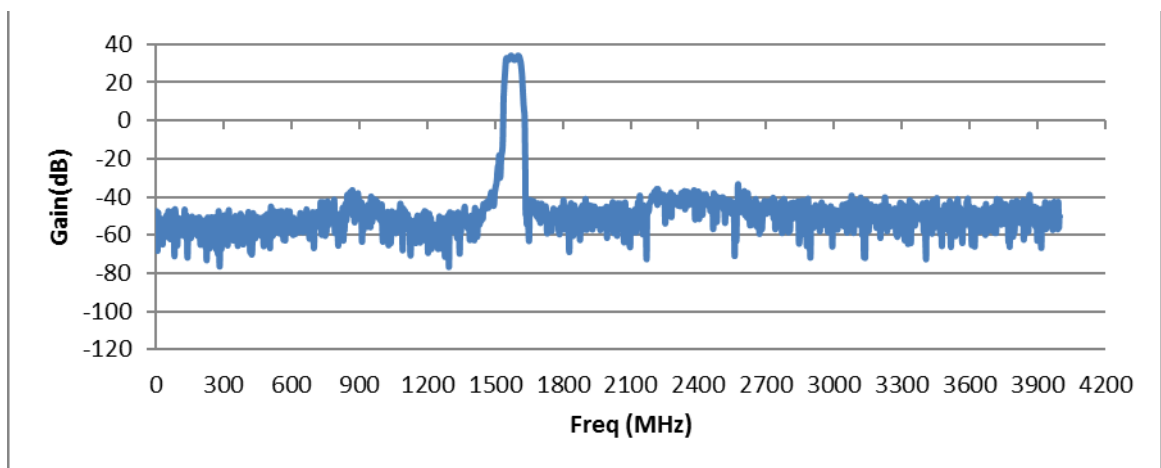
**PART NUMBER:** GNSSDM26B0500

CHARTS

VSWR



LNA Gain and out-of-band rejection



Issue: 1821

In the effort to improve our products, we reserve the right to make changes judged to be necessary.

CONFIDENTIAL AND PROPRIETARY INFORMATION

This document contains confidential and proprietary information of Pulse Electronics, Inc. (Pulse) and is protected by copyright, trade secret and other state and federal laws. Its receipt or possession does not convey any rights to reproduce, disclose its contents, or to manufacture, use or sell anything it may describe. Reproduction, disclosure or use without specific written authorization of Pulse is strictly forbidden.

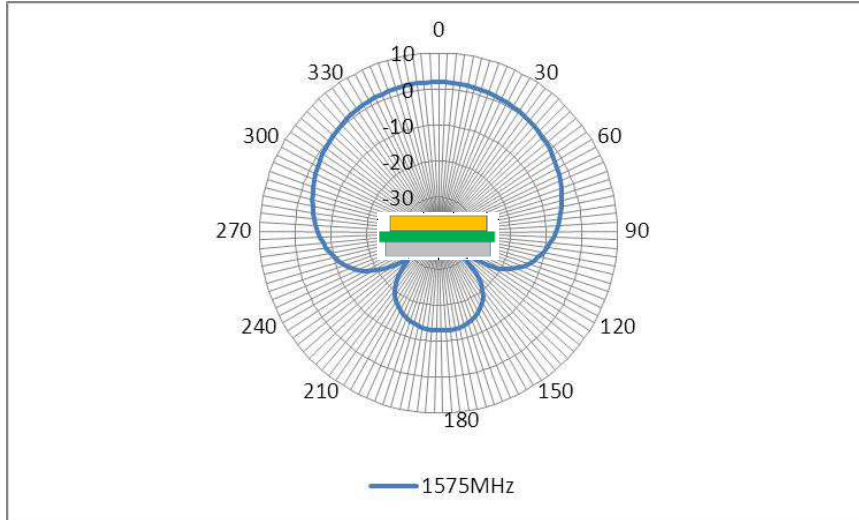
**Description:** GNSS IP67 Active 30dB RHCP Antenna

**Series:** Active GNSS

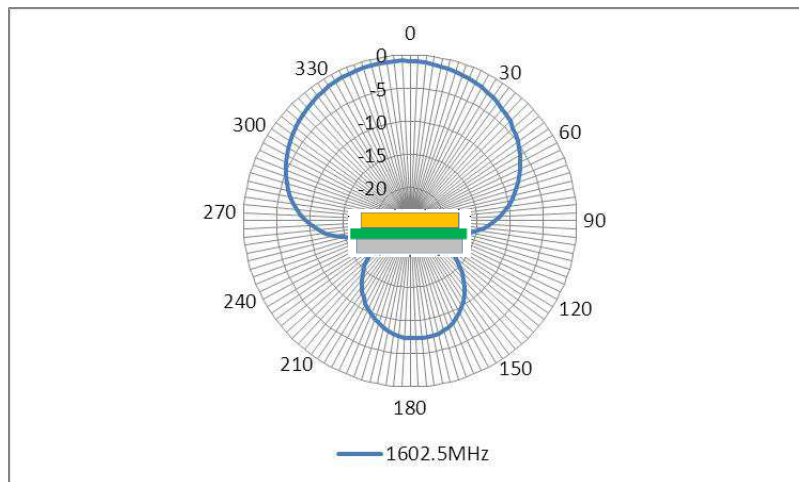
**PART NUMBER:** GNSSDM26B0500

**CHARTS**

**Radiation Pattern (70mm x 70mm ground plane ) GPS & Galileo**



**Radiation Pattern (70mm x 70mm ground plane ) GLONASS**



Issue: 1821

In the effort to improve our products, we reserve the right to make changes judged to be necessary.

CONFIDENTIAL AND PROPRIETARY INFORMATION

This document contains confidential and proprietary information of Pulse Electronics, Inc. (Pulse) and is protected by copyright, trade secret and other state and federal laws. Its receipt or possession does not convey any rights to reproduce, disclose its contents, or to manufacture, use or sell anything it may describe. Reproduction, disclosure or use without specific written authorization of Pulse is strictly forbidden.



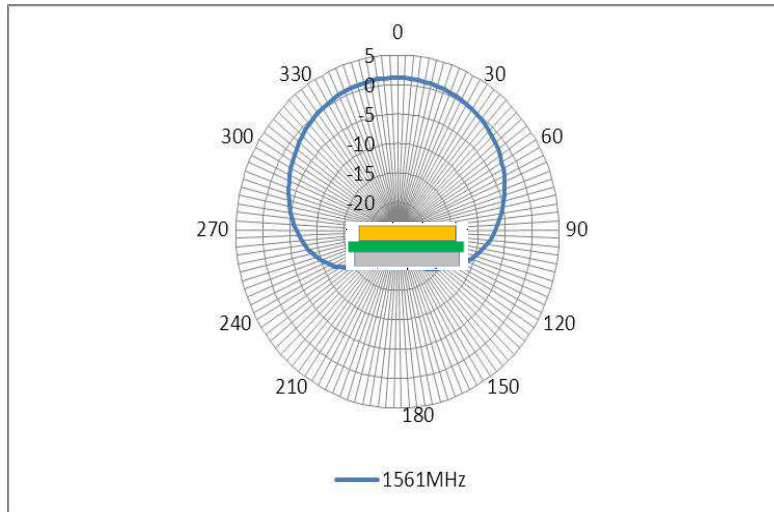
**Description:** GNSS IP67 Active 30dB RHCP Antenna

**Series:** Active GNSS

**PART NUMBER:** GNSSDM26B0500

**CHARTS**

Radiation Pattern (70mm x 70mm ground plane ) BeiDou



**Description:** GNSS IP67 Active 30dB RHCP Antenna

**Series:** Active GNSS

**PART NUMBER:** GNSSDM26B0500

**PACKAGING**

Label on cable



1PCS/PE bag  
21PCS/Carton box

