



Chipsmall Limited consists of a professional team with an average of over 10 year of expertise in the distribution of electronic components. Based in Hongkong, we have already established firm and mutual-benefit business relationships with customers from,Europe,America and south Asia,supplying obsolete and hard-to-find components to meet their specific needs.

With the principle of “Quality Parts,Customers Priority,Honest Operation,and Considerate Service”,our business mainly focus on the distribution of electronic components. Line cards we deal with include Microchip,ALPS,ROHM,Xilinx,Pulse,ON,Everlight and Freescale. Main products comprise IC,Modules,Potentiometer,IC Socket,Relay,Connector.Our parts cover such applications as commercial,industrial, and automotives areas.

We are looking forward to setting up business relationship with you and hope to provide you with the best service and solution. Let us make a better world for our industry!



Contact us

Tel: +86-755-8981 8866 Fax: +86-755-8427 6832

Email & Skype: info@chipsmall.com Web: www.chipsmall.com

Address: A1208, Overseas Decoration Building, #122 Zhenhua RD., Futian, Shenzhen, China



SPECIFICATION

Part No : **GP.1575.15.4.B.02**

Product Name : 15mm*15mm*4mm
1575mhz GPS/GALILEO Patch
Antenna
RoHS Compliant



1. Introduction

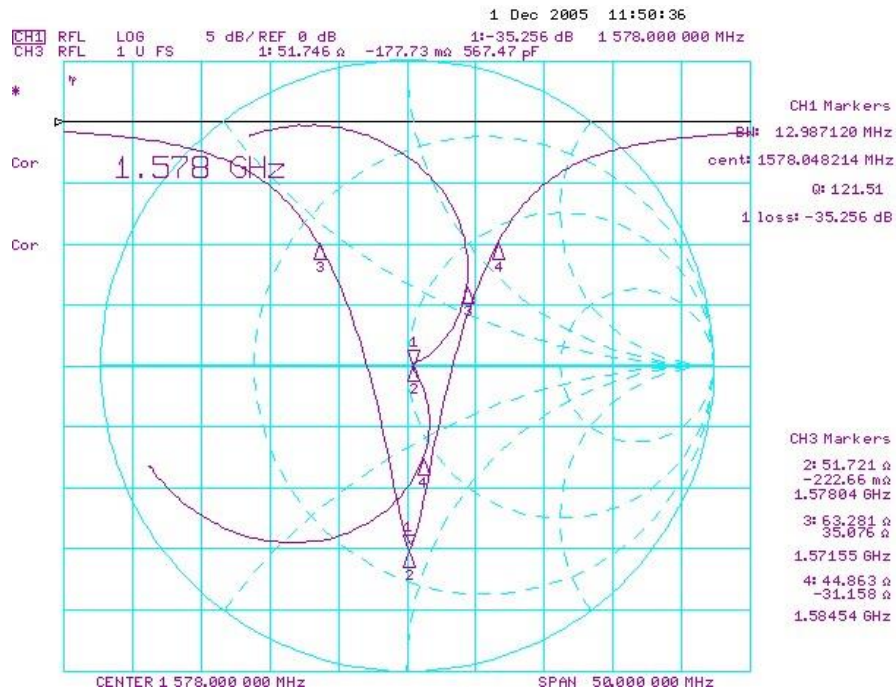
This miniaturized ceramic GPS/GALILEO patch antenna is based on smart *XtremeGain*™ technology. It is mounted via pin and double-sided adhesive and has been selected as optimal solution for the customer device environment.

2. Specification Table

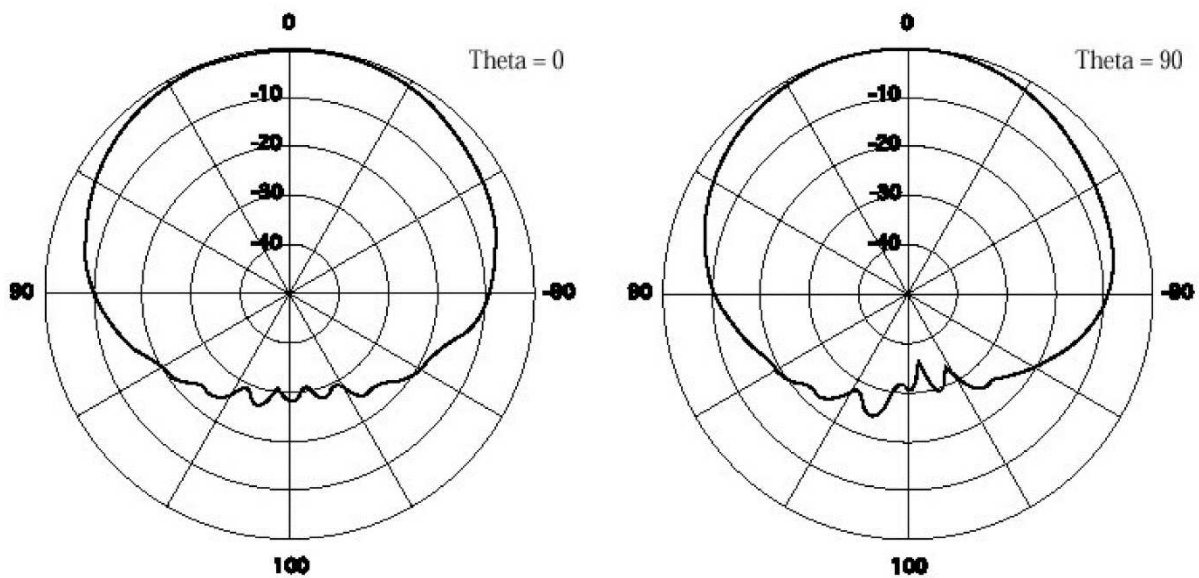
| No | Parameter | Specification | Notes |
|----|--|-----------------------------|-----------------------------|
| 1 | Range of Receiving Frequency | 1575.42 MHz \pm 1.023 MHz | |
| 2 | Center Frequency | 1578 \pm 2MHz | With 66x52.5mm ground plane |
| 3 | Bandwidth | 6 MHz min | Return Loss <-10 dB |
| 4 | VSWR | 1.5 max | Center Frequency |
| 5 | Gain at Zenith | 1.0 dBic typ. | |
| 6 | Gain at 10°elevation | - - | |
| 7 | Axial Ratio | 3 dB max | |
| 8 | Polarization | RHCP | |
| 9 | Impedance | 50 Ohms | |
| 10 | Frequency Temperature Coefficient (τ_f) | 0 \pm 20ppm / oC | -40°C to +85°C |
| 11 | Operating Temperature | -40°C to +85°C | |

3. Electrical Specification

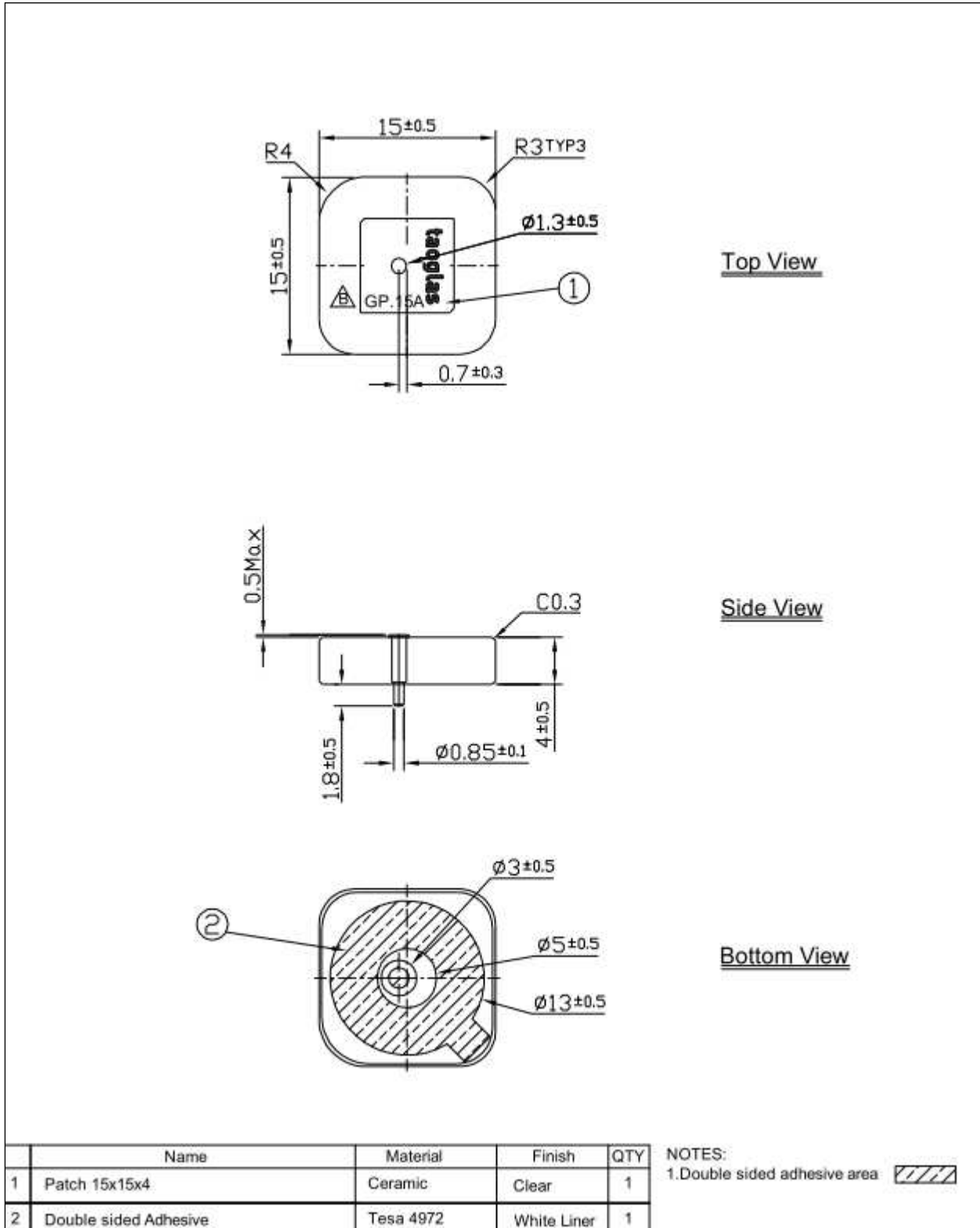
3.1. Smith Chart



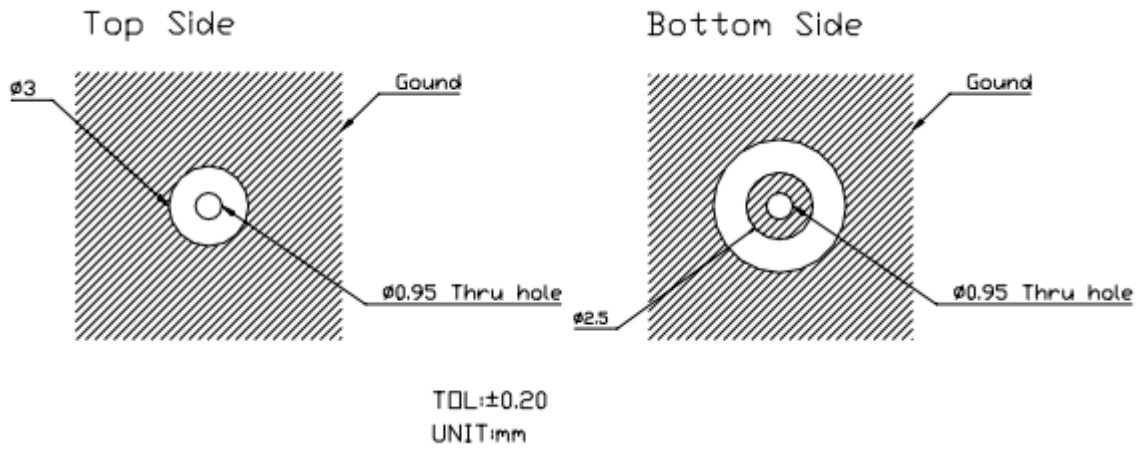
4. Antenna Gain Chart (Spin Dipole Method)



5. Mechanical Drawing

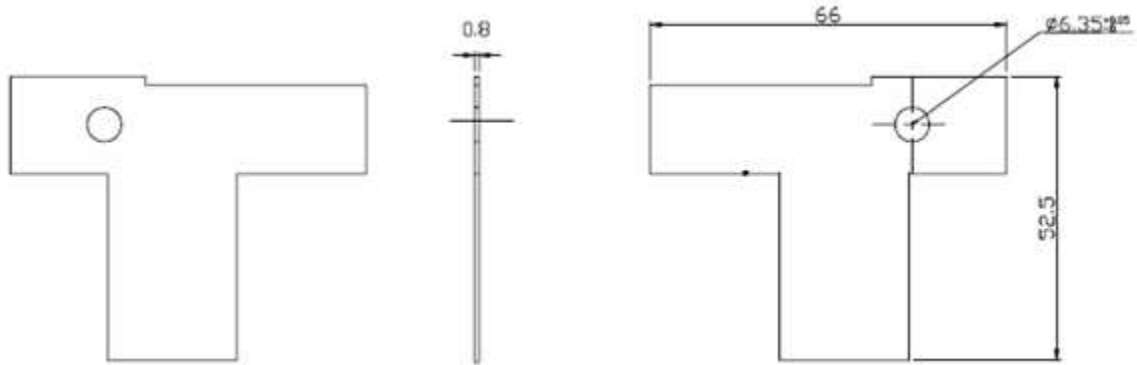


5.1. Layout Dimension

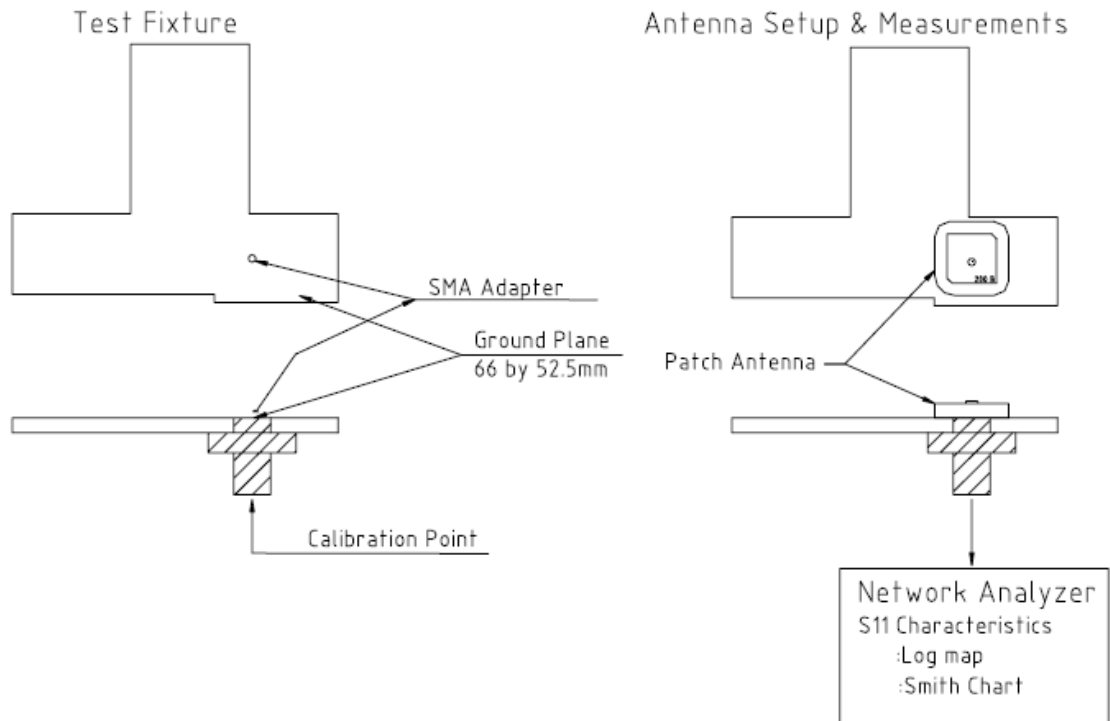


*Note Layout Dimensions may be affected by the thickness of the PCB

6. Test Jig and Dimensions

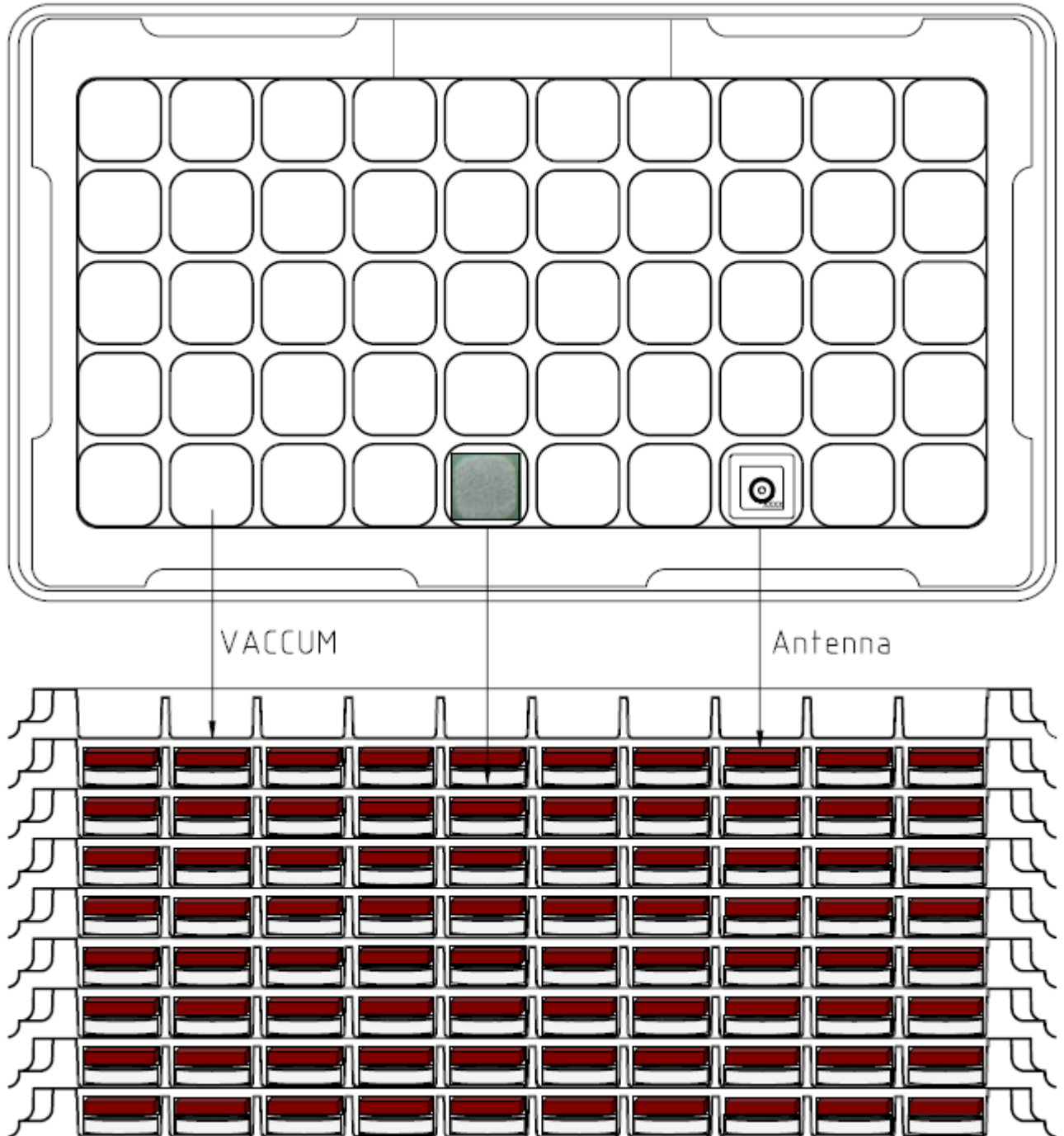


6.1. Test Fixture Antenna Setup & Measurements

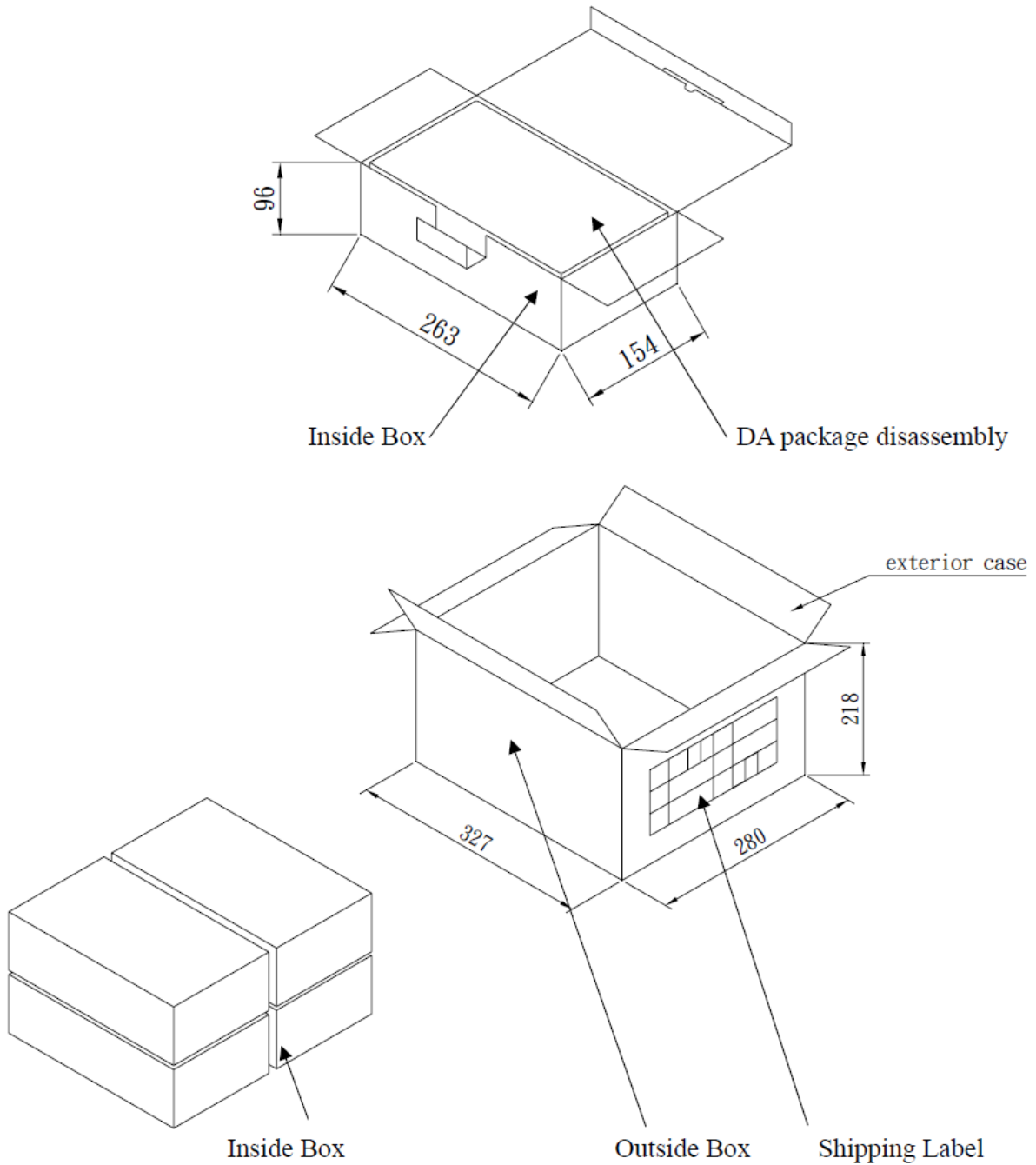


7. Packaging

Pieces per Inner Carton: 400



Packing



Taoglas makes no warranties based on the accuracy or completeness of the contents of this document and reserves the right to make changes to specifications and product descriptions at any time without notice. Taoglas reserves all rights to this document and the information contained herein.

Reproduction, use or disclosure to third parties without express permission is strictly prohibited.

Copyright © Taoglas Ltd.