



Chipsmall Limited consists of a professional team with an average of over 10 year of expertise in the distribution of electronic components. Based in Hongkong, we have already established firm and mutual-benefit business relationships with customers from,Europe,America and south Asia,supplying obsolete and hard-to-find components to meet their specific needs.

With the principle of “Quality Parts,Customers Priority,Honest Operation,and Considerate Service”,our business mainly focus on the distribution of electronic components. Line cards we deal with include Microchip,ALPS,ROHM,Xilinx,Pulse,ON,Everlight and Freescale. Main products comprise IC,Modules,Potentiometer,IC Socket,Relay,Connector.Our parts cover such applications as commercial,industrial, and automotives areas.

We are looking forward to setting up business relationship with you and hope to provide you with the best service and solution. Let us make a better world for our industry!



## Contact us

Tel: +86-755-8981 8866 Fax: +86-755-8427 6832

Email & Skype: info@chipsmall.com Web: www.chipsmall.com

Address: A1208, Overseas Decoration Building, #122 Zhenhua RD., Futian, Shenzhen, China



## SPECIFICATION

Part No. : **GP.1575.18.4.A.02**

Product Name : **Miniature GPS Patch Antenna**

Features : 18mm\*18mm\*4mm  
ROHS Compliant

:



## I. Introduction

This ceramic GPS patch antenna is based on smart **XtremeGain™** technology. It is mounted via pin and double-sided adhesive and has been selected as optimal solution for the 50x50mm ground plane.

## II. Specification Table

Original Patch Specification tested on 50\*50mm ground plane

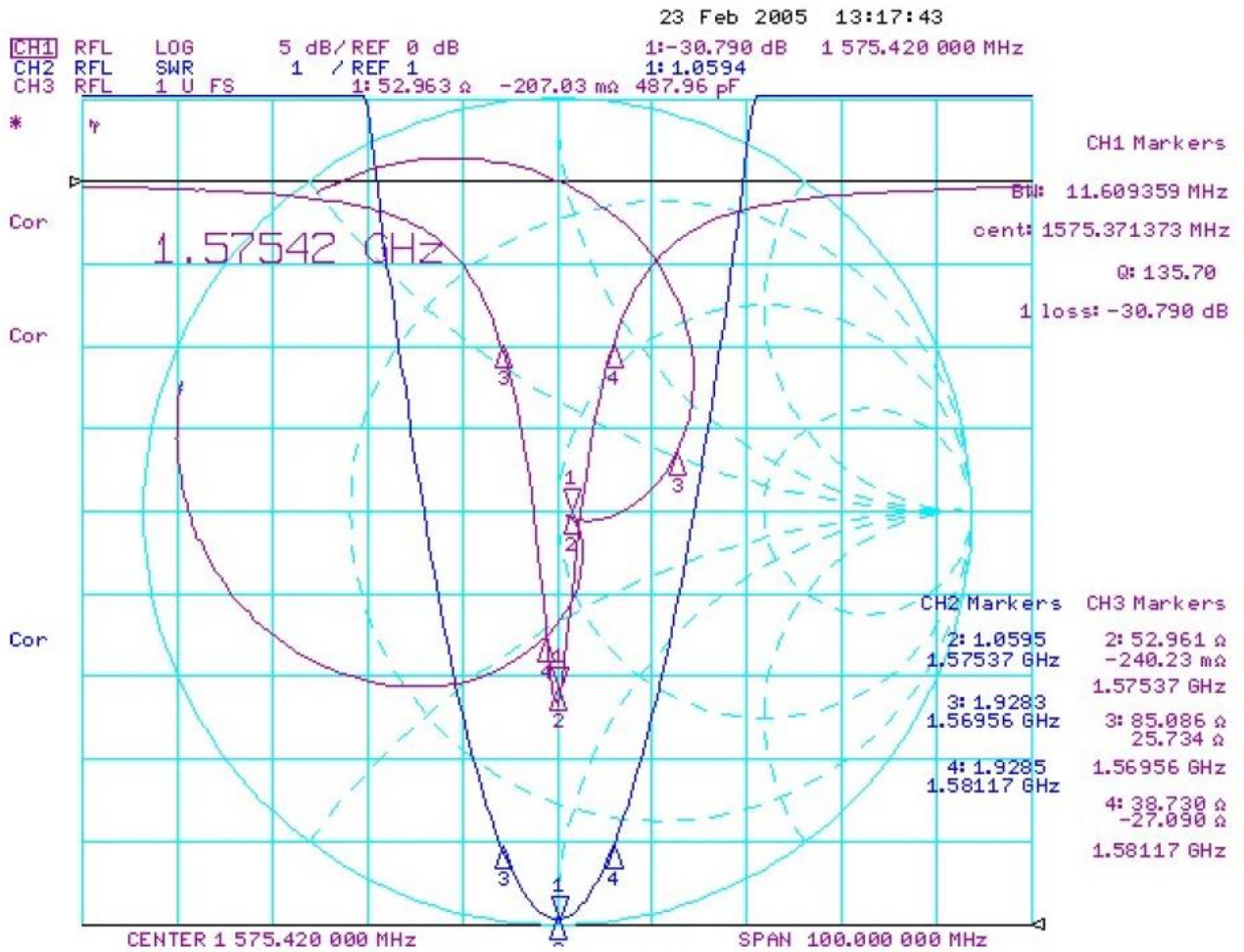
No	Parameter	Specification
1	Center Frequency	1575MHz +/- 3MHz**
2	Impedance	50Ω
3	Bandwidth	8MHz min Return Loss <-10dB
4	VSWR	1.5 max
5	Gain toward Zenith	+2.5 dBic typ.
6	Gain at 10°Elevation	-4.5 dBic typ.
7	Axial Ratio	3dB Max. Center Frequency
8	Polarization	Right Hand Circular Polarization
9	Frequency Temperature Coefficient (τf)	0 ± 20ppm/°C
10	Operating Temperature	-40°C to +85°C

\*\*Changes in user groundplane and environment will offset centre frequency

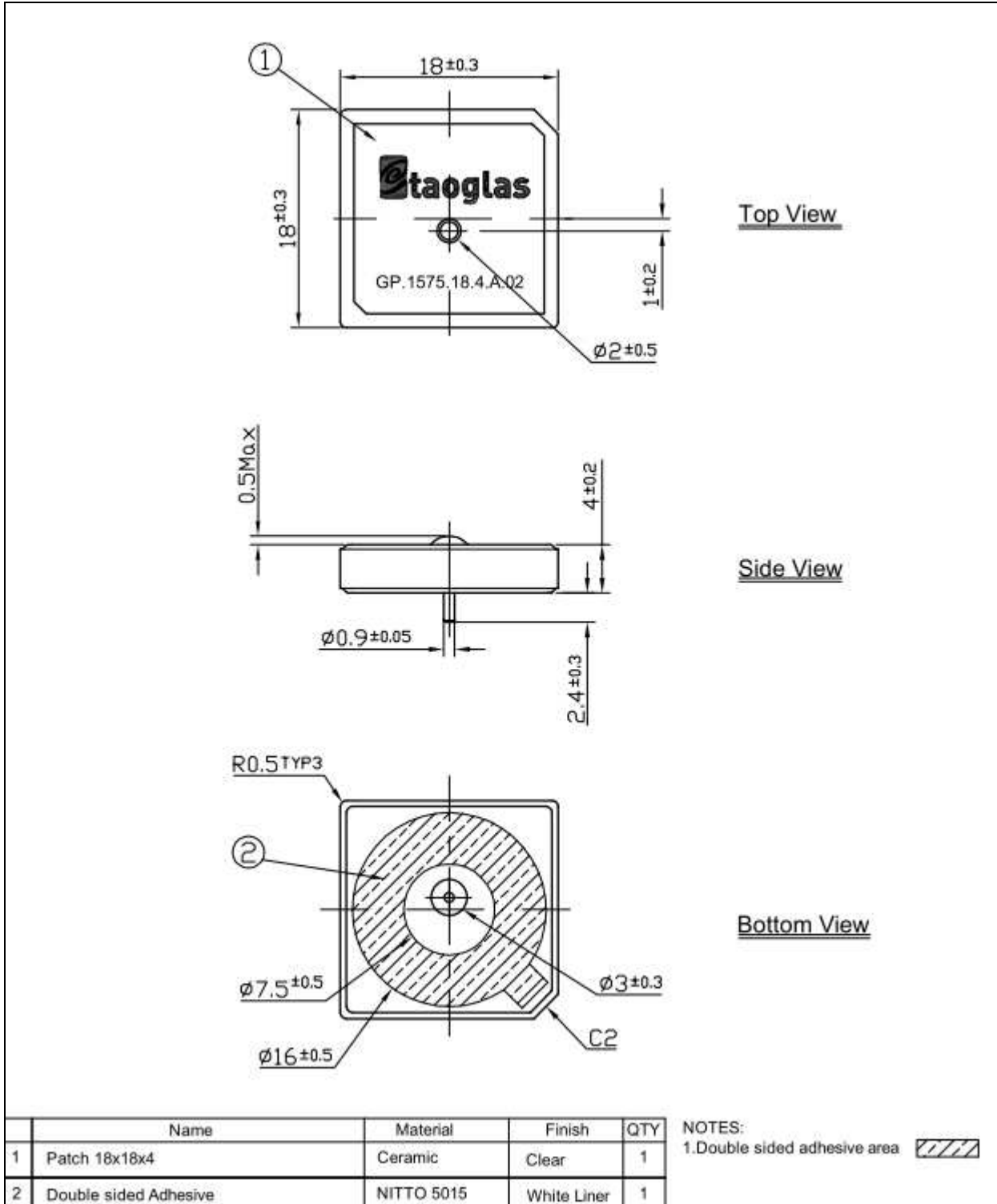


# III. Electrical Specification

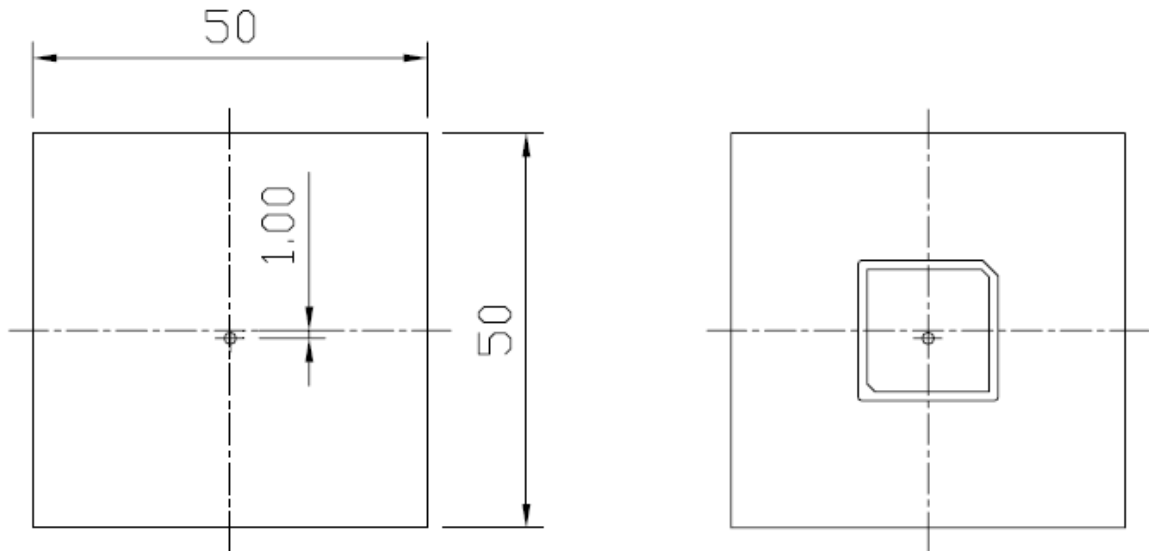
## III.1 Smith Chart



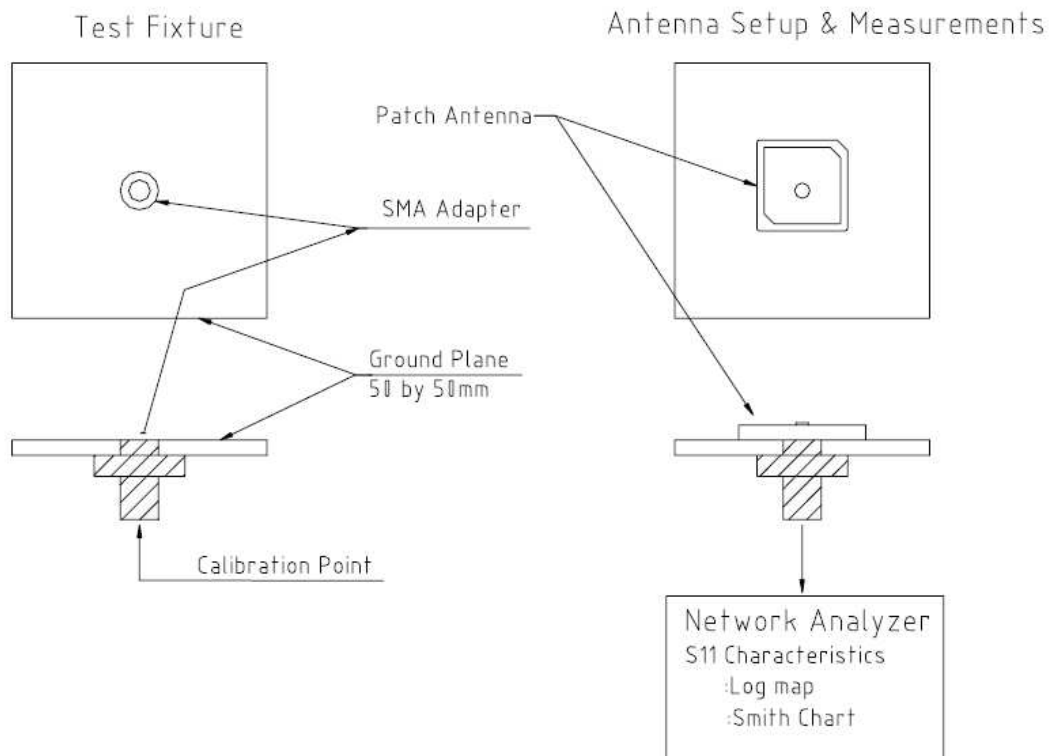
## IV Dimensions and Drawing



## V. Test Jig and Dimensions

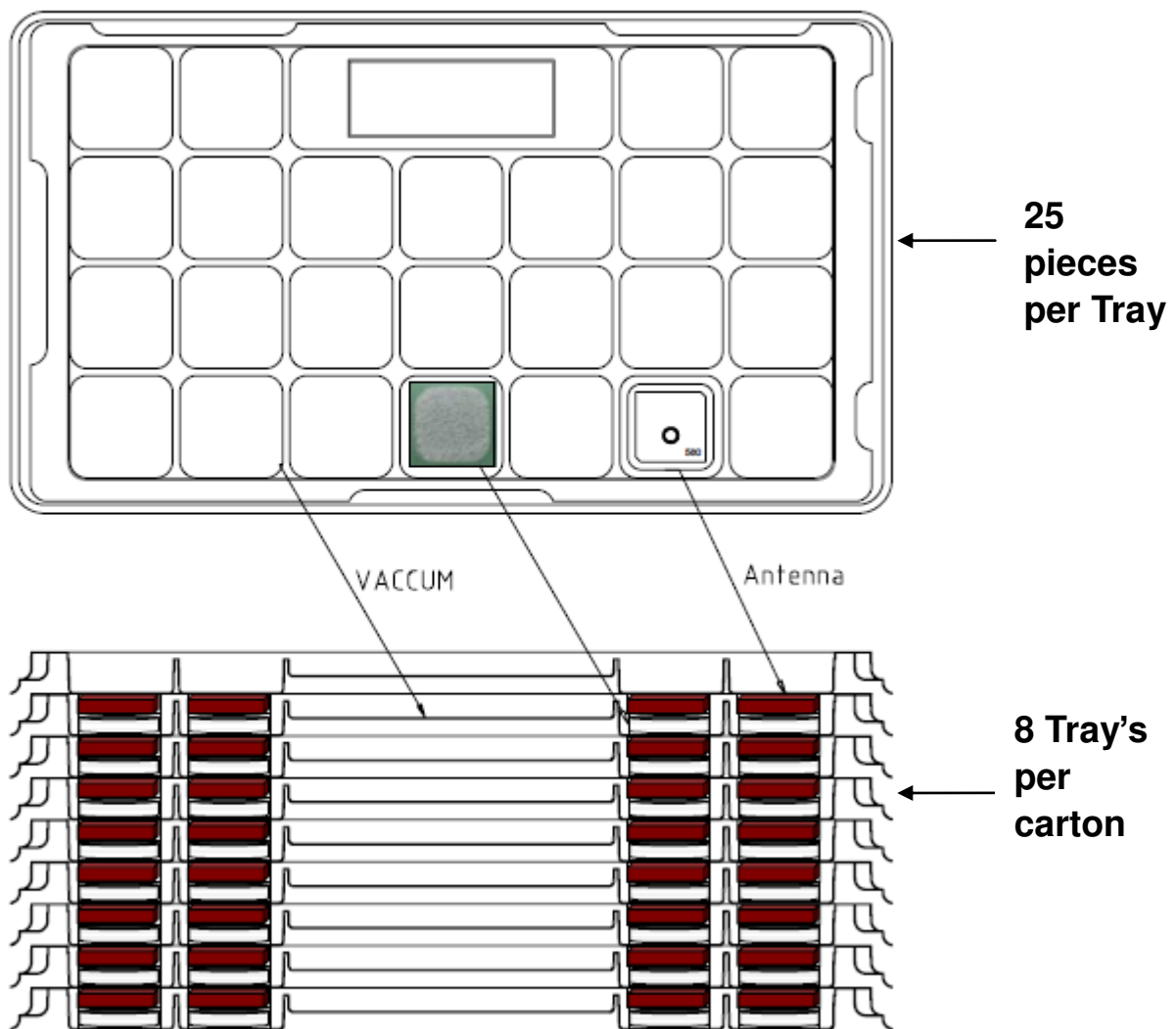


### V.1 Test Fixture Antenna Setup & Measurements



## VI. Packaging

- Per Tray: 25 pieces
- Per Carton(Inside Box) – 8 Trays = 200 pieces
- Outer Carton (Outside Box)– 4 Cartons = 800 pieces



## Packing

