



Chipsmall Limited consists of a professional team with an average of over 10 year of expertise in the distribution of electronic components. Based in Hongkong, we have already established firm and mutual-benefit business relationships with customers from,Europe,America and south Asia,supplying obsolete and hard-to-find components to meet their specific needs.

With the principle of “Quality Parts,Customers Priority,Honest Operation,and Considerate Service”,our business mainly focus on the distribution of electronic components. Line cards we deal with include Microchip,ALPS,ROHM,Xilinx,Pulse,ON,Everlight and Freescale. Main products comprise IC,Modules,Potentiometer,IC Socket,Relay,Connector.Our parts cover such applications as commercial,industrial, and automotives areas.

We are looking forward to setting up business relationship with you and hope to provide you with the best service and solution. Let us make a better world for our industry!



Contact us

Tel: +86-755-8981 8866 Fax: +86-755-8427 6832

Email & Skype: info@chipsmall.com Web: www.chipsmall.com

Address: A1208, Overseas Decoration Building, #122 Zhenhua RD., Futian, Shenzhen, China



Under Development

Square type Optical Fiber Transmitter / Receiver Unit for 3V Operation and Double Speed

[GP1FA313TZ/RZ, GP1FA352TZ/RZ]

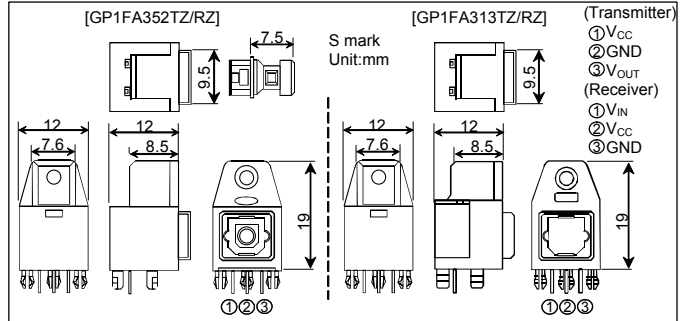
Features

- Double speed for high quality audio signal I/O (Data rate: MAX 15.5 Mbps)
- Low voltage operation ($V_{CC}=2.7$ to $3.6V$)
- Low current consumption

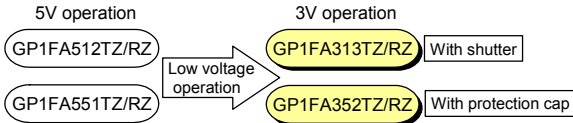
Applications

- DVD player
- AV amplifier

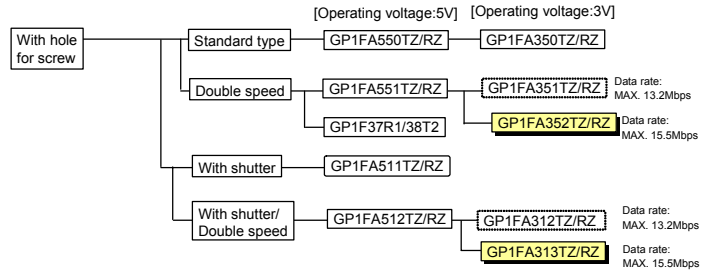
Outline dimensions



Development of Square type optical fiber for double speed



Line-up of Square type Optical fiber unit



Specifications

Transmitter			Receiver		
Parameter	Symbol	Characteristics	Parameter	Symbol	Characteristics
Operating supply voltage	V_{CC}	2.7 to 3.6 V	Operating supply voltage	V_{CC}	2.7 to 3.6 V
Consumption current	I_{CC}	MAX 12 mA	Consumption current	I_{CC}	MAX 15 mA
Peak emission wavelength	λ_p	TYP 660 nm	Minimum input optical level	$P_{C\text{MIN}}$	MAX -27 dBm
Optical output coupling with fiber	P_C	MIN -21 dBm	Data rate	T	MAX 15.5 Mbps
Data rate	T	MAX 15.5 Mbps	Jitter	t_j	TYP 1 ns
Jitter	t_j	TYP 1 ns	Operating temperature	T_{opr}	-20 to +70 °C
Operating temperature	T_{opr}	-20 to +70 °C			