



Chipsmall Limited consists of a professional team with an average of over 10 year of expertise in the distribution of electronic components. Based in Hongkong, we have already established firm and mutual-benefit business relationships with customers from,Europe,America and south Asia,supplying obsolete and hard-to-find components to meet their specific needs.

With the principle of “Quality Parts,Customers Priority,Honest Operation,and Considerate Service”,our business mainly focus on the distribution of electronic components. Line cards we deal with include Microchip,ALPS,ROHM,Xilinx,Pulse,ON,Everlight and Freescale. Main products comprise IC,Modules,Potentiometer,IC Socket,Relay,Connector.Our parts cover such applications as commercial,industrial, and automotives areas.

We are looking forward to setting up business relationship with you and hope to provide you with the best service and solution. Let us make a better world for our industry!



## Contact us

Tel: +86-755-8981 8866 Fax: +86-755-8427 6832

Email & Skype: info@chipsmall.com Web: www.chipsmall.com

Address: A1208, Overseas Decoration Building, #122 Zhenhua RD., Futian, Shenzhen, China



# Popular Type IR Detecting Unit for Remote Controls

## Features

- Holderless shape
- Compact package
- Screen type that eliminates electromagnetic induction noise(Double mold)

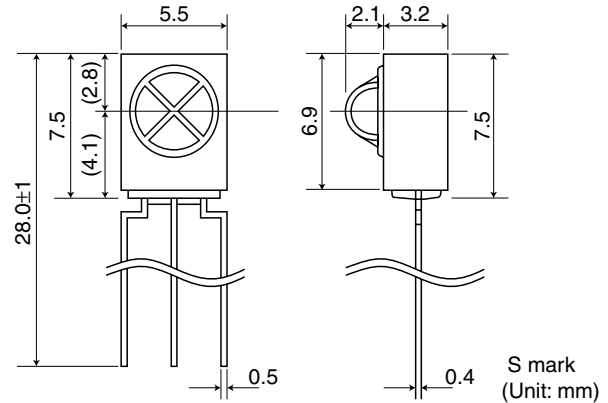
## Specifications

(Ta=25 °C, Vcc=+5 V)

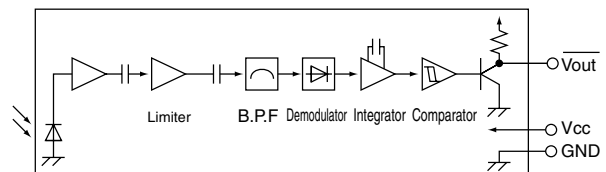
Parameter	Symbol	Characteristics
Supply voltage	V <sub>cc</sub>	4.5 to 5.5 V
Dissipation current	I <sub>cc</sub>	MAX. 1.5 mA
Output voltage	HIGH level	V <sub>OH</sub> MIN. V <sub>cc</sub> -0.5 V
	LOW level	V <sub>OL</sub> MAX. 0.45 V
Detection distance	L	MIN. 8 m
Operating temperature	T <sub>opr</sub>	-10 to +70 °C
BPF center frequency	f <sub>o</sub>	*See the table below.

BPF center frequency	Model
40 kHz	GP1UX50QS
36 kHz	GP1UX500QS
38 kHz	GP1UX501QS
36.7 kHz	GP1UX502QS

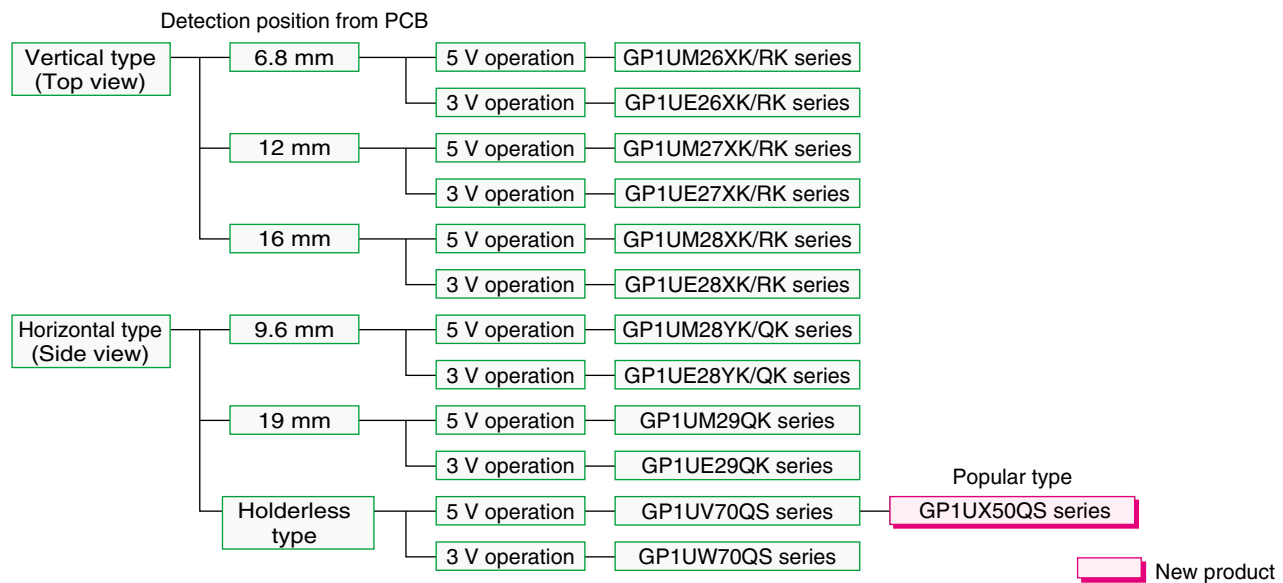
## Outline Dimensions



## Block Diagram



## Line-up of IR Detecting Units for Remote Controls



### Notice:

- In the absence of confirmation by device specification sheets, SHARP takes no responsibility for any defects that may occur in equipment using any SHARP devices shown in catalogs, data books, etc. Contact SHARP in order to obtain the latest device specification sheets before using any SHARP devices.
- Specifications, model names and availabilities are subject to change without notice for improvement.