



Chipsmall Limited consists of a professional team with an average of over 10 year of expertise in the distribution of electronic components. Based in Hongkong, we have already established firm and mutual-benefit business relationships with customers from,Europe,America and south Asia,supplying obsolete and hard-to-find components to meet their specific needs.

With the principle of "Quality Parts,Customers Priority,Honest Operation,and Considerate Service",our business mainly focus on the distribution of electronic components. Line cards we deal with include Microchip,ALPS,ROHM,Xilinx,Pulse,ON,Everlight and Freescale. Main products comprise IC,Modules,Potentiometer,IC Socket,Relay,Connector.Our parts cover such applications as commercial,industrial, and automotives areas.

We are looking forward to setting up business relationship with you and hope to provide you with the best service and solution. Let us make a better world for our industry!



## Contact us

Tel: +86-755-8981 8866 Fax: +86-755-8427 6832

Email & Skype: info@chipsmall.com Web: www.chipsmall.com

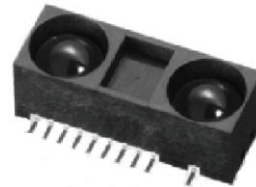
Address: A1208, Overseas Decoration Building, #122 Zhenhua RD., Futian, Shenzhen, China



# GP2Y0A60SZ0F

# GP2Y0A60SZLF

Distance Measuring Sensor Unit  
Measuring distance : 10 to 150 cm  
Analog output type



## ■Description

**GP2Y0A60SZ0F/GP2Y0A60SZLF** is a distance measuring sensor unit, composed of an integrated combination of PSD (position sensitive detector), IR-LED (infrared emitting diode) and signal processing circuit.

The variety of the reflectivity of the object, the environmental temperature and the operating duration are not influenced easily to the distance detection because of adopting the triangulation method.

This device outputs the voltage corresponding to the detection distance. So this sensor can also be used as a proximity sensor.

## ■Features

1. Distance measuring sensor is united with PSD, infrared LED and signal processing circuit
2. Distance measuring range : 10 to 150 cm
3. Compact size (22.0 × 8.0 × 7.2mm)
4. Long distance measuring type  
(No external control signal required)
5. Analog output type

## ■Agency approvals/Compliance

1. Compliant with RoHS directive (2002/95/EC)

## ■Applications

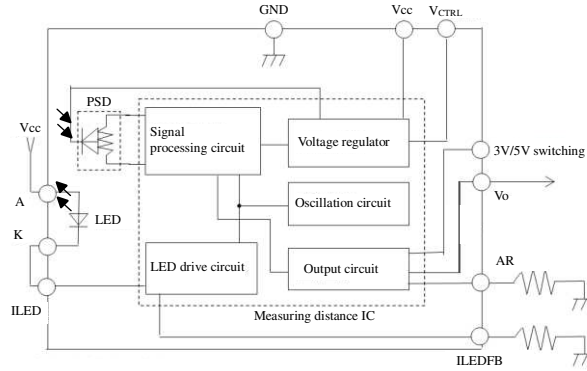
1. Touch-less switch  
(Sanitary equipment, Control of illumination, etc)
2. Sensor for energy saving  
(ATM, Copier, Vending machine, Laptop computer, LCD monitor, etc)
3. Amusement equipment  
(Robot, Arcade game machine, etc)

Notice The content of data sheet is subject to change without prior notice.

In the absence of confirmation by device specification sheets, SHARP takes no responsibility for any defects that may occur in equipment using any SHARP devices shown in catalogs, data books, etc. Contact SHARP in order to obtain the latest device specification sheets before using any SHARP device.

Sheet No.: OP13005EN-A

■ Schematic



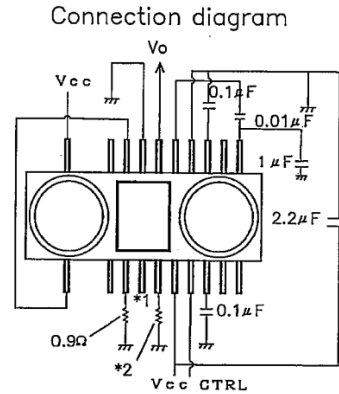
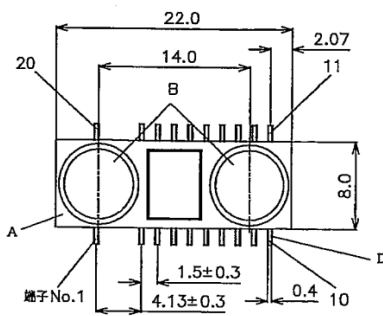
- Showing main terminal
- Please use an electric source with an output current of 400mA or more because LED pulse current is more than 300mA.

■ Outline

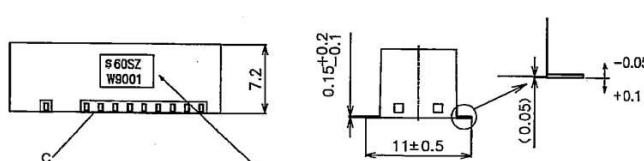
GP2Y0A60SZ0F

(Drawing No.CY14442j02)

Scale : 2/1 Unit : mm



- \*1) Above connection is the case of Vcc = 3V. In the case of Vcc=5V, terminal No.4 is connected to GND.
- \*2) The AR terminal connects 36kΩ.



Material

A	Case	Carbonic ABS (Color : Black)
B	Lens	Acrylic acid resin (Visible light cut type)
C	Device coating	PPS (Color : Black)
D	Lead pin	42ALLOY (Pd-Au plating)

Stamp ( Example )

SHARP : [ S ]  
 GP2Y0A60SZLF  
 : [ 60SZ ]  
 LOT No.  
 Month ( 1 to 9, Q, N, D )  
 ( DIN Standard symbol )  
 Year ( DIN Standard symbol )  
 DIN Standard year production  
 ( Remove G, I, O, Q, Y, Z )  
 ( It repeats itself by a period for 20 years )

terminal No.	terminal Name
1	cathode
2	GND
3	ILED/FB
4	3V/5V switching
5	AR
6	Vcc
7	CTRL
8	CH1
9	NC
10	REG
11	REG
12	NC
13	CH2
14	GND
15	GINT
16	Vo
17	T
18	ILED
19	GND
20	anode

Terminals No.2, 14, 19 are connected in device. Thus GP2Y0A60SZ0F operates by connection of arbitrary one terminal to GND.

Terminals No.10, 11 are connected in device. Thus GP2Y0A60SZ0F operates by connection of either terminal.

(Note1) Unspecified tolerances shall be ±0.2mm.

(Note2) ( ) : Reference value

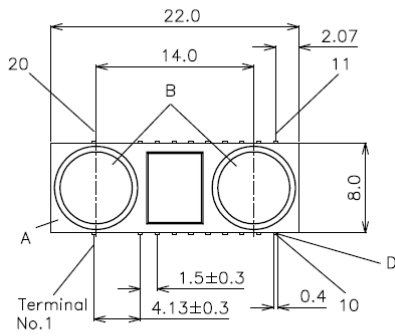
(Note3) lead terminal size is a root size of the lead.



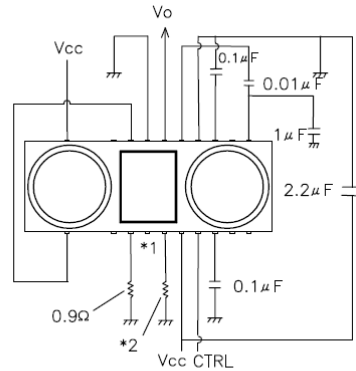
GP2Y0A60SZLF

(Drawing No.CY14591i02)

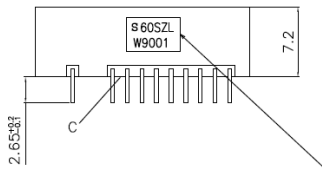
Scale : 2/1 Unit : mm



Connection diagram



- \*1) Above connection is the case of Vcc = 3V. In the case of Vcc=5V, terminal No.4 is connected to GND.
- \*2) The AR terminal connects 36kΩ.



Material	
A Case	Carbonic ABS (Color : Black)
B Lens	Acrylic acid resin (Visible light cut type)
C Device coating	PPS (Color : Black)
D Lead pin	42ALLOY (Pd-Au plating)

Stamp (Example)  
 SHARP : [ S ]  
 S 60SZL GP2Y0A60SZLF  
 : F60SZLJ  
 W9 0 0 1  
 LOT No.  
 Month ( I t o 9, 0, N, D )  
 ( D I N Standard symbol )  
 Year ( D I N Standard symbol )  
 D I N Standard year production  
 ( Remove G, I, O, Q, Y, Z )  
 ( It repeats itself by a period for 20 years )

terminal No.	terminal Name
1	cathode
2	GND
3	I LEDFB
4	3V/5V switching
5	AR
6	Vcc
7	CTRL
8	CH1
9	NC
10	REG
11	REG
12	NC
13	CH2
14	GND
15	CINT
16	Vo
17	T
18	I LED
19	GND
20	anode

Year	Symbol
2008	W
2009	X
2010	A
2011	B
...	...
2025	T
2026	U

Terminals No.2, 14, 19 are connected in device. Thus GP2Y0A60SZLF operates by connection of arbitrary one terminal to GND.

Terminals No.10, 11 are connected in device. Thus GP2Y0A60SZLF operates by connection of either terminal.

(Note1) Unspecified tolerances shall be ±0.2mm.

(Note2) ( ) : Reference value

(Note3) lead terminal size is a root size of the lead.

## ■ Absolute maximum ratings

(Ta=25°C)

Parameter	Symbol	Ratings	Unit	Remark
Supply voltage	V <sub>CC</sub>	-0.3 to +5.5	V	-
Output terminal voltage	V <sub>O</sub>	-0.3 to V <sub>CC</sub> +0.3	V	-
Input terminal voltage 1	-	-0.3 to V <sub>REG</sub> +0.3	V	Terminal (NC,CH1,CH2,CINT,AR,T)
Input terminal voltage 2	-	-0.3 to V <sub>CC</sub> +0.3	V	Terminal (CTRL)
Operating temperature	Topr	-10 to +60	°C	-
Storage temperature	Tstg	-40 to +70	°C	-
Soldering temperature	Tsol	260	°C	5s or less/time up 2 times

## ■ Recommended operating conditions

Parameter	Symbol	Rating	Unit	Remark
Supply voltage	V <sub>CC</sub>	4.5 to 5.5	V	5V
Supply voltage	V <sub>CC</sub>	2.7 to 3.6	V	3V
High level input voltage	V <sub>CTRLH</sub>	2.3 to V <sub>CC</sub>	V	Operating
Low level input voltage	V <sub>CTRL</sub>	MAX 0.2	V	Stand-by state

## ■ Electro-optical Characteristics

(Ta=25°C, V<sub>CC</sub>=3V)

Parameter	Symbol	Conditions	MIN.	TYP.	MAX.	Unit
Measuring distance range	ΔL	(Note 1)	10	-	150	cm
Output terminal voltage	V <sub>O</sub>	L=150cm (Note 1)	0.05	0.35	0.65	V
Output voltage difference	ΔV <sub>O</sub>	Output change at L change (10cm → 150cm) (Note 1)	1.35	1.60	1.85	V
Average supply current	I <sub>CC1</sub>	V <sub>CC</sub> =3V, V <sub>CTRL</sub> =3V	-	33	50	mA
Stand-by supply current	I <sub>CC2</sub>	V <sub>CC</sub> =3V, V <sub>CTRL</sub> =0V	-	-	5	μA

(Ta=25°C, V<sub>CC</sub>=5V)

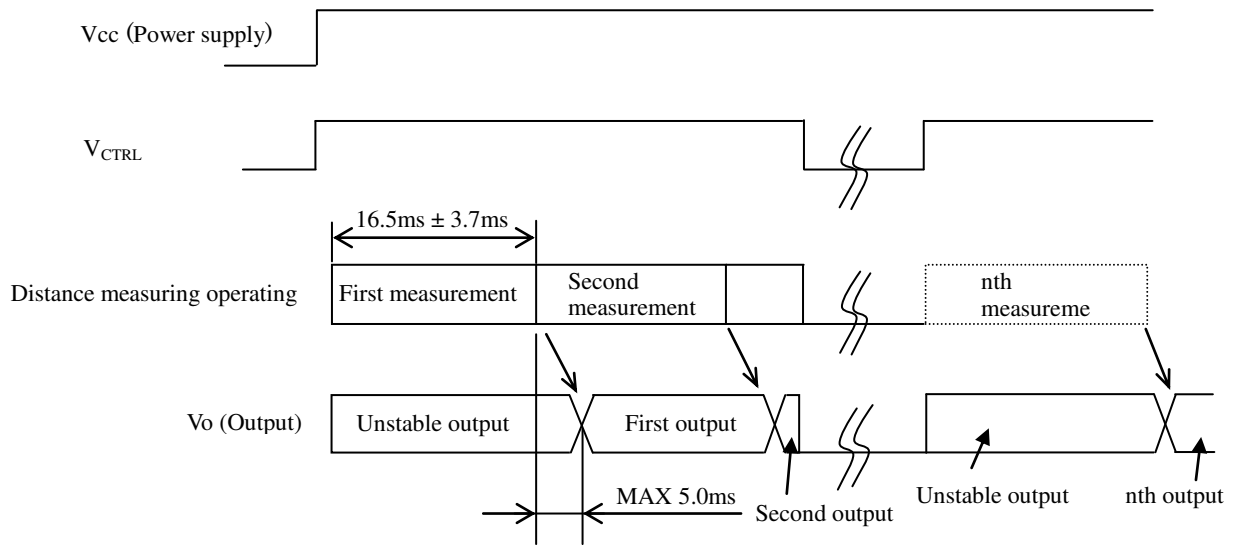
Parameter	Symbol	Conditions	MIN.	TYP.	MAX.	Unit
Measuring distance range	ΔL	(Note 1)	10	-	150	cm
Output terminal voltage	V <sub>O</sub>	L=150cm (Note 1)	0.15	0.65	1.15	V
Output voltage difference	ΔV <sub>O</sub>	Output change at L change (10cm → 150cm) (Note 1)	2.75	3.00	3.25	V
Average supply current	I <sub>CC1</sub>	V <sub>CC</sub> =5V, V <sub>CTRL</sub> =5V	-	33	50	mA
Stand-by supply current	I <sub>CC2</sub>	V <sub>CC</sub> =5V, V <sub>CTRL</sub> =0V	-	-	5	μA

※L : Distance to reflective object

(Note 1) Using reflective object : White paper

(Made by Kodak Co., Ltd. gray cards R-27 • white face, reflective ratio ; 90%)

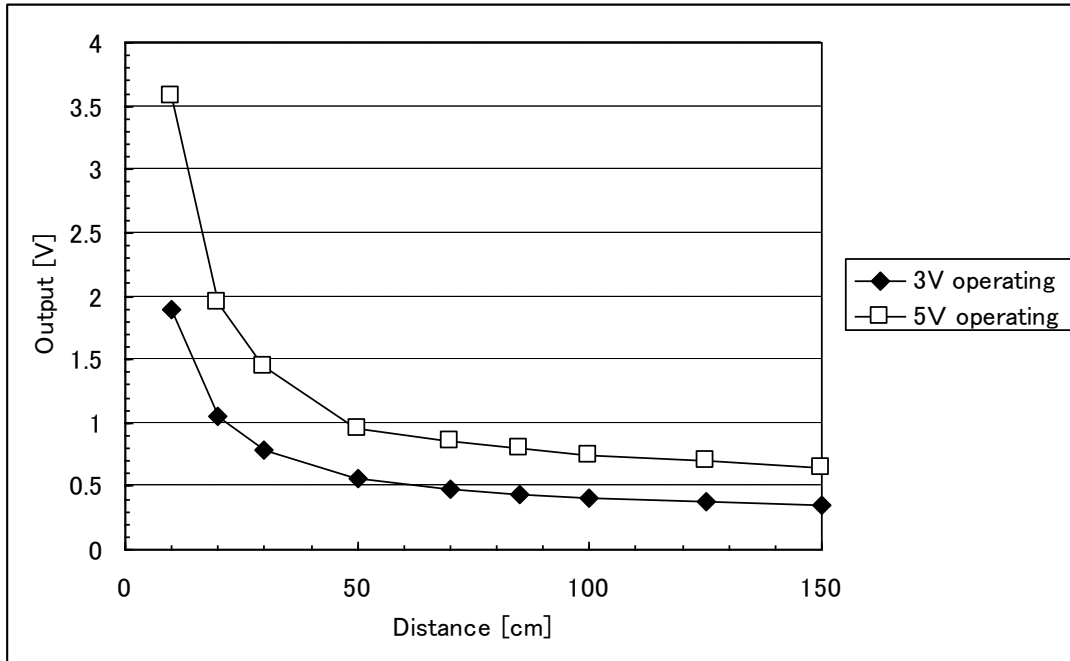
■ Timing Chart



■Supplements

- Example of output distance characteristics

White paper(Reflectance ratio 90%)



- This product shall not contain the following materials.  
Also, the following materials shall not be used in the production process for this product.  
Materials for ODS : CFCs, Halon, Carbon tetrachloride 1.1.1-Trichloroethane (Methyl chloroform)
- Product mass : Approx. 1.1g (TYP)
- This product does not contain the chemical materials regulated by RoHS directive.  
(Except for the NOT regulated by RoHS directive.)
- Compliance with each regulation
  - 1) The RoHS directive(2002/95/EC)  
This product complies with the RoHS directive(2002/95/EC) .  
Object substances: mercury, lead (except for lead in high melting temperature type solders and glass of electronic components), cadmium, hexavalent chromium, polybrominated biphenyls (PBB) and polybrominated diphenyl ethers (PBDE)
  - 2) Content of six substances specified in Management Methods for Control of Pollution Caused by Electronic Information Products Regulation (Chinese : 电子信息产品污染控制管理办法).

Category	Toxic and hazardous substances					
	Lead (Pb)	Mercury (Hg)	Cadmium (Cd)	Hexavalent chromium (Cr <sup>6+</sup> )	Polybrominated biphenyls (PBB)	Polybrominated diphenyl ethers (PBDE)
Distance measuring sensor	✓	✓	✓	✓	✓	✓

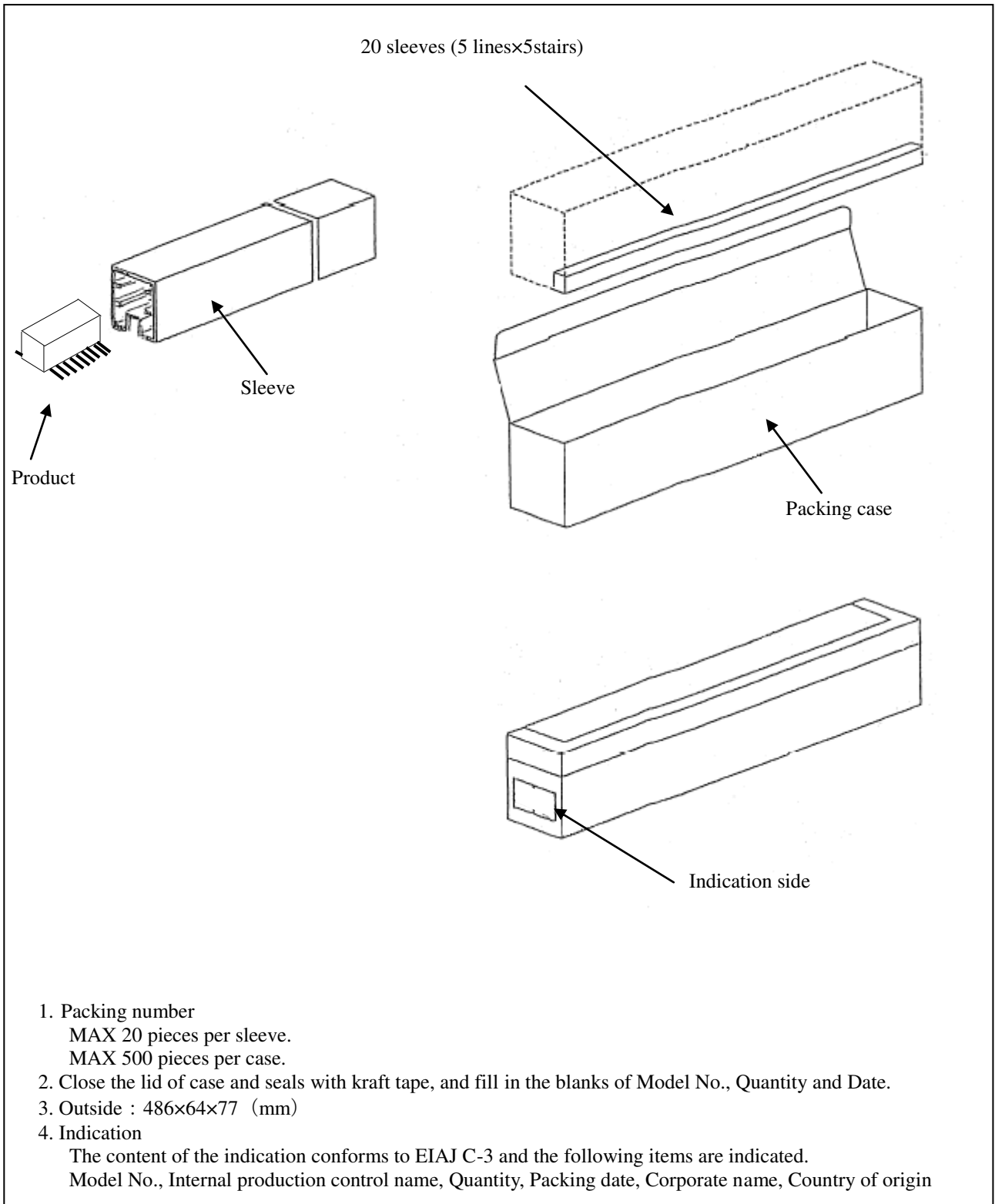
✓ : indicates that the content of the toxic and hazardous substance in all the homogeneous materials of the part is below the concentration limit requirement as described in SJ/T 11363-2006 standard .



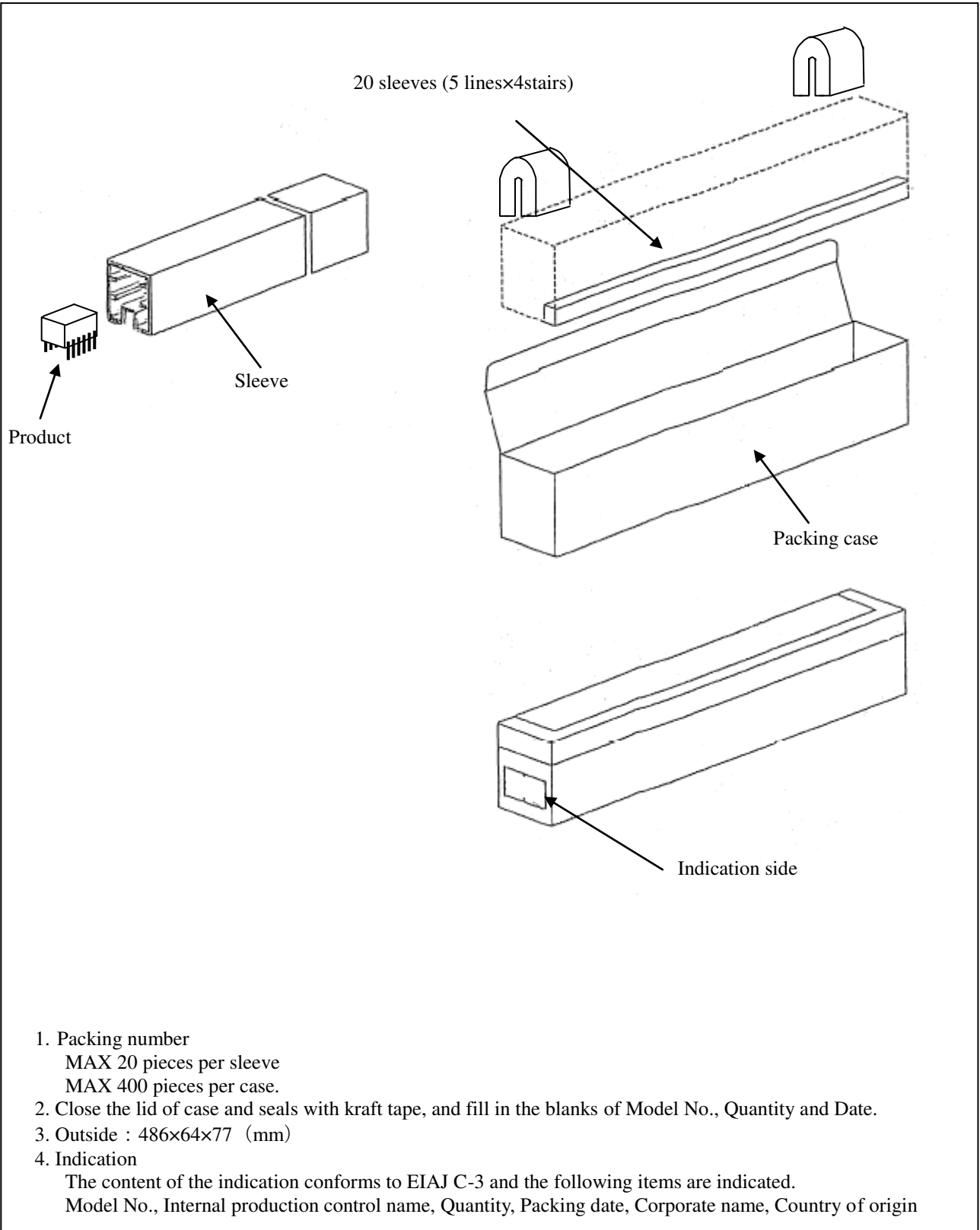


■ Packing specification

GP2Y0A60SZ0F



GP2Y0A60SZLF



1. Packing number  
 MAX 20 pieces per sleeve  
 MAX 400 pieces per case.
2. Close the lid of case and seals with kraft tape, and fill in the blanks of Model No., Quantity and Date.
3. Outside : 486×64×77 (mm)
4. Indication  
 The content of the indication conforms to EIAJ C-3 and the following items are indicated.  
 Model No., Internal production control name, Quantity, Packing date, Corporate name, Country of origin

## ■ Important Notices

· The circuit application examples in this publication are provided to explain representative applications of SHARP devices and are not intended to guarantee any circuit design or license any intellectual property rights. SHARP takes no responsibility for any problems related to any intellectual property right of a third party resulting from the use of SHARP's devices.

· Contact SHARP in order to obtain the latest device specification sheets before using any SHARP device. SHARP reserves the right to make changes in the specifications, characteristics, data, materials, structure, and other contents described herein at any time without notice in order to improve design or reliability. Manufacturing locations are also subject to change without notice.

· Observe the following points when using any devices in this publication. SHARP takes no responsibility for damage caused by improper use of the devices which does not meet the conditions and absolute maximum ratings to be used specified in the relevant specification sheet nor meet the following conditions:

(i) The devices in this publication are designed for use in general electronic equipment designs such as:

- Personal computers
- Office automation equipment
- Telecommunication equipment [terminal]
- Test and measurement equipment
- Industrial control
- Audio visual equipment
- Consumer electronics

(ii) Measures such as fail-safe function and redundant design should be taken to ensure reliability and safety when SHARP devices are used for or in connection

with equipment that requires higher reliability such as:

- Transportation control and safety equipment (i.e., aircraft, trains, automobiles, etc.)
- Traffic signals
- Gas leakage sensor breakers
- Alarm equipment
- Various safety devices, etc.

(iii) SHARP devices shall not be used for or in connection with equipment that requires an extremely high level of reliability and safety such as:

- Space applications
- Telecommunication equipment [trunk lines]
- Nuclear power control equipment
- Medical and other life support equipment (e.g., scuba).

· If the SHARP devices listed in this publication fall within the scope of strategic products described in the Foreign Exchange and Foreign Trade Law of Japan, it is necessary to obtain approval to export such SHARP devices.

· This publication is the proprietary product of SHARP and is copyrighted, with all rights reserved. Under the copyright laws, no part of this publication may be reproduced or transmitted in any form or by any means, electronic or mechanical, for any purpose, in whole or in part, without the express written permission of SHARP. Express written permission is also required before any use of this publication may be made by a third party.

· Contact and consult with a SHARP representative if there are any questions about the contents of this publication.