



Chipsmall Limited consists of a professional team with an average of over 10 year of expertise in the distribution of electronic components. Based in Hongkong, we have already established firm and mutual-benefit business relationships with customers from,Europe,America and south Asia,supplying obsolete and hard-to-find components to meet their specific needs.

With the principle of “Quality Parts,Customers Priority,Honest Operation,and Considerate Service”,our business mainly focus on the distribution of electronic components. Line cards we deal with include Microchip,ALPS,ROHM,Xilinx,Pulse,ON,Everlight and Freescale. Main products comprise IC,Modules,Potentiometer,IC Socket,Relay,Connector.Our parts cover such applications as commercial,industrial, and automotives areas.

We are looking forward to setting up business relationship with you and hope to provide you with the best service and solution. Let us make a better world for our industry!



Contact us

Tel: +86-755-8981 8866 Fax: +86-755-8427 6832

Email & Skype: info@chipsmall.com Web: www.chipsmall.com

Address: A1208, Overseas Decoration Building, #122 Zhenhua RD., Futian, Shenzhen, China

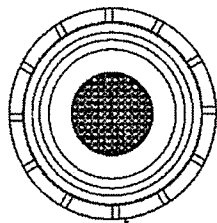
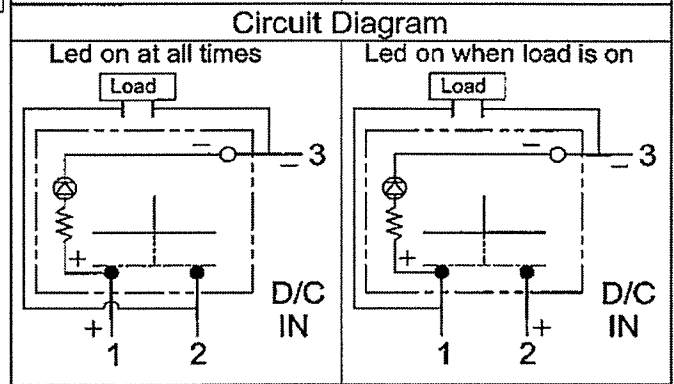
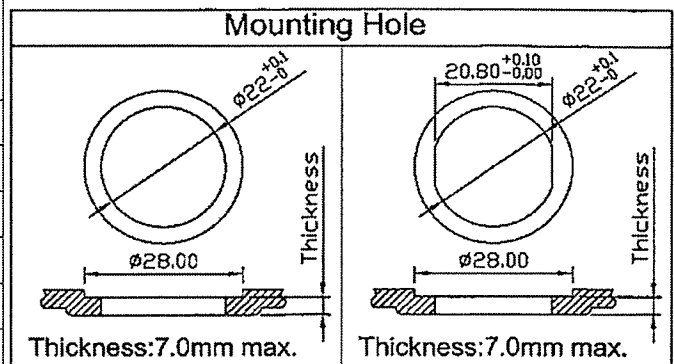


THIS INFORMATION IS CONFIDENTIAL AND PROPRIETARY TO CW INDUSTRIES INCORPORATED AND ITS AFFILIATES. IT MAY NOT BE DISCLOSED TO ANYONE, OTHER THAN CW INDUSTRIES PERSONNEL, WITHOUT WRITTEN AUTHORIZATION FROM CW INDUSTRIES INCORPORATED, SOUTHAMPTON, PENNSYLVANIA USA.

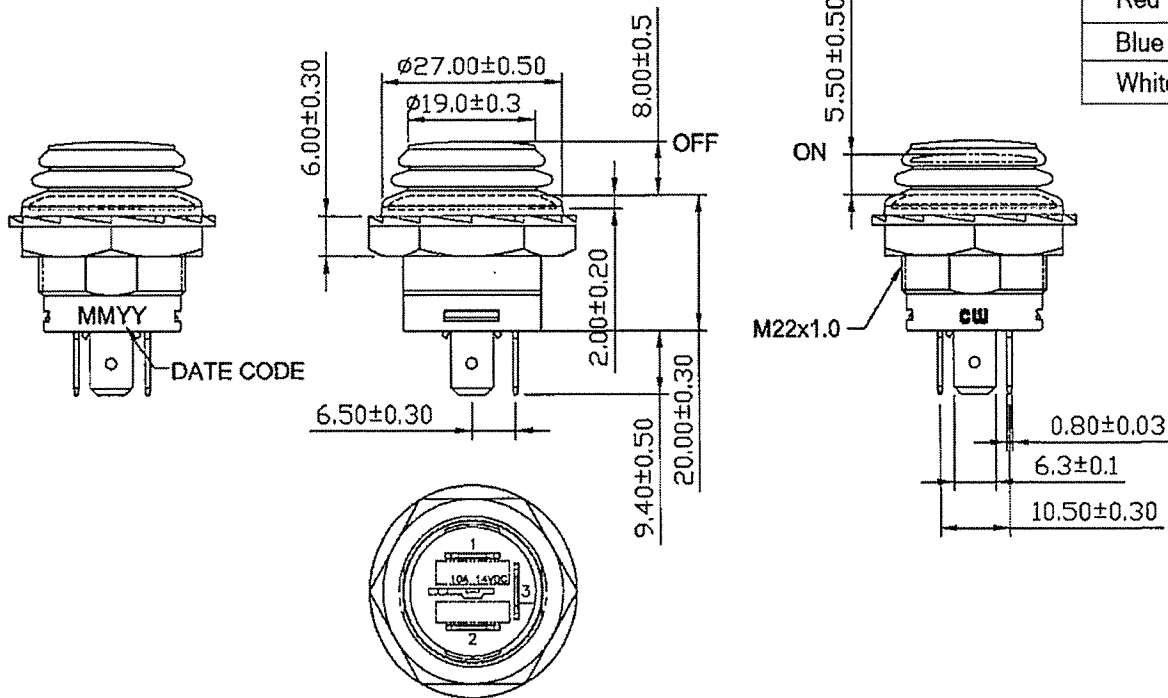
| | |
|-----------------------|--------------------------------|
| Rating | 10A 14VDC |
| Contact Resistance | 50m ohm Max. |
| Insulation Resistance | DC 500V 100M ohm Min. |
| Dielectric Strength | AC 1500V 1 minute |
| Operation Temperature | -25 °C ~ 85 °C |
| Switch Function | 3P SPST OFF - ON LED Dependent |
| Lamp Type | LED 12VDC 14V w/resistor |

MATERIAL:

Frame: Black, Nylon 66 (94-V2)
 Actuator: PC Clear (94-V2), For Color Ref. "X"
 in Actuator/LED Color Chart and CW P/N.
 LED: For Color Ref. "X" in Actuator/LED Color
 Chart and CW P/N.
 Waterproof Rubber: Black, Silicone
 Printed: None
 Waterproof: IP65
 Electrical life at full load: 20,000 cycles.



| Actuator/LED Color | X |
|--------------------|---|
| Amber | A |
| Green | G |
| Red | R |
| Blue | U |
| White | W |



RoHS Compliant

| | | | | |
|---|----------------------------------|--------|------------------------------|----------------------------|
| <p>CW INDUSTRIES Southampton, Pa. 18966 Tel 215.355.7080/www.cwind.com</p> | Date Drawn: 6-05-12 | Rev. 0 | Unit: mm | Checked By: <i>G. Gold</i> |
| | Title: PUSH BUTTON SWITCH | | CW P/N: GPB553B2L01BX | |