



Chipsmall Limited consists of a professional team with an average of over 10 year of expertise in the distribution of electronic components. Based in Hongkong, we have already established firm and mutual-benefit business relationships with customers from,Europe,America and south Asia,supplying obsolete and hard-to-find components to meet their specific needs.

With the principle of "Quality Parts,Customers Priority,Honest Operation,and Considerate Service",our business mainly focus on the distribution of electronic components. Line cards we deal with include Microchip,ALPS,ROHM,Xilinx,Pulse,ON,Everlight and Freescale. Main products comprise IC,Modules,Potentiometer,IC Socket,Relay,Connector.Our parts cover such applications as commercial,industrial, and automotives areas.

We are looking forward to setting up business relationship with you and hope to provide you with the best service and solution. Let us make a better world for our industry!



## Contact us

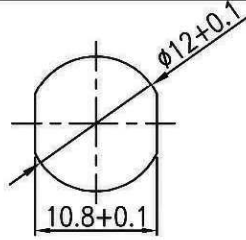
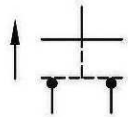
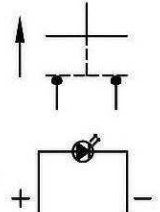
Tel: +86-755-8981 8866 Fax: +86-755-8427 6832

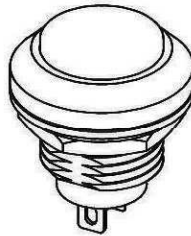
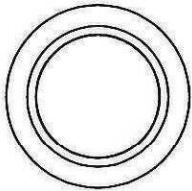
Email & Skype: info@chipsmall.com Web: www.chipsmall.com

Address: A1208, Overseas Decoration Building, #122 Zhenhua RD., Futian, Shenzhen, China

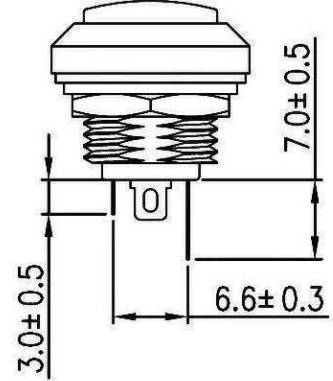
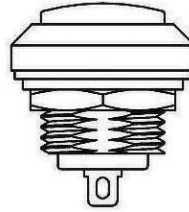
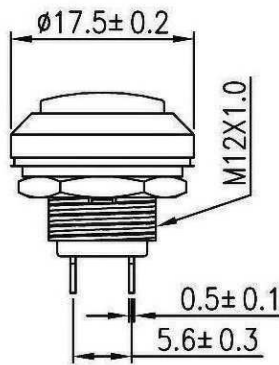
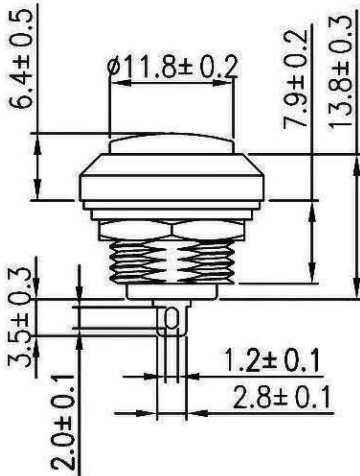


THIS INFORMATION IS CONFIDENTIAL AND PROPRIETARY TO CW INDUSTRIES INCORPORATED AND ITS AFFILIATES. IT MAY NOT BE DISCLOSED TO ANYONE, OTHER THAN CW INDUSTRIES PERSONNEL, WITHOUT WRITTEN AUTHORIZATION FROM CW INDUSTRIES INCORPORATED, SOUTHAMPTON, PENNSYLVANIA USA.

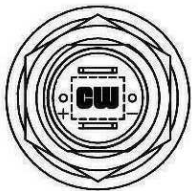
<b>Rating</b>	400mA 32VAC 125mA 125VAC 100mA 50VDC	<b>Mounting Hole</b> 	<b>Circuit Diagram</b> <b>A</b>  <b>AL</b> 
<b>Contact Resistance</b>	50m ohm Max		
<b>Insulation Resistance</b>	DC 500V 100M ohm Min.		
<b>Dielectric Strength</b>	AC 1000V 1minute		
<b>Operation Temperature</b>	-25°C~85°C		
<b>Function</b>	SEE CHART	Thickness: 1.5~4.0mm	<b>LED Rating:</b> @20mA, If=2.0VDC



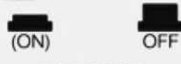


Frame: Black, Nylon 66(94-v2)  
Actuator: Red, Nylon 66(94-v2)  
Base: Black, PBT(94-V0)  
Terminals: Gold plated, Copper  
Waterproof: IP67



**Illuminated Switch**



FUNCTION	TERMINAL
<b>A</b>  2P SPST	0 5  SO
<b>AL</b>  2P SPST (LED)	

( ) = Momentary Function

RoHS Compliant

**CW INDUSTRIES**  
Southampton, Pa. 18966  
Tel 215.355.7080/www.cwind.com

Date Drawn: 1/05/11

Rev. 0

Unit: mm

Checked By: G.GULD

Title:  
**PUSH BUTTON SWITCH**

CW P/N:  
**GPB556XSERIES**