



Chipsmall Limited consists of a professional team with an average of over 10 year of expertise in the distribution of electronic components. Based in Hongkong, we have already established firm and mutual-benefit business relationships with customers from,Europe,America and south Asia,supplying obsolete and hard-to-find components to meet their specific needs.

With the principle of “Quality Parts,Customers Priority,Honest Operation,and Considerate Service”,our business mainly focus on the distribution of electronic components. Line cards we deal with include Microchip,ALPS,ROHM,Xilinx,Pulse,ON,Everlight and Freescale. Main products comprise IC,Modules,Potentiometer,IC Socket,Relay,Connector.Our parts cover such applications as commercial,industrial, and automotives areas.

We are looking forward to setting up business relationship with you and hope to provide you with the best service and solution. Let us make a better world for our industry!



## Contact us

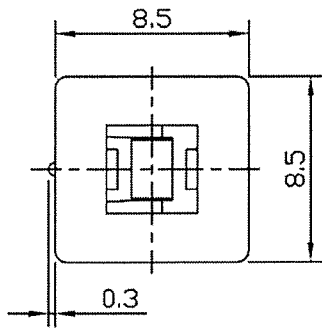
Tel: +86-755-8981 8866 Fax: +86-755-8427 6832

Email & Skype: info@chipsmall.com Web: www.chipsmall.com

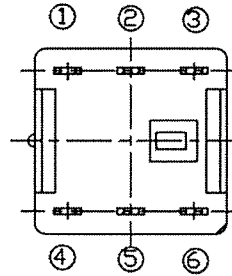
Address: A1208, Overseas Decoration Building, #122 Zhenhua RD., Futian, Shenzhen, China



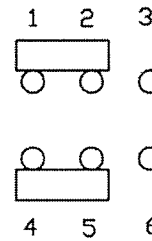
THIS INFORMATION IS CONFIDENTIAL AND PROPRIETARY TO CW INDUSTRIES INCORPORATED AND ITS AFFILIATES. IT MAY NOT BE DISCLOSED TO ANYONE, OTHER THAN CW INDUSTRIES PERSONNEL, WITHOUT WRITTEN AUTHORIZATION FROM CW INDUSTRIES INCORPORATED, SOUTHAMPTON, PENNSYLVANIA USA.



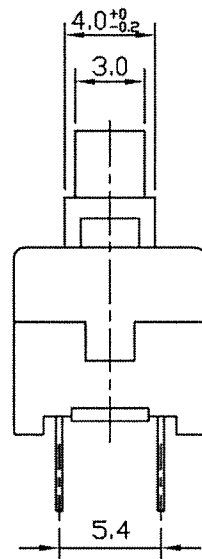
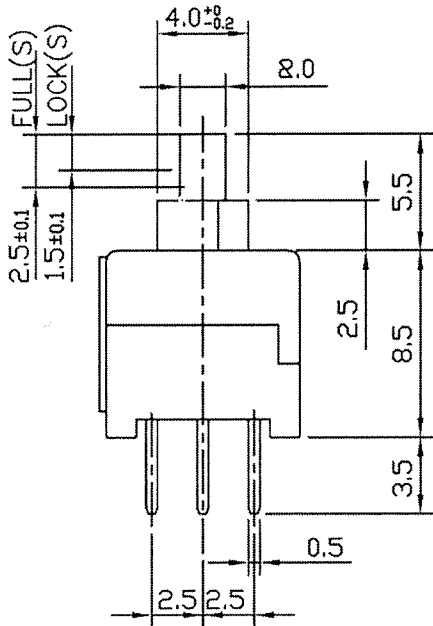
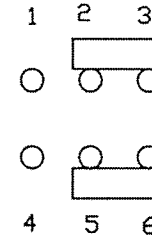
SCHEMATIC



FREE



PUSH



Rating	DC30V 0.3A,DC16V 0.5A
Withstand Voltage	AC250V 1 minute
Insulation Resistance	≥100MΩ DC250V
Contact Resistance	≤50mΩ
Soldering Temp.	245±5°C 5 Sec.
Mechanical Life	100000 cycles
Electrical Life	10000 cycles
Operating Temp.	-25°C - +65°C
Ambient Humidity Used	<85%RH
Operating force	200±80gf

NOTE: TOLERANCES UNLESS OTHERWISE SPECIFIED: ±0.3mm

RoHS Compliant

**CW INDUSTRIES**  
Southampton, Pa. 18966  
Tel 215.355.7080/www.cwind.com

Date Drawn: 3-21-12

Rev. 1

Unit: mm

Checked By: *G. Gold*

Title:  
**PUSH BUTTON SWITCH**

CW P/N:  
**GPBS850L**

1 Added Button to title & Soldering Temp. was Soldering Temper & added Operating Temp. to chart. 11-12-12.