



Chipsmall Limited consists of a professional team with an average of over 10 year of expertise in the distribution of electronic components. Based in Hongkong, we have already established firm and mutual-benefit business relationships with customers from,Europe,America and south Asia,supplying obsolete and hard-to-find components to meet their specific needs.

With the principle of “Quality Parts,Customers Priority,Honest Operation,and Considerate Service”,our business mainly focus on the distribution of electronic components. Line cards we deal with include Microchip,ALPS,ROHM,Xilinx,Pulse,ON,Everlight and Freescale. Main products comprise IC,Modules,Potentiometer,IC Socket,Relay,Connector.Our parts cover such applications as commercial,industrial, and automotives areas.

We are looking forward to setting up business relationship with you and hope to provide you with the best service and solution. Let us make a better world for our industry!



Contact us

Tel: +86-755-8981 8866 Fax: +86-755-8427 6832

Email & Skype: info@chipsmall.com Web: www.chipsmall.com

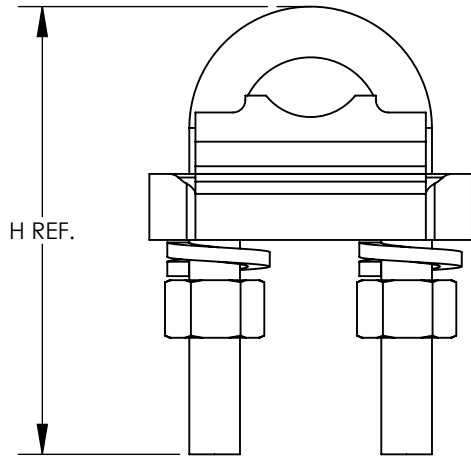
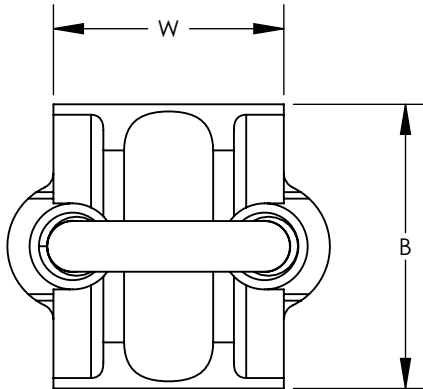
Address: A1208, Overseas Decoration Building, #122 Zhenhua RD., Futian, Shenzhen, China



THIS COPY IS PROVIDED ON A RESTRICTED BASIS AND IS NOT TO BE USED IN ANY WAY DETRIMENTAL TO THE INTERESTS OF PANDUIT CORP.

NOTES:

1. MATERIAL:
BODY: BRONZE (GUN METAL)
NUT/WASHER: PHOS. BRONZE
2. PARTS ARE cULus LISTED TO UL467 AS
GROUNDING & BONDING EQUIPMENT
3. RATED FOR DIRECT BURIAL
4. DIMENSIONS IN PARENTHESIS ARE MILLIMETERS.
5. PACKAGING QTY:
X = 10



PART NUMBER	DESCRIPTION	WIRE RANGE	PIPE SIZE	ROD SIZE
GPC22/0-38-X	GROUND CLAMP CONNECTOR	4 SOL - 2/0 STR	3/8"	5/8" - 3/4"
GPC2250-38-X	GROUND CLAMP CONNECTOR	2/0 SOL - 250 kcmil	3/8"	5/8" - 3/4"

PART NUMBER	DIMENSIONS		
	B	W	H
GPC22/0-38-X	1.62 [41.1]	1.38 [34.9]	2.8 [71.1]
GPC2250-38-X	1.85 [47.0]	1.50 [38.1]	2.8 [71.1]

REV	DATE	BY	CHK	APR	DESCRIPTION	ECN
00	9/13	JHNU	SRBI	RGB	DRAWING RELEASED	13J051AB-JC

TITLE GROUND CLAMP (GPC22/0-38-X, GPC2250-38-X) CUSTOMER DRAWING					
ITEM REVISION NAME	13J051AB/00				
DATASET FILE NAME	13J051AB-JC/00.SLDDRW				
UNLESS OTHERWISE SPECIFIED, DIMENSIONAL TOLERANCES ARE: IN [mm]	<table border="0"> <tr> <td>.X ±</td> <td>.XXX ±</td> </tr> <tr> <td>.XX ± .2 [5.2]</td> <td>ANGLES ±</td> </tr> </table>	.X ±	.XXX ±	.XX ± .2 [5.2]	ANGLES ±
.X ±		.XXX ±			
.XX ± .2 [5.2]	ANGLES ±				
	RGB THIRD ANGLE PROJECTION				
MATERIAL	SEE NOTES				
DRAWING NUMBER	13J051AB-JC				
DRAWN BY	JHNU				
DATE	9/13				
CHK	SRBI				
SCALE	NONE				
SHEET	1 OF 1				
SIZE	A				

