



Chipsmall Limited consists of a professional team with an average of over 10 year of expertise in the distribution of electronic components. Based in Hongkong, we have already established firm and mutual-benefit business relationships with customers from,Europe,America and south Asia,supplying obsolete and hard-to-find components to meet their specific needs.

With the principle of “Quality Parts,Customers Priority,Honest Operation,and Considerate Service”,our business mainly focus on the distribution of electronic components. Line cards we deal with include Microchip,ALPS,ROHM,Xilinx,Pulse,ON,Everlight and Freescale. Main products comprise IC,Modules,Potentiometer,IC Socket,Relay,Connector.Our parts cover such applications as commercial,industrial, and automotives areas.

We are looking forward to setting up business relationship with you and hope to provide you with the best service and solution. Let us make a better world for our industry!



## Contact us

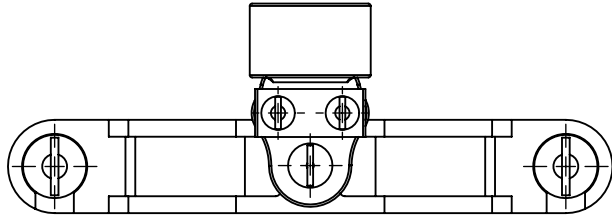
Tel: +86-755-8981 8866 Fax: +86-755-8427 6832

Email & Skype: info@chipsmall.com Web: www.chipsmall.com

Address: A1208, Overseas Decoration Building, #122 Zhenhua RD., Futian, Shenzhen, China

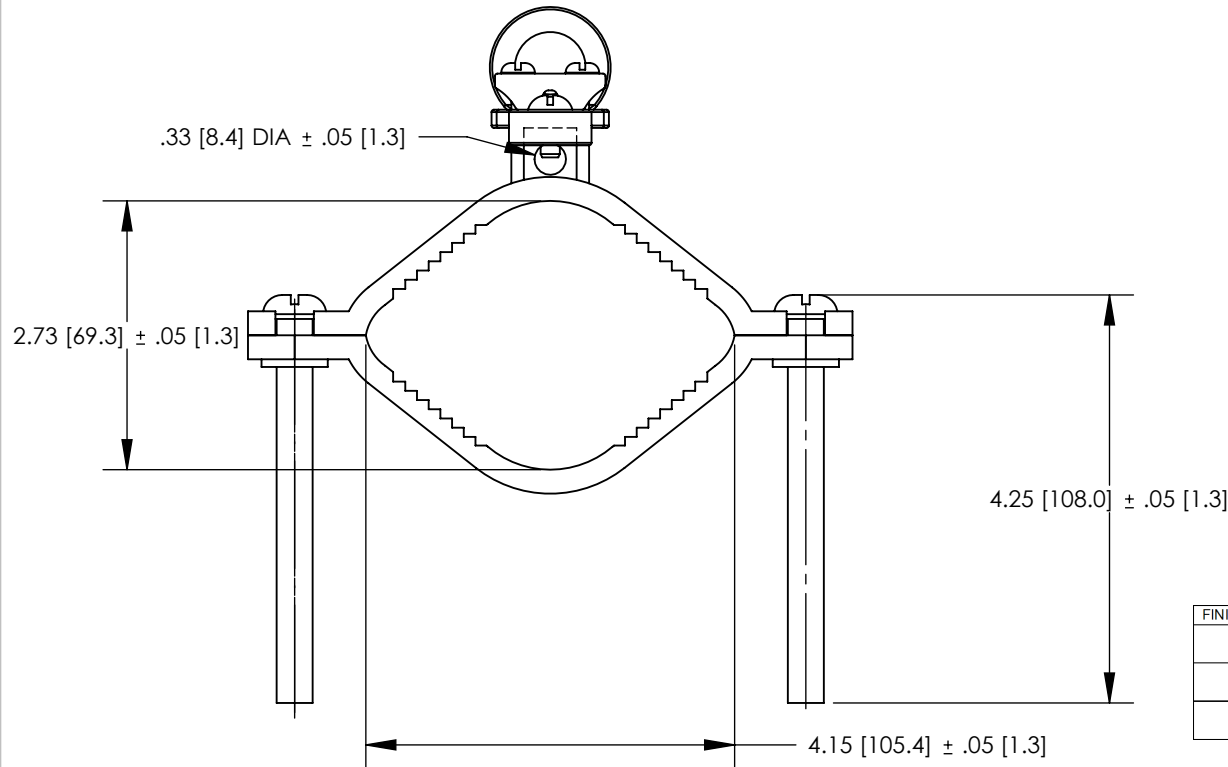
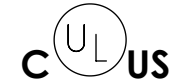


THIS COPY IS PROVIDED ON A RESTRICTED BASIS AND IS NOT TO BE USED IN ANY WAY DETRIMENTAL TO THE INTERESTS OF PANDUIT CORP.



NOTES:

- MATERIAL:  
BODY - BRONZE (GUN METAL)  
SCREW - STEEL, ZINC PLATED
- PARTS ARE cULus LISTED TO UL467 AS  
GROUNDING & BONDING EQUIPMENT.
- SEE WWW.PANDUIT.COM FOR PART NUMBER  
SUFFIX DESIGNATION FOR PACKAGE SIZE.



FINISHED PART NUMBER	DESCRIPTION	WATER PIPE	GROUNDING WIRE
GPCG2/0-4-12	GROUND CLAMP FOR RIGID CONDUIT 360 DEG HUB CONDUIT 1/2"	2-1/2" - 4"	10 - 2/0 STR
GPCG2/0-4-34	GROUND CLAMP FOR RIGID CONDUIT 360 DEG HUB CONDUIT 3/4"	2-1/2" - 4"	10 - 2/0 STR
GPCG3/0-4-1	GROUND CLAMP FOR RIGID CONDUIT 360 DEG HUB CONDUIT 1"	2-1/2" - 4"	10 - 3/0 STR

REV	DATE	BY	CHK	APR	DESCRIPTION	ECN
00	7/12	JHNU	SRBI	RGB	DRAWING RELEASED	10J018AP-JC

TITLE <b>BRONZE GROUND PIPE CLAMP - 2-1/2" - 4" CUSTOMER DRAWING</b>	
ITEM REVISION NAME	10J018AP/00
DATASET FILE NAME	10J018AP-JC/00.SLDDRW
UNLESS OTHERWISE SPECIFIED, DIMENSIONAL TOLERANCES ARE: IN [mm] .X ± .XXX ± .XX ± ANGLES ±	
THIRD ANGLE PROJECTION	
DRAWING NUMBER 10J018AP-JC	
DRAWN BY JHNU	DATE 7/12
CHK SRBI	SCALE N/A
SHEET 1 OF 1	
SIZE A	



MATERIAL  
**SEE NOTES**