



Chipsmall Limited consists of a professional team with an average of over 10 year of expertise in the distribution of electronic components. Based in Hongkong, we have already established firm and mutual-benefit business relationships with customers from,Europe,America and south Asia,supplying obsolete and hard-to-find components to meet their specific needs.

With the principle of “Quality Parts,Customers Priority,Honest Operation,and Considerate Service”,our business mainly focus on the distribution of electronic components. Line cards we deal with include Microchip,ALPS,ROHM,Xilinx,Pulse,ON,Everlight and Freescale. Main products comprise IC,Modules,Potentiometer,IC Socket,Relay,Connector.Our parts cover such applications as commercial,industrial, and automotives areas.

We are looking forward to setting up business relationship with you and hope to provide you with the best service and solution. Let us make a better world for our industry!



## Contact us

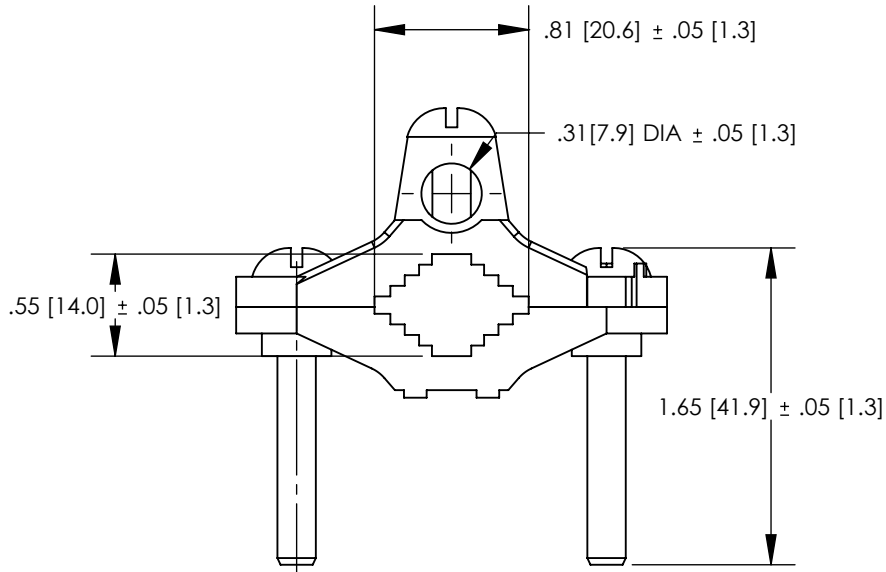
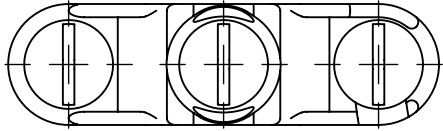
Tel: +86-755-8981 8866 Fax: +86-755-8427 6832

Email & Skype: info@chipsmall.com Web: www.chipsmall.com

Address: A1208, Overseas Decoration Building, #122 Zhenhua RD., Futian, Shenzhen, China



THIS COPY IS PROVIDED ON A RESTRICTED BASIS AND IS NOT TO BE USED IN ANY WAY DETRIMENTAL TO THE INTERESTS OF PANDUIT CORP.



NOTES:

- MATERIAL:  
BODY - DIE CAST ZINC  
SCREW - STEEL, ZINC PLATED
- PARTS ARE cULus LISTED TO UL467 AS  
GROUNDING & BONDING EQUIPMENT.
- SEE WWW.PANDUIT.COM FOR PART NUMBER  
SUFFIX DESIGNATION FOR PACKAGE SIZE.



PART NUMBER	DESCRIPTION	WATER PIPE	GROUNDING WIRE
GPCZ2-1	ZINC PIPE CLAMP	1/2" - 1"	8 - 2 STR

REV	DATE	BY	CHK	APR	DESCRIPTION	ECN
01	10/12	JHNU	SRBI	RGB	REMOVED GPCY2-1 FROM DRAWING	10J018AT-JC
00	7/12	JHNU	SRBI	RGB	DRAWING RELEASED	10J018AT-JC

TITLE <b>GROUND CLAMP, 1/2"-3/4"-1" CUSTOMER DRAWING</b>	
ITEM REVISION NAME	10J018AT/01
DATASET FILE NAME	10J018AT-JC/01.SLDDRW
UNLESS OTHERWISE SPECIFIED, DIMENSIONAL TOLERANCES ARE: IN [mm] .X ± .XXX ± .XX ± ANGLES ±	
THIRD ANGLE PROJECTION	
DRAWN BY	JHNU
DATE	7/12
CHK	SRBI
SCALE	N/A
MATERIAL <b>SEE NOTES</b>	
DRAWING NUMBER 10J018AT-JC	
SHEET 1 OF 1	
SIZE	<b>A</b>