



Chipsmall Limited consists of a professional team with an average of over 10 year of expertise in the distribution of electronic components. Based in Hongkong, we have already established firm and mutual-benefit business relationships with customers from,Europe,America and south Asia,supplying obsolete and hard-to-find components to meet their specific needs.

With the principle of “Quality Parts,Customers Priority,Honest Operation,and Considerate Service”,our business mainly focus on the distribution of electronic components. Line cards we deal with include Microchip,ALPS,ROHM,Xilinx,Pulse,ON,Everlight and Freescale. Main products comprise IC,Modules,Potentiometer,IC Socket,Relay,Connector.Our parts cover such applications as commercial,industrial, and automotives areas.

We are looking forward to setting up business relationship with you and hope to provide you with the best service and solution. Let us make a better world for our industry!



Contact us

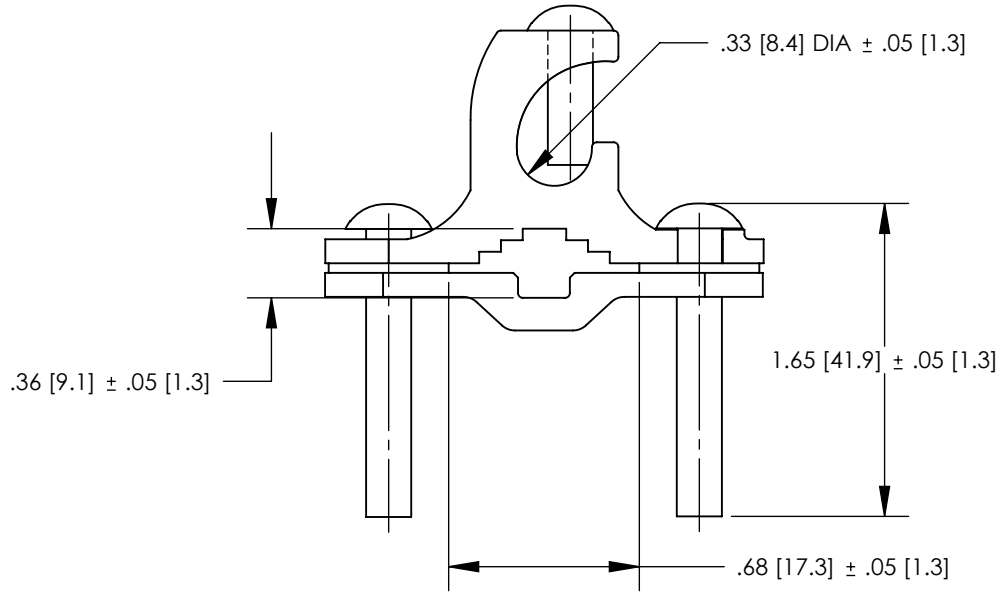
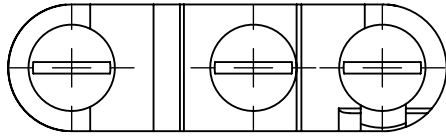
Tel: +86-755-8981 8866 Fax: +86-755-8427 6832

Email & Skype: info@chipsmall.com Web: www.chipsmall.com

Address: A1208, Overseas Decoration Building, #122 Zhenhua RD., Futian, Shenzhen, China

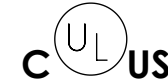


THIS COPY IS PROVIDED ON A RESTRICTED BASIS AND IS NOT TO BE USED IN ANY WAY DETRIMENTAL TO THE INTERESTS OF PANDUIT CORP.



NOTES:

1. MATERIAL:
 BODY - BRONZE (GUN METAL)
 SCREW - PHOS. BRONZE
 WASHER - COPPER
2. PARTS ARE cULus LISTED TO UL467 AS
 GROUNDING & BONDING EQUIPMENT.
3. RATED FOR DIRECT BURIAL
4. SEE WWW.PANDUIT.COM FOR PART NUMBER
 SUFFIX DESIGNATION FOR PACKAGING SIZE.



| PART NUMBER | DESCRIPTION | WATER PIPE | GROUNDING WIRE |
|-------------|--|------------|----------------|
| GPLAC2-1 | GROUND CLAMP BARE WIRE DIRECT BURIAL LAY-IN FEATURE | 1/2" - 1" | 10 - 2 STR |

| REV | DATE | BY | CHK | APR | DESCRIPTION | ECN |
|-----|------|------|------|-----|------------------|-------------|
| 00 | 7/12 | JHNU | SRBI | RGB | DRAWING RELEASED | 10J018AC-JC |

| | |
|---|------------------|
| TITLE BRONZE GROUND PIPE CLAMP 1/2"-1" DIRECT BURIAL (GPLAC2-1) CUSTOMER DRAWING | |
| ITEM REVISION NAME 10J018AC/00 | PANDUIT ™ |
| DATASET FILE NAME 10J018AC-JC/00.SLDDRW | |
| UNLESS OTHERWISE SPECIFIED, DIMENSIONAL TOLERANCES ARE: IN [mm] .X ± .XXX ± .XX ± ANGLES ± | |
| THIRD ANGLE PROJECTION | |
| DRAWING NUMBER 10J018AC-JC | |
| DRAWN BY JHNU | DATE 7/12 |
| CHK SRBI | SCALE N/A |
| SHEET 1 OF 1 | |
| SIZE A | |