



Chipsmall Limited consists of a professional team with an average of over 10 year of expertise in the distribution of electronic components. Based in Hongkong, we have already established firm and mutual-benefit business relationships with customers from,Europe,America and south Asia,supplying obsolete and hard-to-find components to meet their specific needs.

With the principle of “Quality Parts,Customers Priority,Honest Operation,and Considerate Service”,our business mainly focus on the distribution of electronic components. Line cards we deal with include Microchip,ALPS,ROHM,Xilinx,Pulse,ON,Everlight and Freescale. Main products comprise IC,Modules,Potentiometer,IC Socket,Relay,Connector.Our parts cover such applications as commercial,industrial, and automotives areas.

We are looking forward to setting up business relationship with you and hope to provide you with the best service and solution. Let us make a better world for our industry!



## Contact us

Tel: +86-755-8981 8866 Fax: +86-755-8427 6832

Email & Skype: info@chipsmall.com Web: www.chipsmall.com

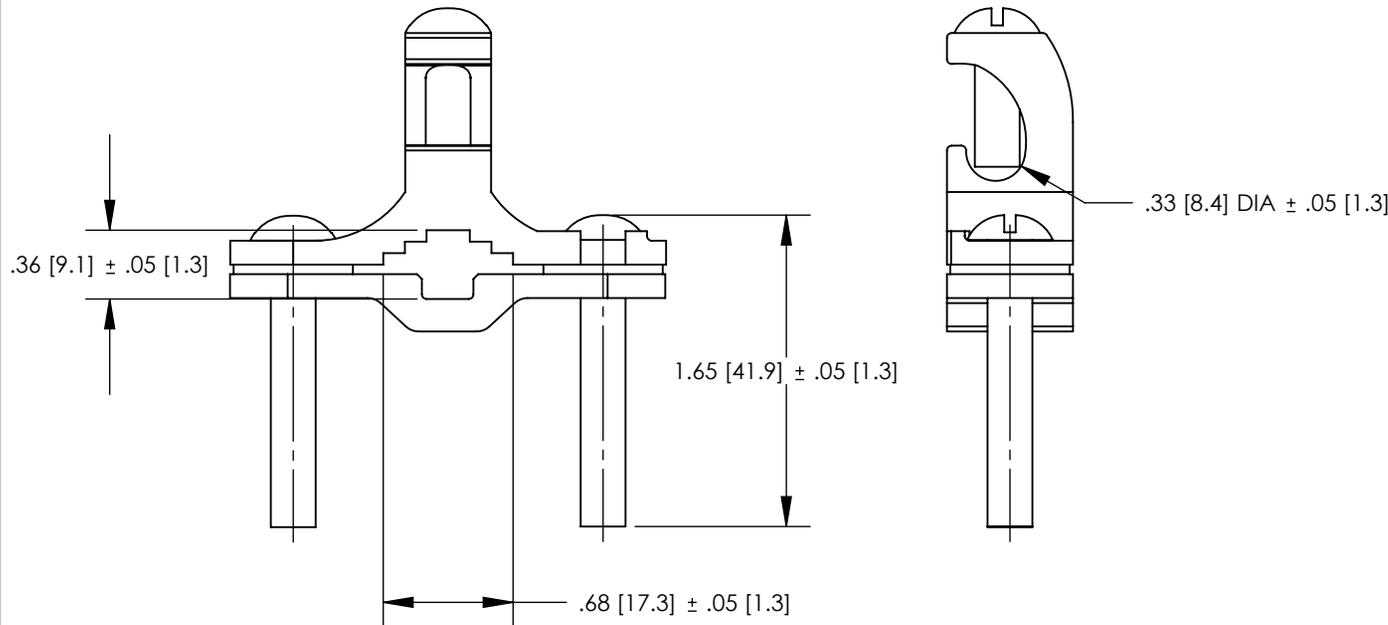
Address: A1208, Overseas Decoration Building, #122 Zhenhua RD., Futian, Shenzhen, China



THIS COPY IS PROVIDED ON A RESTRICTED BASIS AND IS NOT TO BE USED IN ANY WAY DETRIMENTAL TO THE INTERESTS OF PANDUIT CORP.

NOTES:

1. MATERIAL:  
BODY - BRONZE (GUN METAL)  
SCREW - PHOS. BRONZE
2. PARTS ARE cULus LISTED TO UL467 AS  
GROUNDING & BONDING EQUIPMENT.
3. RATED FOR DIRECT BURIAL
4. SEE WWW.PANDUIT.COM FOR PART NUMBER  
SUFFIX DESIGNATION FOR PACKAGE SIZE.



| PART NUMBER | DESCRIPTION   | WATER PIPE | GROUNDING WIRE |
|-------------|---|------------|----------------|
| GPLBC2-1    | GROUND CLAMP FOR BARE WIRE, DIRECT BURIAL WITH LAY-IN FEATURE | 1/2" - 1"  | 10 - 2 STR     |

| REV | DATE | BY   | CHK  | APR | DESCRIPTION      | ECN         |
|-----|------|------|------|-----|------------------|-------------|
| 00  | 7/12 | JHNU | SRBI | RGB | DRAWING RELEASED | 10J018AL-JC |

TITLE  
YELLOW/RED BRASS GROUND PIPE CLAMP - 1/2"-1"  
(GPLBC2-1)  
CUSTOMER DRAWING

ITEM REVISION NAME 10J018AL/00

DATASET FILE NAME 10J018AL-JC/00.SLDDRW

UNLESS OTHERWISE SPECIFIED,  
DIMENSIONAL TOLERANCES ARE: IN [mm]

.X ± .XXX ±  
.XX ± ANGLES ±

THIRD ANGLE  
PROJECTION

DRAWN BY JHNU DATE 7/12 CHK SRBI SCALE N/A

MATERIAL  
**PANDUIT**<sup>TM</sup>  
SEE NOTES

DRAWING NUMBER 10J018AL-JC

SHEET 1 OF 1 SIZE A