



Chipsmall Limited consists of a professional team with an average of over 10 year of expertise in the distribution of electronic components. Based in Hongkong, we have already established firm and mutual-benefit business relationships with customers from,Europe,America and south Asia,supplying obsolete and hard-to-find components to meet their specific needs.

With the principle of “Quality Parts,Customers Priority,Honest Operation,and Considerate Service”,our business mainly focus on the distribution of electronic components. Line cards we deal with include Microchip,ALPS,ROHM,Xilinx,Pulse,ON,Everlight and Freescale. Main products comprise IC,Modules,Potentiometer,IC Socket,Relay,Connector.Our parts cover such applications as commercial,industrial, and automotives areas.

We are looking forward to setting up business relationship with you and hope to provide you with the best service and solution. Let us make a better world for our industry!



Contact us

Tel: +86-755-8981 8866 Fax: +86-755-8427 6832

Email & Skype: info@chipsmall.com Web: www.chipsmall.com

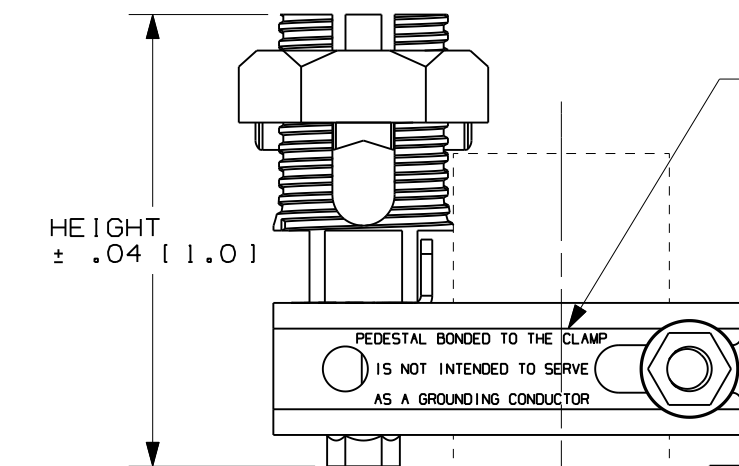
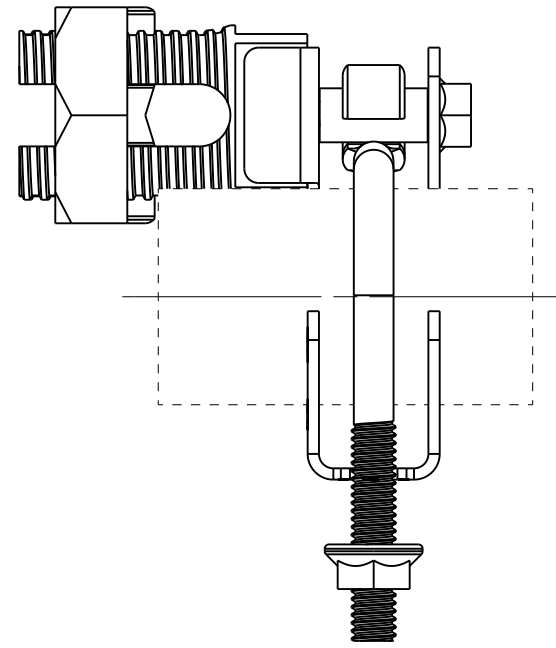
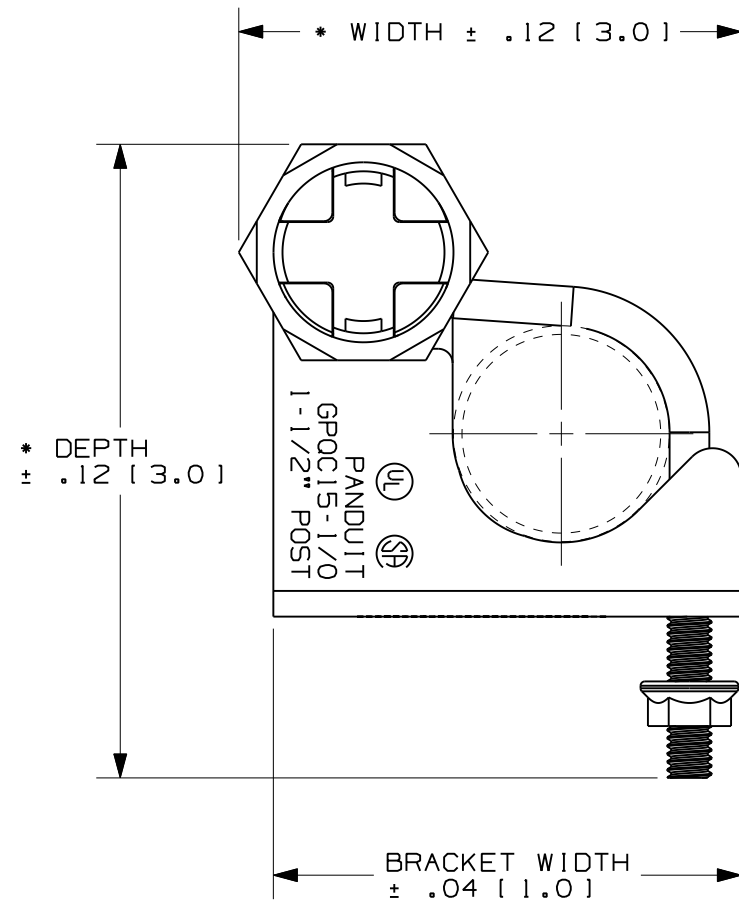
Address: A1208, Overseas Decoration Building, #122 Zhenhua RD., Futian, Shenzhen, China



THIS COPY IS PROVIDED ON A RESTRICTED BASIS AND IS NOT TO BE USED IN ANY WAY DETRIMENTAL TO THE INTERESTS OF PANDUIT CORP.

NOTES:

1. PACKAGING: 1 KIT PER BAG
10 BAGS PER CARTON
2. DIMENSIONS IN PARENTHESIS ARE MILLIMETERS.
3. FOR USE WITH COPPER WIRE RANGE #6 AWG SOLID TO 1/0 STRANDED (16 TO 50mm²)
4. SEE TABLE FOR PEDESTAL TYPE AND SIZES
5. INSTALLATION TORQUE OF 32 LB-FT (43.5 N.m) ON WIRES AND 12.5 LB-FT (17 N.m) ON POST.
6. WIRE CLAMP MADE OF HIGH CONDUCTIVITY BRONZE ALLOY.
7. *) DIMENSIONS ARE APPROXIMATE DUE TO MOVABLE COMPONENTS.
8. PRODUCTS ARE UL LISTED AND CSA CERTIFIED.



NOTE:

1. THE CLAMP CREATES A UL LISTED BOND TO THE ACCESS FLOOR.
2. SOME ACCESS FLOORS ARE NOT RATED AS GROUNDING ELECTRODE CONDUCTORS (GEC).
3. USING THIS CLAMP TO BOND THE FLOOR TO A GRID OF CONDUCTORS RESULTS IN A GROUNDED FLOOR.

PANDUIT PART NUMBER	DIMENSIONS - IN [mm]				PEDESTAL SIZE & TYPE
	WIDTH	BRACKET WIDTH	DEPTH	HEIGHT	
GPOC07-1/0	3.38 [85.9]	3.25 [82.6]	4.25 [108.0]	3.19 [81.0]	3/4" ROUND 7/8" ROUND
GPOC10-1/0	3.38 [85.9]	3.25 [82.6]	4.19 [106.4]	3.19 [81.0]	7/8" SQUARE 1" ROUND 1-1/8" ROUND
GPOC12-1/0	3.44 [87.4]	3.25 [82.6]	4.53 [115.1]	3.19 [81.0]	1-1/4" ROUND
GPOC15-1/0	3.44 [87.4]	3.25 [82.6]	4.47 [113.5]	3.19 [81.0]	1-1/2" ROUND
GPOC17-1/0	N/A	4.00 [101.6]	5.19 [131.8]	3.19 [81.0]	1-3/4" ROUND
GPOC20-1/0	N/A	4.00 [101.6]	5.06 [128.5]	3.19 [81.0]	2" ROUND

CAD FILENAME/LAYERS N10943AB_DC_GPOC_05B

PANDUIT CORP TINLEY PARK, ILLINOIS
GROUNDING PEDESTAL QUAD CLAMPS
CUSTOMER DRAWING

UNLESS OTHERWISE SPECIFIED, DIMENSIONAL TOLERANCES ARE:
(.X) ± (.XXX) ±
(.XX) ± ANGLES ±

UNLESS OTHERWISE SPECIFIED, ALL DIMENSIONS ARE GIVEN IN INCHES, THIRD ANGLE PROJECTION

DRAWN BY JHNU MAT'L:
DATE 2/08
SCALE NONE
DRAWING NO. C41746 DWG SIZE B

REV	DATE	BY	CHK	DESCRIPTION	ECN	QA	SUP
05	11/10	JHNU	JHNU	REVISED VIEWS TO SHOW STAMPING ON BRACKET			
04	10/08	JHNU	RWK	ADDED PART NUMBERS GPOC17-1/0 & GPOC20-1/0			
03	9/08	JHNU	RWK	REVISED DIMENSION LOCATIONS, ADDED BRACKET WIDTH DIM. REVISED DIMENSIONS TO REFLECT LOCATION CHANGES			
02	9/08	JHNU	RWK	REVISED HEIGHT DIMENSION: 3.17 WAS 3.03 ADDED ±.06 TOLERANCES, ADDED NOTE 7			
01	6/08	JHNU	RWK	REVISED HEIGHT DIMENSION: 3.17 WAS 3.03 ADDED ±.06 TOLERANCES, ADDED NOTE 7			
00	6/08	JHNU	RWK	DRAWING RELEASED			