



Chipsmall Limited consists of a professional team with an average of over 10 year of expertise in the distribution of electronic components. Based in Hongkong, we have already established firm and mutual-benefit business relationships with customers from,Europe,America and south Asia,supplying obsolete and hard-to-find components to meet their specific needs.

With the principle of “Quality Parts,Customers Priority,Honest Operation,and Considerate Service”,our business mainly focus on the distribution of electronic components. Line cards we deal with include Microchip,ALPS,ROHM,Xilinx,Pulse,ON,Everlight and Freescale. Main products comprise IC,Modules,Potentiometer,IC Socket,Relay,Connector.Our parts cover such applications as commercial,industrial, and automotives areas.

We are looking forward to setting up business relationship with you and hope to provide you with the best service and solution. Let us make a better world for our industry!



## Contact us

Tel: +86-755-8981 8866 Fax: +86-755-8427 6832

Email & Skype: info@chipsmall.com Web: www.chipsmall.com

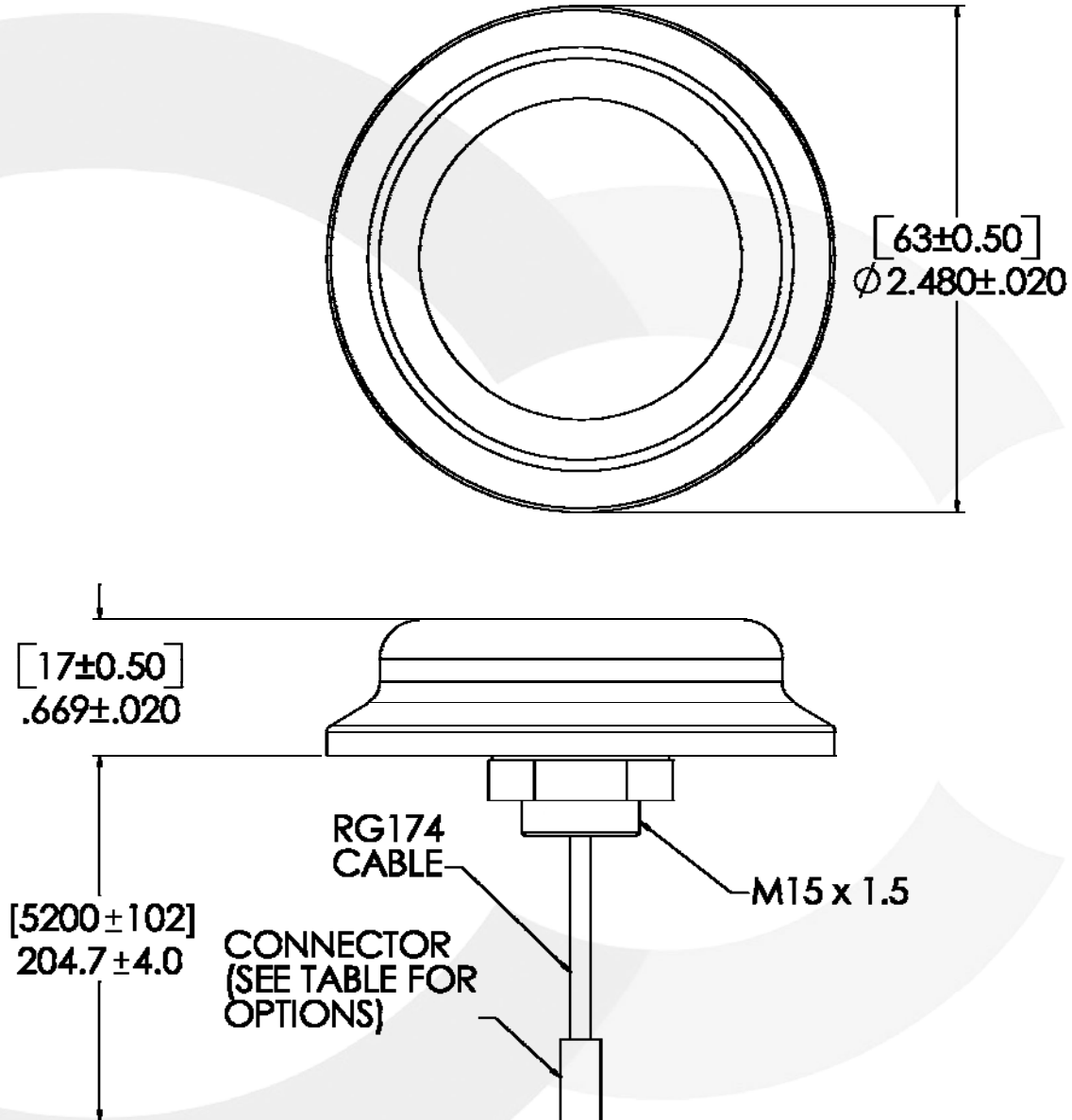
Address: A1208, Overseas Decoration Building, #122 Zhenhua RD., Futian, Shenzhen, China



**GPS DIRECT MOUNT**

**GPSDM02-12**

Series : ANTENNA



MODEL	CONNECTOR
GPSDM02	MCX
GPSDM04	MMCX
GPSDM06	SMB
GPSDM08	SMA
GPSDM10	BNC
GPSDM12	No Conn

All dimensions are in inches  
 [] dimensions in mm

Issue : 0710

In the effort to improve our products, we reserve the right to make changes judged to be necessary.



GPS DIRECT MOUNT

**GPSDM02-12**

Series : ANTENNA

**ELECTRICAL SPECIFICATIONS**Frequency :..... **1575.42 MHz**Nominal Impedance :..... **50  $\Omega$** VSWR :..... **2:1 Max**Gain @ Zenith: **+5 dBic**Gain @ 10° Elevation: **-1 dBic**Polarization : ..... **Right Hand Circular**Voltage: ..... **5 V DC**Connector type : ..... **SMA, SMB, MCX,  
MMCX, BNC**Cable type : ..... **RG-174**Length : ..... **17 Feet****MECHANICAL SPECIFICATIONS**Plastic radome : ..... **Polycarbonate-polyester  
plastic blend**Color : ..... **Black or White**Diameter:..... **2.5 inches**Height : ..... **.07 inches**Mounting Type: **Bolt mount requiring 3/8"  
to 3/4" hole**Optional Mounting: **Die cut double sided tape  
on bottom of antenna****ENVIRONMENTAL SPECIFICATIONS**Operating temperature :..... **-30 to +80 ° C**