



Chipsmall Limited consists of a professional team with an average of over 10 year of expertise in the distribution of electronic components. Based in Hongkong, we have already established firm and mutual-benefit business relationships with customers from,Europe,America and south Asia,supplying obsolete and hard-to-find components to meet their specific needs.

With the principle of “Quality Parts,Customers Priority,Honest Operation,and Considerate Service”,our business mainly focus on the distribution of electronic components. Line cards we deal with include Microchip,ALPS,ROHM,Xilinx,Pulse,ON,Everlight and Freescale. Main products comprise IC,Modules,Potentiometer,IC Socket,Relay,Connector.Our parts cover such applications as commercial,industrial, and automotives areas.

We are looking forward to setting up business relationship with you and hope to provide you with the best service and solution. Let us make a better world for our industry!



Contact us



Tel: +86-755-8981 8866 Fax: +86-755-8427 6832

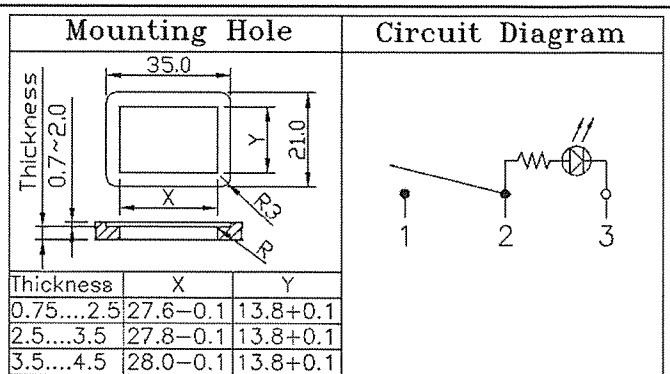
Email & Skype: info@chipsmall.com Web: www.chipsmall.com

Address: A1208, Overseas Decoration Building, #122 Zhenhua RD., Futian, Shenzhen, China

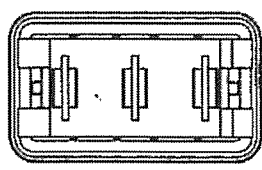
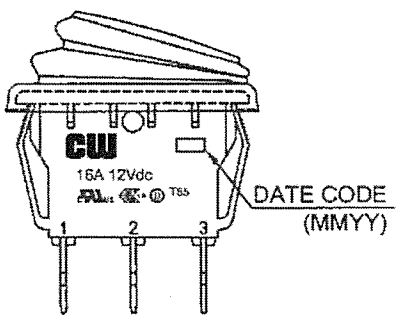
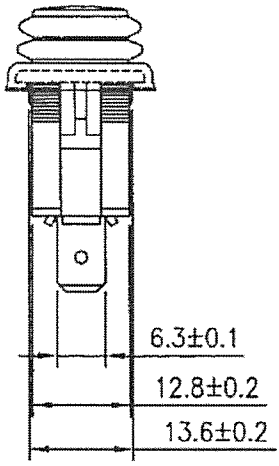
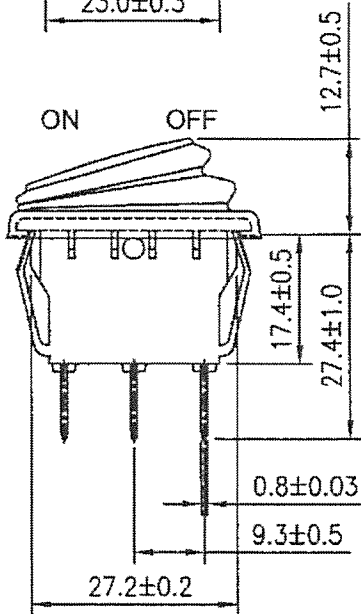
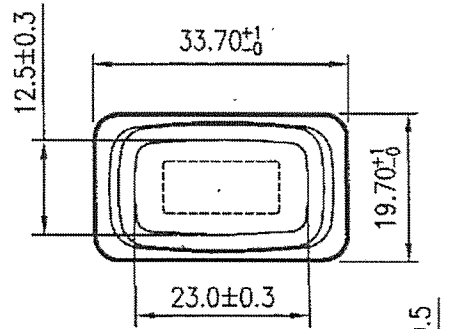


THIS INFORMATION IS CONFIDENTIAL AND PROPRIETARY TO CW INDUSTRIES INCORPORATED AND ITS AFFILIATES. IT MAY NOT BE DISCLOSED TO ANYONE, OTHER THAN CW INDUSTRIES PERSONNEL, WITHOUT WRITTEN AUTHORIZATION FROM CW INDUSTRIES INCORPORATED, SOUTHAMPTON, PENNSYLVANIA USA.

Rating	16A 12Vdc   T85	
Contact Resistance	50m ohm Max.	
Insulation Resistance	DC 500V 100M ohm Min.	
Dielectric Strength	AC 1500V 1 minute	
Operation Temp.	- 25° C ~ 85° C	
Switch Function	3P SPST ON-OFF Lamp Dependent	
Lamp Type	LED Red 12VDC 14V w/resistor	




MATERIAL:
 Frame: Black, Nylon 66 (94-V2)
 Actuator: Red, PC clear (94-V2)
 Waterproof rubber: Black, Silicone
 Terminals 1,2: Silver plated, Copper alloy
 Terminal 3: Brass alloy
 Printed: None
 IP rating: IP65
 LED: Red



Order Chart									
Series	Frame Color	Led Color	Lamp Type						
GRB238	B8	01	B R R	L	1	Z	Rating		
Function		Terminal Type		Actuator Color		Voltage			

Replacing GRB238B801BR1

R13-238B8-01

 INDUSTRIES Southampton, Pa. 18966 Tel 215.355.7080/www.cwind.com	Date Drawn: 1/18/18	Rev. 0	Unit: mm	Checked By: <i>G. GULD</i>
	Title: ROCKER SWITCH	CW P/N: GRB238B801BRRL1 Z		