



Chipsmall Limited consists of a professional team with an average of over 10 year of expertise in the distribution of electronic components. Based in Hongkong, we have already established firm and mutual-benefit business relationships with customers from,Europe,America and south Asia,supplying obsolete and hard-to-find components to meet their specific needs.

With the principle of "Quality Parts,Customers Priority,Honest Operation,and Considerate Service",our business mainly focus on the distribution of electronic components. Line cards we deal with include Microchip,ALPS,ROHM,Xilinx,Pulse,ON,Everlight and Freescale. Main products comprise IC,Modules,Potentiometer,IC Socket,Relay,Connector.Our parts cover such applications as commercial,industrial, and automotives areas.

We are looking forward to setting up business relationship with you and hope to provide you with the best service and solution. Let us make a better world for our industry!



Contact us



Tel: +86-755-8981 8866 Fax: +86-755-8427 6832

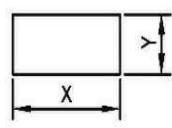
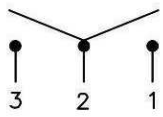
Email & Skype: info@chipsmall.com Web: www.chipsmall.com

Address: A1208, Overseas Decoration Building, #122 Zhenhua RD., Futian, Shenzhen, China

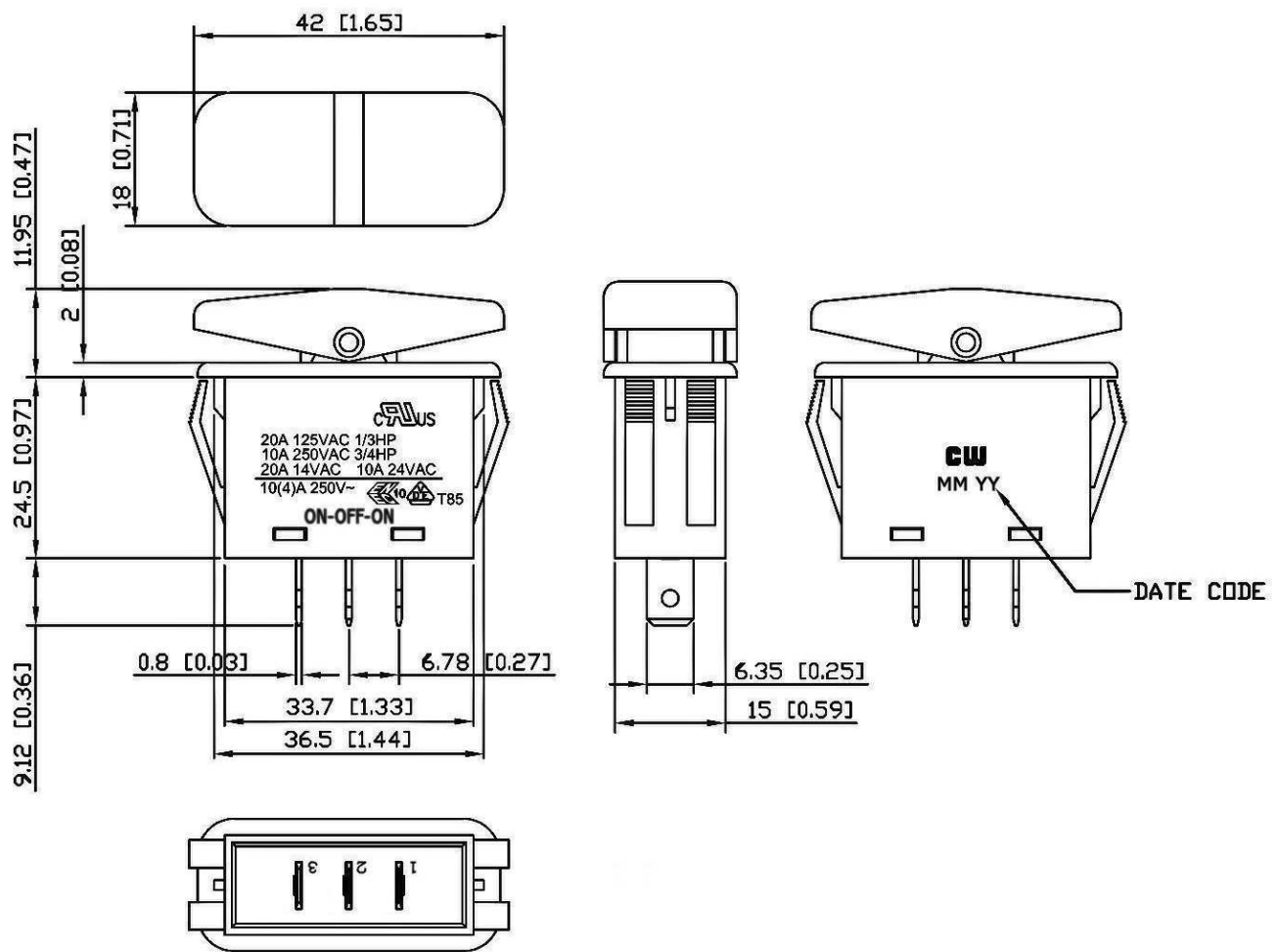


THIS INFORMATION IS CONFIDENTIAL AND PROPRIETARY TO CW INDUSTRIES INCORPORATED AND ITS AFFILIATES. IT MAY NOT BE DISCLOSED TO ANYONE, OTHER THAN CW INDUSTRIES PERSONNEL, WITHOUT WRITTEN AUTHORIZATION FROM CW INDUSTRIES INCORPORATED, SOUTHAMPTON, PENNSYLVANIA USA.

Rating	20A 125VAC 1/3HP 10A 250VAC 3/4HP 20A 14VAC 10A 24VAC	 
	10(4)A 250V~	
Contact Resistance	50m ohm Max.	
Insulation Resistance	DC 500V 100M ohm Min.	
Dielectric Strength	AC 1500V 1 minute	
Operation Temp.	- 20 °C ~ 85 °C	
Function	3P SPDT ON-OFF-ON	

Mounting Hole		Circuit Diagram
		
Thickness	X	Y
0.75~5mm 0.03~0.2inch	36.8 ^{+0.2} ₋₀ 1.45 ^{+0.008} ₋₀	15.3 ^{+0.2} ₋₀ .60 ^{+0.008} ₋₀

Material:
 Frame: Black, Nylon# 66
 Actuator: Black, Nylon#66+33%GF
 Printed: None
 Water proof and dust proof to fit IP-56



RoHS Compliant

1 | Rotated bottom view, flipped circuit diagram & added ON-OFF-ON to side of housing. 1/17/11.

CW INDUSTRIES
 Southampton, Pa. 18966
 Tel 215.355.7080/www.cwind.com

Date Drawn: 12/08/10	Rev. 1	Unit: mm	Checked By: G.Guld
Title: ROCKER SWITCH		CW P/N: GRB258D01BB	