



Chipsmall Limited consists of a professional team with an average of over 10 year of expertise in the distribution of electronic components. Based in Hongkong, we have already established firm and mutual-benefit business relationships with customers from,Europe,America and south Asia,supplying obsolete and hard-to-find components to meet their specific needs.

With the principle of “Quality Parts,Customers Priority,Honest Operation,and Considerate Service”,our business mainly focus on the distribution of electronic components. Line cards we deal with include Microchip,ALPS,ROHM,Xilinx,Pulse,ON,Everlight and Freescale. Main products comprise IC,Modules,Potentiometer,IC Socket,Relay,Connector.Our parts cover such applications as commercial,industrial, and automotives areas.

We are looking forward to setting up business relationship with you and hope to provide you with the best service and solution. Let us make a better world for our industry!



Contact us


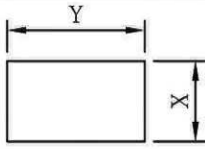
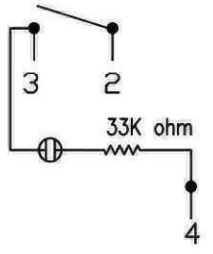
Tel: +86-755-8981 8866 Fax: +86-755-8427 6832

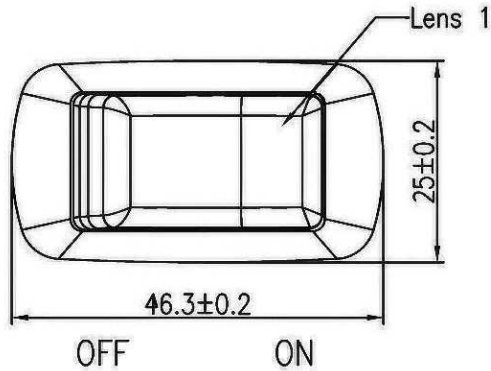
Email & Skype: info@chipsmall.com Web: www.chipsmall.com

Address: A1208, Overseas Decoration Building, #122 Zhenhua RD., Futian, Shenzhen, China

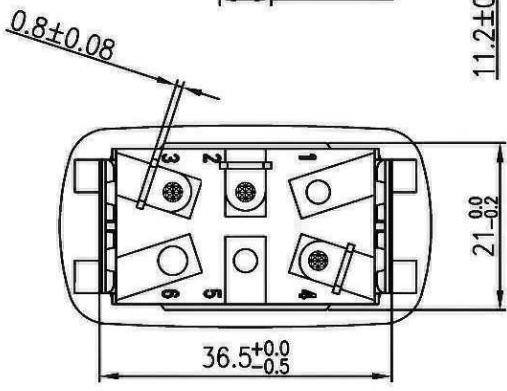
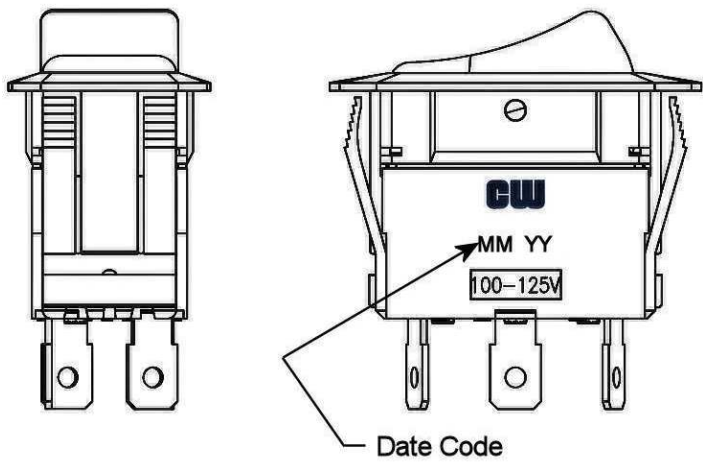
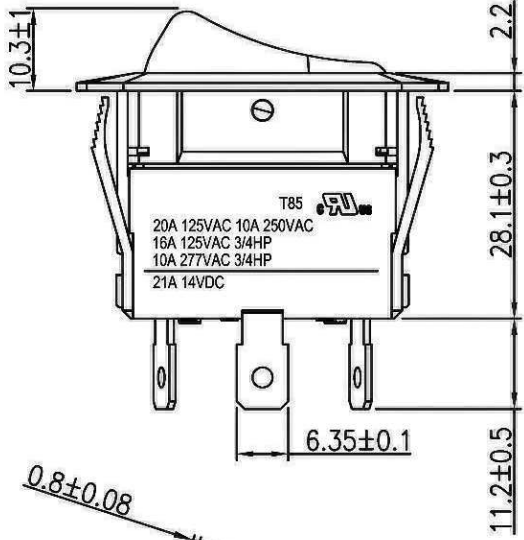


THIS INFORMATION IS CONFIDENTIAL AND PROPRIETARY TO CW INDUSTRIES INCORPORATED AND ITS AFFILIATES. IT MAY NOT BE DISCLOSED TO ANYONE, OTHER THAN CW INDUSTRIES PERSONNEL, WITHOUT WRITTEN AUTHORIZATION FROM CW INDUSTRIES INCORPORATED, SOUTHAMPTON, PENNSYLVANIA USA.

Rating	20A 125VAC 10A 250VAC 16A 125VAC 3/4HP 10A 277VAC 3/4HP 	Mounting Hole	Circuit Diagram									
	21A 14VDC											
Configured For	250VAC 277VAC											
Contact Resistance	50m ohm Max.											
Insulation Resistance	DC 500V 100M ohm Min.											
Dielectric Strength	AC 1500V 1 minute											
Operation Temperature	-20°~85°	<table border="1"> <tr> <th>Thickness(mm)</th> <th>X(mm)</th> <th>Y(mm)</th> </tr> <tr> <td>0.75~1.25</td> <td rowspan="3">21.2±0.1</td> <td>36.6^{+0.2}_{-0.2}</td> </tr> <tr> <td>1.25~2.0</td> <td>36.8^{+0.2}_{-0.2}</td> </tr> <tr> <td>2.0~3.0</td> <td>37.0^{+0.2}_{-0.2}</td> </tr> </table>	Thickness(mm)	X(mm)	Y(mm)	0.75~1.25	21.2±0.1	36.6 ^{+0.2} _{-0.2}	1.25~2.0	36.8 ^{+0.2} _{-0.2}	2.0~3.0	37.0 ^{+0.2} _{-0.2}
Thickness(mm)	X(mm)	Y(mm)										
0.75~1.25	21.2±0.1	36.6 ^{+0.2} _{-0.2}										
1.25~2.0		36.8 ^{+0.2} _{-0.2}										
2.0~3.0		37.0 ^{+0.2} _{-0.2}										
Switch Function	3P SPST ON-OFF LAMP Dependent											
Lamp Type	Neon 250VAC 277VAC w/resistor											



MATERIAL:
 Frame: Nylon 66, Black
 Actuator: Nylon 66 with 33%GF, Black
 Lens: PC, Red
 Lamp: Neon, Red
 Water proof and dust proof to fit IP-56



RoHS Compliant

3 Added Configured for to rating, Dependent to function & Lamp Type. 1/23/12.
 2 20A 125VAC 10A 250VAC was 20A 125VAC 10A 25VAC in Rating. 1/24/11.

CW INDUSTRIES
 Southampton, Pa. 18966
 Tel 215.355.7080/www.cwind.com

Date Drawn: 1/24/11

Rev. 3

Unit: mm

Checked By: *G. Gold*

Title: **ROCKER SWITCH**

CW P/N: **GRB260A401BBRN2**