



Chipsmall Limited consists of a professional team with an average of over 10 year of expertise in the distribution of electronic components. Based in Hongkong, we have already established firm and mutual-benefit business relationships with customers from,Europe,America and south Asia,supplying obsolete and hard-to-find components to meet their specific needs.

With the principle of "Quality Parts,Customers Priority,Honest Operation,and Considerate Service",our business mainly focus on the distribution of electronic components. Line cards we deal with include Microchip,ALPS,ROHM,Xilinx,Pulse,ON,Everlight and Freescale. Main products comprise IC,Modules,Potentiometer,IC Socket,Relay,Connector.Our parts cover such applications as commercial,industrial, and automotives areas.

We are looking forward to setting up business relationship with you and hope to provide you with the best service and solution. Let us make a better world for our industry!



Contact us

Tel: +86-755-8981 8866 Fax: +86-755-8427 6832

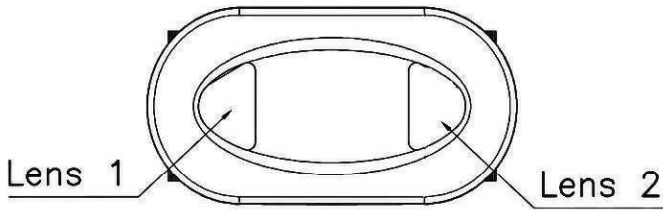
Email & Skype: info@chipsmall.com Web: www.chipsmall.com

Address: A1208, Overseas Decoration Building, #122 Zhenhua RD., Futian, Shenzhen, China

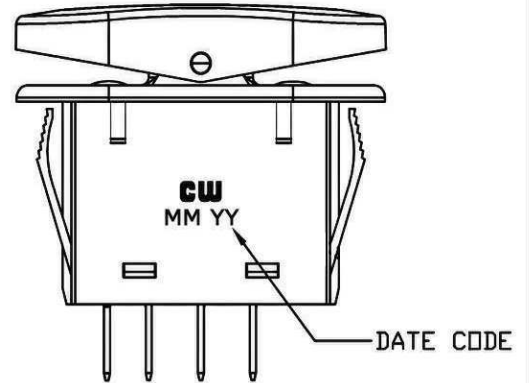
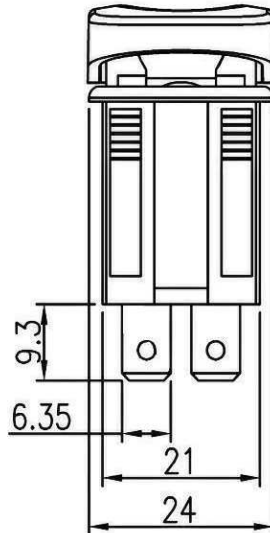
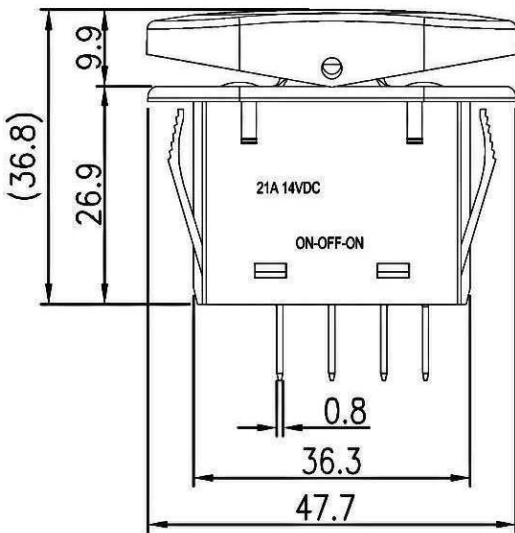


THIS INFORMATION IS CONFIDENTIAL AND PROPRIETARY TO CW INDUSTRIES INCORPORATED AND ITS AFFILIATES. IT MAY NOT BE DISCLOSED TO ANYONE, OTHER THAN CW INDUSTRIES PERSONNEL, WITHOUT WRITTEN AUTHORIZATION FROM CW INDUSTRIES INCORPORATED, SOUTHAMPTON, PENNSYLVANIA USA.

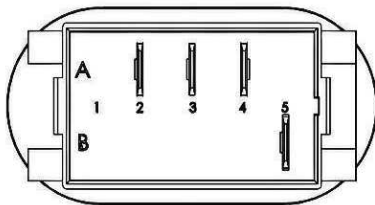
Rating		21A 14VDC		Mounting Hole		Circuit Diagram	
Contact Resistance		50m ohm Max.					
Insulation Resistance		DC 500V 100M ohm Min.					
Dielectric Strength		AC 1500V 1minute		Thickness			
Operation Temperature		-20°~85°		0.75~1.25	X 21.2+0.1	Y 36.6+0.1	
Switch Function		4P SPDT ON - OFF - ON Lamp Dependent		1.25~2	21.2+0.1	36.8+0.1	
Lamp Type		LED 12VDC 14V w/resistor		2~3	21.2+0.1	37.0+0.1	



Material:
 Frame: Nylon# 66, Black
 Actuator: Nylon# 66+30%GF, Black
 Lens1: Green, PC
 Lens2: Red, PC
 Terminal: Silver plated copper(excepted lamp terminal)
 Printed: None
 Water proof and dust proof to fit IP-66



TOLERANCE: ±0.3mm UNLESS OTHERWISE SPECIFIED.



RoHS Compliant

1 Added Dependent to Function & Lamp Type. 12/16/2011.

CW INDUSTRIES
 Southampton, Pa. 18966
 Tel 215.355.7080/www.cwind.com

Date Drawn: 5/18/10

Rev. 1

Unit: mm

Checked By: *G. Gold*

Title:
ROCKER SWITCH

CW P/N:
GRB271D3BBGR2D1