



Chipsmall Limited consists of a professional team with an average of over 10 year of expertise in the distribution of electronic components. Based in Hongkong, we have already established firm and mutual-benefit business relationships with customers from,Europe,America and south Asia,supplying obsolete and hard-to-find components to meet their specific needs.

With the principle of “Quality Parts,Customers Priority,Honest Operation,and Considerate Service”,our business mainly focus on the distribution of electronic components. Line cards we deal with include Microchip,ALPS,ROHM,Xilinx,Pulse,ON,Everlight and Freescale. Main products comprise IC,Modules,Potentiometer,IC Socket,Relay,Connector.Our parts cover such applications as commercial,industrial, and automotives areas.

We are looking forward to setting up business relationship with you and hope to provide you with the best service and solution. Let us make a better world for our industry!



## Contact us

Tel: +86-755-8981 8866 Fax: +86-755-8427 6832

Email & Skype: info@chipsmall.com Web: www.chipsmall.com

Address: A1208, Overseas Decoration Building, #122 Zhenhua RD., Futian, Shenzhen, China

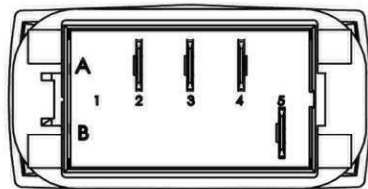
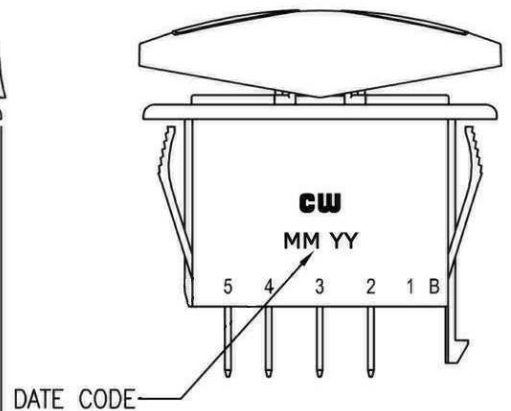
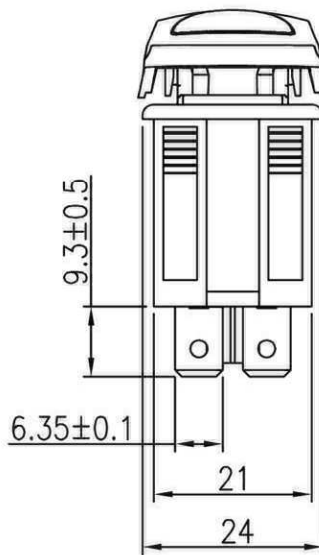
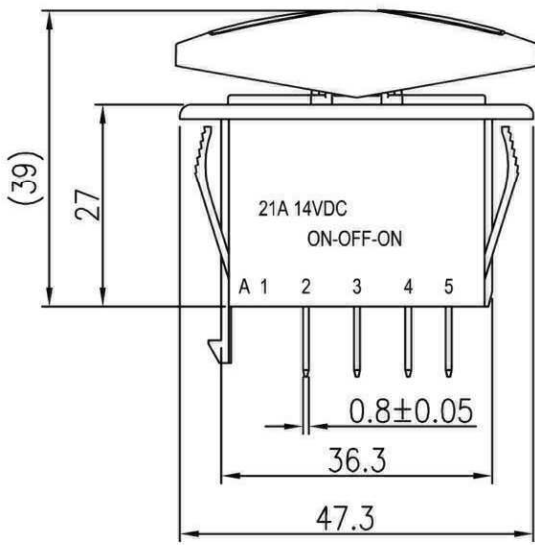
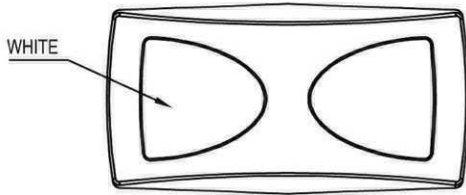


THIS INFORMATION IS CONFIDENTIAL AND PROPRIETARY TO CW INDUSTRIES INCORPORATED AND ITS AFFILIATES. IT MAY NOT BE DISCLOSED TO ANYONE, OTHER THAN CW INDUSTRIES PERSONNEL, WITHOUT WRITTEN AUTHORIZATION FROM CW INDUSTRIES INCORPORATED, SOUTHAMPTON, PENNSYLVANIA USA.

<b>Rating</b>		21A 14VDC		<b>Mounting Hole</b>		<b>Circuit Diagram</b>									
<b>Contact Resistance</b>		50m ohm Max.													
<b>Insulation Resistance</b>		DC 500V 100M ohm Min.													
<b>Dielectric Strength</b>		AC 1500V 1 minute													
<b>Operation Temperature</b>		- 25 ° ~ + 85 °													
<b>Switch Function</b>		4P SPDT ON-OFF-ON Lamp Dependent		<table border="1"> <tr> <th>Thickness(mm)</th> <th>X(mm)</th> <th>Y(mm)</th> </tr> <tr> <td>0.75~1.25</td> <td rowspan="3">21.0<sup>+0.3</sup><sub>0</sub></td> <td>36.6+0.1</td> </tr> <tr> <td>1.25~2.0</td> <td>36.8+0.1</td> </tr> <tr> <td>2.0~3.0</td> <td>37.0+0.1</td> </tr> </table>		Thickness(mm)	X(mm)	Y(mm)	0.75~1.25	21.0 <sup>+0.3</sup> <sub>0</sub>	36.6+0.1	1.25~2.0	36.8+0.1	2.0~3.0	37.0+0.1
Thickness(mm)	X(mm)	Y(mm)													
0.75~1.25	21.0 <sup>+0.3</sup> <sub>0</sub>	36.6+0.1													
1.25~2.0		36.8+0.1													
2.0~3.0		37.0+0.1													
<b>Lamp Type</b>	LED 12VDC 14V w/resistor														

**Material:**

1. Frame: Nylon-66(94V-2) - Black  
 Actuator: Nylon-66+33%GF - Black  
 Lens: PC - White / Black  
 Terminal: Silver plated copper  
 (excepted lamp terminal)
2. Printed: None
3. Waterproof: "IP-67".



TOLERANCE: ±0.3mm UNLESS OTHERWISE SPECIFIED.

RoHS Compliant

2	Added Dependent to Function & Lamp Type. 12/19/2011.
1	Changed IP-66 to IP-67. 12/13/10

**CW INDUSTRIES**  
 Southampton, Pa. 18966  
 Tel 215.355.7080/www.cwind.com

Date Drawn: 5/20/10

Rev. 2

Unit: mm

Checked By: *G. Gold*

Title: **ROCKER SWITCH**

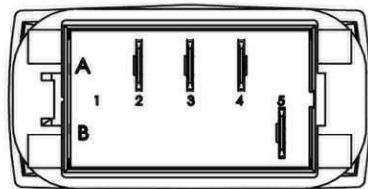
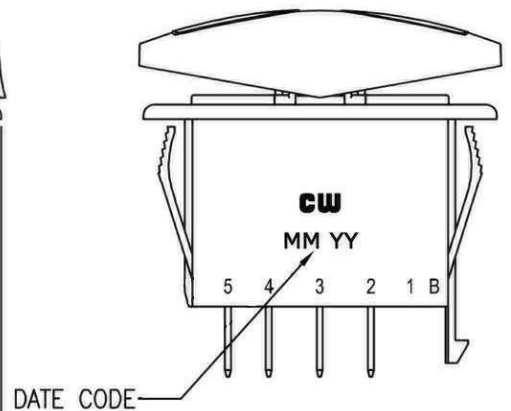
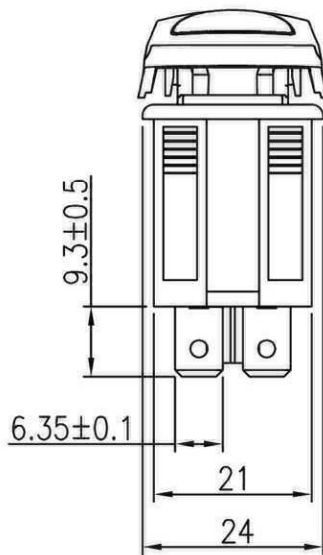
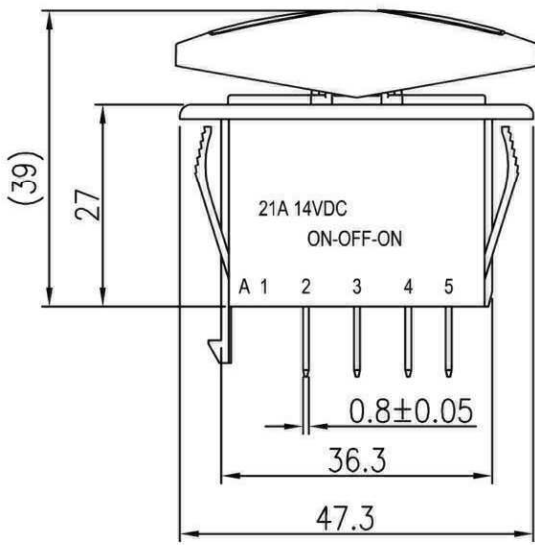
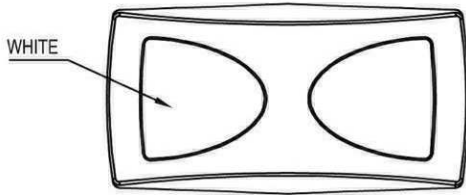
CW P/N: **GRB292D201BBWN1**

THIS INFORMATION IS CONFIDENTIAL AND PROPRIETARY TO CW INDUSTRIES INCORPORATED AND ITS AFFILIATES. IT MAY NOT BE DISCLOSED TO ANYONE, OTHER THAN CW INDUSTRIES PERSONNEL, WITHOUT WRITTEN AUTHORIZATION FROM CW INDUSTRIES INCORPORATED, SOUTHAMPTON, PENNSYLVANIA USA.

<b>Rating</b>		21A 14VDC		<b>Mounting Hole</b>		<b>Circuit Diagram</b>	
<b>Contact Resistance</b>		50m ohm Max.					
<b>Insulation Resistance</b>		DC 500V 100M ohm Min.					
<b>Dielectric Strength</b>		AC 1500V 1 minute					
<b>Operation Temperature</b>		- 25 ° ~ + 85 °					
<b>Switch Function</b>		4P SPDT ON-OFF-ON Lamp Dependent		Thickness(mm)	X(mm)	Y(mm)	
<b>Lamp Type</b>		LED 12VDC 14V w/resistor		0.75~1.25	21.0 <sup>+0.3</sup> <sub>0</sub>	36.6+0.1	
				1.25~2.0		36.8+0.1	
				2.0~3.0		37.0+0.1	

**Material:**

1. Frame: Nylon-66(94V-2) - Black  
 Actuator: Nylon-66+33%GF - Black  
 Lens: PC - White / Black  
 Terminal: Silver plated copper  
 (excepted lamp terminal)
2. Waterproof: "IP-67".



TOLERANCE: ±0.3mm UNLESS OTHERWISE SPECIFIED.

RoHS Compliant

2	Added Dependent to Function & Lamp Type. 12/19/2011.
1	Changed IP-66 to IP-67. 12/13/10

**CW INDUSTRIES**  
 Southampton, Pa. 18966  
 Tel 215.355.7080/www.cwind.com

Date Drawn: 5/20/10

Rev. 2

Unit: mm

Checked By: *G. Gold*

Title: **ROCKER SWITCH**

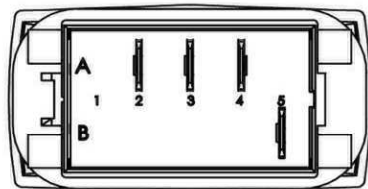
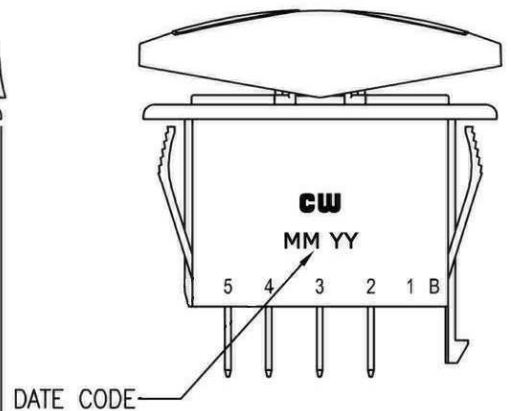
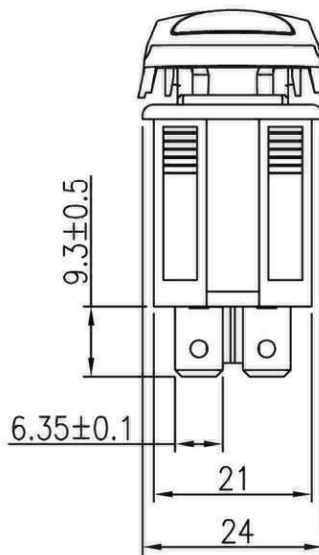
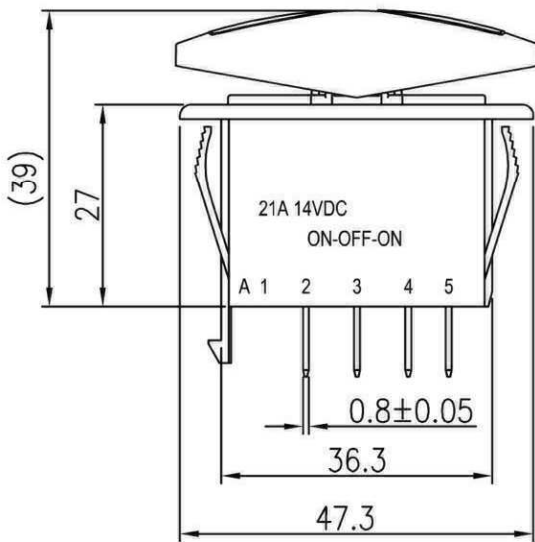
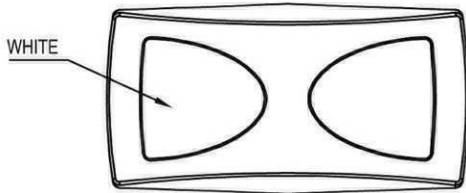
CW P/N: **GRB292D201BBWN1**

THIS INFORMATION IS CONFIDENTIAL AND PROPRIETARY TO CW INDUSTRIES INCORPORATED AND ITS AFFILIATES. IT MAY NOT BE DISCLOSED TO ANYONE, OTHER THAN CW INDUSTRIES PERSONNEL, WITHOUT WRITTEN AUTHORIZATION FROM CW INDUSTRIES INCORPORATED, SOUTHAMPTON, PENNSYLVANIA USA.

<b>Rating</b>		21A 14VDC		<b>Mounting Hole</b>		<b>Circuit Diagram</b>									
<b>Contact Resistance</b>		50m ohm Max.													
<b>Insulation Resistance</b>		DC 500V 100M ohm Min.													
<b>Dielectric Strength</b>		AC 1500V 1 minute													
<b>Operation Temperature</b>		- 25 ° ~ + 85 °													
<b>Switch Function</b>		4P SPDT ON-OFF-ON Lamp Dependent		<table border="1"> <tr> <th>Thickness(mm)</th> <th>X(mm)</th> <th>Y(mm)</th> </tr> <tr> <td>0.75~1.25</td> <td rowspan="3">21.0<sup>+0.3</sup><sub>0</sub></td> <td>36.6+0.1</td> </tr> <tr> <td>1.25~2.0</td> <td>36.8+0.1</td> </tr> <tr> <td>2.0~3.0</td> <td>37.0+0.1</td> </tr> </table>		Thickness(mm)	X(mm)	Y(mm)	0.75~1.25	21.0 <sup>+0.3</sup> <sub>0</sub>	36.6+0.1	1.25~2.0	36.8+0.1	2.0~3.0	37.0+0.1
Thickness(mm)	X(mm)	Y(mm)													
0.75~1.25	21.0 <sup>+0.3</sup> <sub>0</sub>	36.6+0.1													
1.25~2.0		36.8+0.1													
2.0~3.0		37.0+0.1													
<b>Lamp Type</b>	LED 12VDC 14V w/resistor														

**Material:**

1. Frame: Nylon-66(94V-2) - Black  
 Actuator: Nylon-66+33%GF - Black  
 Lens: PC - White / Black  
 Terminal: Silver plated copper  
 (excepted lamp terminal)
- Printed: None
2. Waterproof: "IP-67".



TOLERANCE: ±0.3mm UNLESS OTHERWISE SPECIFIED.

RoHS Compliant

2	Added Dependent to Function & Lamp Type. 12/19/2011.
1	Changed IP-66 to IP-67. 12/13/10

**CW INDUSTRIES**  
 Southampton, Pa. 18966  
 Tel 215.355.7080/www.cwind.com

Date Drawn: 5/20/10

Rev. 2

Unit: mm

Checked By: *G. Gold*

Title: **ROCKER SWITCH**

CW P/N: **GRB292D201BBWN1**