



Chipsmall Limited consists of a professional team with an average of over 10 year of expertise in the distribution of electronic components. Based in Hongkong, we have already established firm and mutual-benefit business relationships with customers from,Europe,America and south Asia,supplying obsolete and hard-to-find components to meet their specific needs.

With the principle of "Quality Parts,Customers Priority,Honest Operation,and Considerate Service",our business mainly focus on the distribution of electronic components. Line cards we deal with include Microchip,ALPS,ROHM,Xilinx,Pulse,ON,Everlight and Freescale. Main products comprise IC,Modules,Potentiometer,IC Socket,Relay,Connector.Our parts cover such applications as commercial,industrial, and automotives areas.

We are looking forward to setting up business relationship with you and hope to provide you with the best service and solution. Let us make a better world for our industry!



Contact us

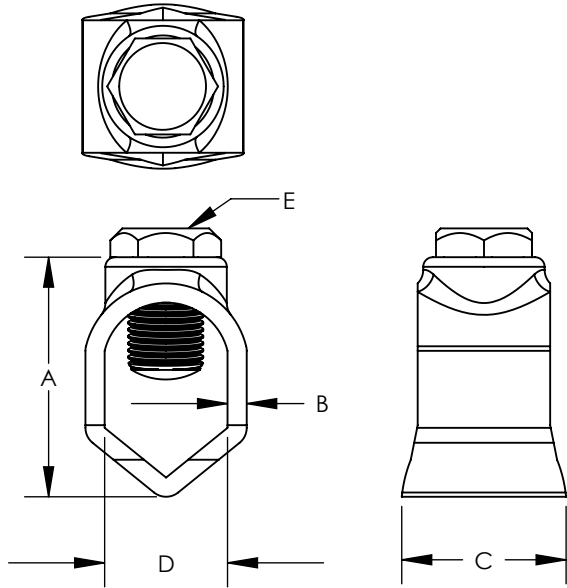
Tel: +86-755-8981 8866 Fax: +86-755-8427 6832

Email & Skype: info@chipsmall.com Web: www.chipsmall.com

Address: A1208, Overseas Decoration Building, #122 Zhenhua RD., Futian, Shenzhen, China



THIS COPY IS PROVIDED ON A RESTRICTED BASIS AND IS NOT TO BE USED IN ANY WAY DETRIMENTAL TO THE INTERESTS OF PANDUIT CORP.



NOTES:

- MATERIAL:
BODY - BRONZE
SCREW - PHOS. BRONZE OR STEEL
- PARTS ARE cULus LISTED to UL467 AS GROUNDING & BONDING EQUIPMENT.
- RATED FOR DIRECT BURIAL
- SEE WWW.PANDUIT.COM FOR PART NUMBER SUFFIX DESIGNATION OF PACKAGING SIZE.



DB \perp
RATED

| PART NUMBER | DESCRIPTION | GROUND ROD | GROUNDING WIRE | DIMENSIONS - IN [mm] +/- .05 [1.3] | | | | |
|-------------|-----------------------------|-------------|----------------|------------------------------------|--------------|----------------|---------------|---------------|
| | | | | A | B | C | D | E |
| GRC4-38 | GROUND ROD CLAMP STANDARD | 3/8" | 4 - 10 AWG | 1.00 [25.4] | .13 [3.3] | .82 [20.8] | .44 [11.2] | 1/2 HEX HEAD |
| GRC2-12 | GROUND ROD CLAMP STANDARD | 1/2" | 2 - 10 AWG | 1.19 [30.2] | .12 [3.0] | .68 [17.3] | .55 [14.0] | 1/2 HEX HEAD |
| GRC2-58 | GROUND ROD CLAMP STANDARD | 5/8" | 2 - 10 AWG | 1.34 [34.0] | .12 [3.0] | .64 [16.3] | .69 [17.5] | 1/2 HEX HEAD |
| GRC2-34 | GROUND ROD CLAMP STANDARD | 3/4" | 2 - 10 AWG | 1.48 [37.6] | .13 [3.3] | .71 [18.0] | .81 [20.6] | 1/2 HEX HEAD |
| GRCH2-12 | GROUND ROD CLAMP HEAVY DUTY | 1/2" | 2 - 10 AWG | 1.25 [31.8] | .10 [2.5] | .82 [20.8] | .55 [14.0] | 1/2 HEX HEAD |
| GRCH1/0-58 | GROUND ROD CLAMP HEAVY DUTY | 5/8" | 1/0 - 8 AWG | 1.42 [36.1] | .10 [2.5] | .99 [25.2] | .69 [17.5] | 1/2 HEX HEAD |
| GRCH1/0-34 | GROUND ROD CLAMP HEAVY DUTY | 3/4" | 1/0 - 8 AWG | 1.60 [40.6] | .13 [3.3] | .97 [24.6] | .81 [20.6] | 1/2 HEX HEAD |
| GRC1/0-34X | GROUND ROD CLAMP STANDARD | 3/8" - 3/4" | 1/0 - 10 AWG | 1.70 [43.1] | .15 [3.8] | .82 [21.0] | .73 [18.4] | 9/16 HEX HEAD |
| GRC3/0-34 | GROUND ROD CLAMP STANDARD | 5/8" - 3/4" | 3/0 - 8 AWG | 1.90 [48.3] | .14 [3.6] | 1.00 [25.4] | .83 [21.1] | 1/2 HEX HEAD |

| REV | DATE | BY | CHK | APR | DESCRIPTION | ECN |
|-----|------|------|-----|-----|--|-------------|
| 04 | 7/14 | JHNU | SKB | RGB | REVISED PART NUMBER: GRC3/0-34 WAS GRC3/0-38 | 10J018AA-JC |
| 03 | 6/14 | JHNU | SKB | RGB | ADDED GRC1/0-34X, GRC3/0-38 | 10J018AA-JC |

| | | | |
|--|-----------------------|---------------------------------|-------------|
| TITLE | | BRONZE GROUND ROD CLAMPS | |
| | | CUSTOMER DRAWING | |
| ITEM REVISION NAME | 10J018AA/04 | | |
| DATASET FILE NAME | 10J018AA-JC/04.SLDDRW | | |
| UNLESS OTHERWISE SPECIFIED, DIMENSIONAL TOLERANCES ARE: IN [mm] | | PANDUIT | |
| .X ± .XX ± | | | |
| .XXX ± ANGLES ± | | SEE NOTES | |
| THIRD ANGLE PROJECTION | | | |
| DRAWN BY | DATE | CHK | SCALE |
| JHNU | 7/12 | SRBI | N/A |
| DRAWING NUMBER | | | 10J018AA-JC |
| SHEET 1 OF 1 | | | SIZE A |