



Chipsmall Limited consists of a professional team with an average of over 10 year of expertise in the distribution of electronic components. Based in Hongkong, we have already established firm and mutual-benefit business relationships with customers from,Europe,America and south Asia,supplying obsolete and hard-to-find components to meet their specific needs.

With the principle of "Quality Parts,Customers Priority,Honest Operation,and Considerate Service",our business mainly focus on the distribution of electronic components. Line cards we deal with include Microchip,ALPS,ROHM,Xilinx,Pulse,ON,Everlight and Freescale. Main products comprise IC,Modules,Potentiometer,IC Socket,Relay,Connector.Our parts cover such applications as commercial,industrial, and automotives areas.

We are looking forward to setting up business relationship with you and hope to provide you with the best service and solution. Let us make a better world for our industry!



Contact us

Tel: +86-755-8981 8866 Fax: +86-755-8427 6832

Email & Skype: info@chipsmall.com Web: www.chipsmall.com

Address: A1208, Overseas Decoration Building, #122 Zhenhua RD., Futian, Shenzhen, China



DO NOT SCALE FROM THIS PRINT

DESIGNED & DIMENSIONED

IN MILLIMETERS[INCHES]

GRF1-P-P-XX-X-XX-XXX

GENDER
-P: PLUG

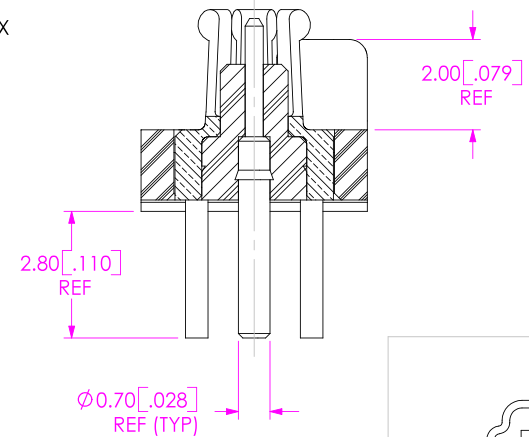
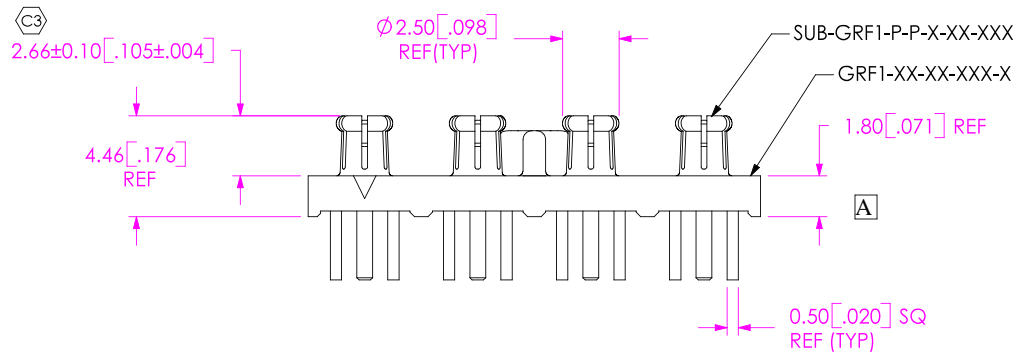
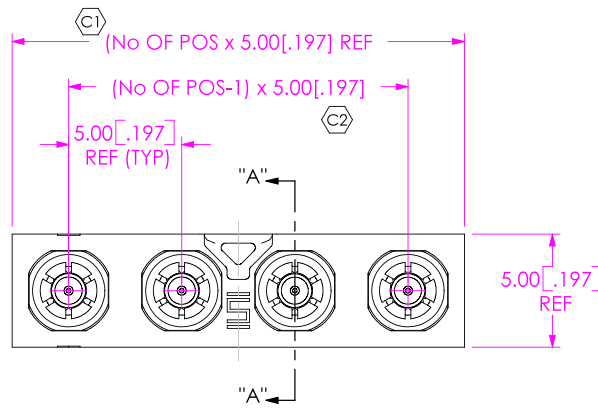
PCB
-P: PCB MOUNT

No OF POSITIONS
-02, -04, -06, -08

TERMINATION
-THT: THRU HOLE

ORIENTATION
-ST: STRAIGHT

PLATING
-E: 50U" GOLD ON CENTER CONDUCTOR
CONTACT AREA AND SOLDER TAIL.
3U" GOLD ON SHELL AND SHELL SOLDER TAILS



SECTION "A"- "A"
SCALE 6 : 1



PACKAGING VIEW
USE: PT-1-24-04-36-TP-24

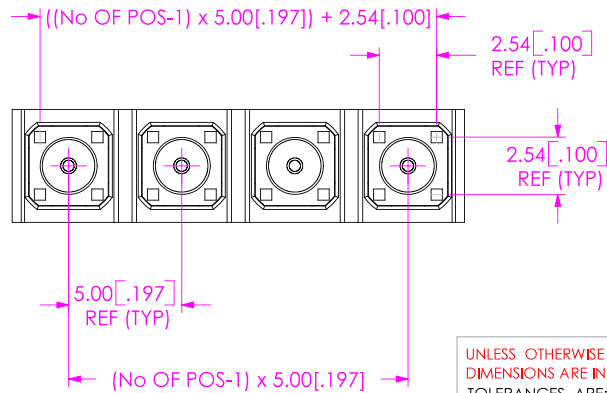
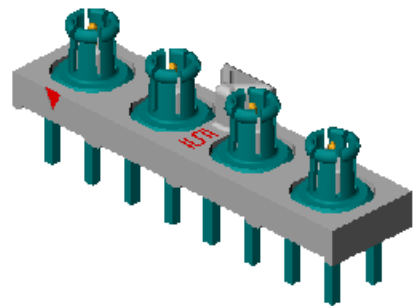


FIG. 1
GRF1-P-P-04-E-ST-TH1

NOTES:

1. © REPRESENTS A CRITICAL DIMENSION.
2. MINIMUM PUSHOUT FORCE: 2.22N[.5 LB].

UNLESS OTHERWISE SPECIFIED,
DIMENSIONS ARE IN MILLIMETERS.

TOLERANCES ARE:

DECIMALS	ANGLES
.X: ±0.3 [01]	2°
.XX: ±0.13 [005]	
.XXX: ±0.051 [0020]	

MATERIAL: DO NOT SCALE DRAWING

INSULATOR: LCP, COLOR: BLACK

SHELL: BRASS

PIN: BRASS

INSULATOR: TEFLON

C-RING: BeCu

PROPRIETARY NOTE

THIS DOCUMENT CONTAINS INFORMATION CONFIDENTIAL AND PROPRIETARY TO SAMTEC, INC. AND SHALL NOT BE REPRODUCED OR TRANSFERRED TO OTHER DOCUMENTS OR DISCLOSED TO OTHERS OR USED FOR ANY PURPOSE OTHER THAN THAT WHICH IT WAS OBTAINED WITHOUT THE EXPRESSED WRITTEN CONSENT OF SAMTEC, INC.



SHEET SCALE: 3:1

SAMTEC

520 PARK EAST BLVD, NEW ALBANY, IN 47150
PHONE: 812.944.6733 FAX: 812.948.5047
e-Mail: INFO@SAMTEC.COM CODE: 55322

DESCRIPTION: GANGED RF PLUG CONNECTOR

DWG. NO. GRF1-P-P-XX-X-XX-XXX

BY: CHAD F 9/8/2004 SHEET 1 OF 1