



Chipsmall Limited consists of a professional team with an average of over 10 year of expertise in the distribution of electronic components. Based in Hongkong, we have already established firm and mutual-benefit business relationships with customers from,Europe,America and south Asia,supplying obsolete and hard-to-find components to meet their specific needs.

With the principle of “Quality Parts,Customers Priority,Honest Operation,and Considerate Service”,our business mainly focus on the distribution of electronic components. Line cards we deal with include Microchip,ALPS,ROHM,Xilinx,Pulse,ON,Everlight and Freescale. Main products comprise IC,Modules,Potentiometer,IC Socket,Relay,Connector.Our parts cover such applications as commercial,industrial, and automotives areas.

We are looking forward to setting up business relationship with you and hope to provide you with the best service and solution. Let us make a better world for our industry!



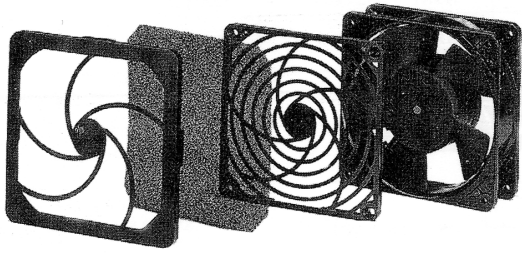
Contact us

Tel: +86-755-8981 8866 Fax: +86-755-8427 6832

Email & Skype: info@chipsmall.com Web: www.chipsmall.com

Address: A1208, Overseas Decoration Building, #122 Zhenhua RD., Futian, Shenzhen, China





Retainer Media Guard

Guard & Snap-in Retainer

Plastic - reinforced ABS, UL approved materials
Rating UL94V-O

Media

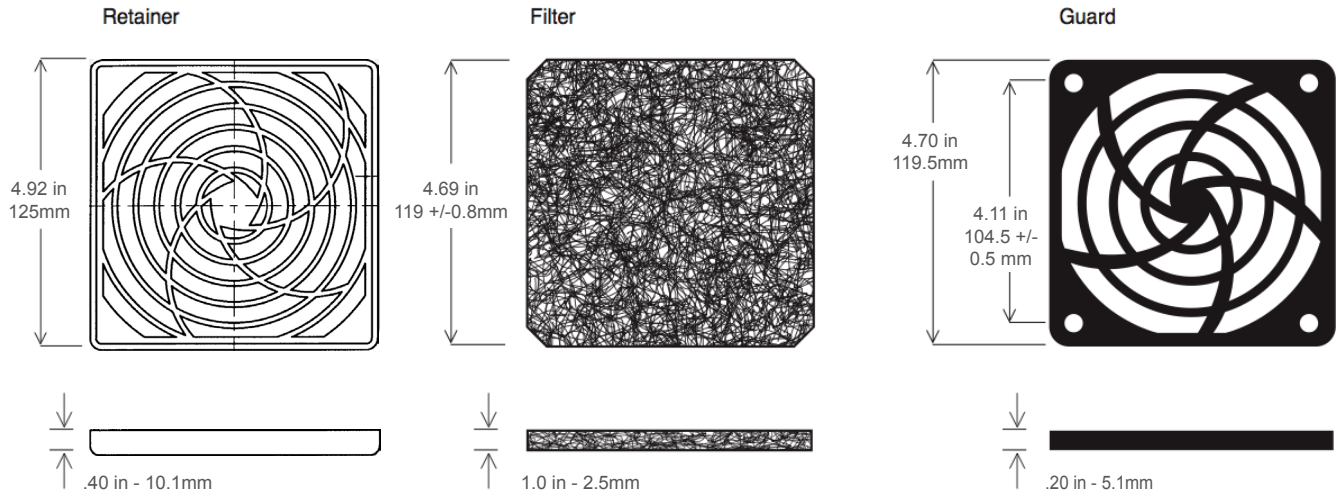
Polyurethane foam material meets UL94HF-1 or higher.

Porous mesh 30PPI, 45PPI or 60 PPI available
PPI = Pores Per Inch.

30 or 45 PPI recommended for most fan applications

Low air resistance, filtration of particulate matter, noise abatement

Snap-in Retainer makes cleaning or replacing media simple. No tools required.



GRM120-30	120mm Fan filter kit, includes G120P guard, R120P, retainer, and 30 ppi media
GRM120-45	120mm Fan filter kit, includes G120P guard, R120P retainer, and 45 ppi media
GRM120-30/PK	10-Pack GRM120-30 filter kits, Boxed
GRM120-45/PK	10-Pack GRM120-45 filter kits, Boxed