



Chipsmall Limited consists of a professional team with an average of over 10 year of expertise in the distribution of electronic components. Based in Hongkong, we have already established firm and mutual-benefit business relationships with customers from,Europe,America and south Asia,supplying obsolete and hard-to-find components to meet their specific needs.

With the principle of “Quality Parts,Customers Priority,Honest Operation,and Considerate Service”,our business mainly focus on the distribution of electronic components. Line cards we deal with include Microchip,ALPS,ROHM,Xilinx,Pulse,ON,Everlight and Freescale. Main products comprise IC,Modules,Potentiometer,IC Socket,Relay,Connector.Our parts cover such applications as commercial,industrial, and automotives areas.

We are looking forward to setting up business relationship with you and hope to provide you with the best service and solution. Let us make a better world for our industry!



## Contact us

Tel: +86-755-8981 8866 Fax: +86-755-8427 6832

Email & Skype: info@chipsmall.com Web: www.chipsmall.com

Address: A1208, Overseas Decoration Building, #122 Zhenhua RD., Futian, Shenzhen, China



# CHIP MONOLITHIC CERAMIC CAPACITOR FOR GENERAL GRM1555C1H1R5WA01\_ (0402, C0G, 1.5pF, 50Vdc)

\_ : packaging code

## Reference Sheet

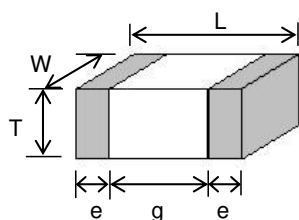
### 1.Scope

This product specification is applied to Chip Monolithic Ceramic Capacitor used for General Electronic equipment.

### 2.MURATA Part NO. System

|       |                      |                    |                                   |                        |                           |                             |                             |                      |   |
|-------|----------------------|--------------------|-----------------------------------|------------------------|---------------------------|-----------------------------|-----------------------------|----------------------|---|
| (Ex.) | GRM                  | 15                 | 5                                 | 5C                     | 1H                        | 1R5                         | W                           | A01                  | D |
|       | (1)L/W<br>Dimensions | (2)T<br>Dimensions | (3)Temperature<br>Characteristics | (4)DC Rated<br>Voltage | (5)Nominal<br>Capacitance | (6)Capacitance<br>Tolerance | (7)Murata's<br>Control Code | (8)Packaging<br>Code |   |

### 3. Type & Dimensions



(Unit:mm)

|          |          |          |              |          |
|----------|----------|----------|--------------|----------|
| (1)-1 L  | (1)-2 W  | (2) T    | e            | g        |
| 1.0±0.05 | 0.5±0.05 | 0.5±0.05 | 0.15 to 0.35 | 0.3 min. |

### 4.Rated value

| (3) Temperature Characteristics<br>(Public STD Code):C0G(EIA) |                            | (4)<br>DC Rated<br>Voltage | (5) Nominal<br>Capacitance | (6)<br>Capacitance<br>Tolerance | Specifications and Test<br>Methods<br>(Operation<br>Temp. Range) |
|---|----------------------------|----------------------------|----------------------------|---------------------------------|--|
| Temp. coeff<br>or<br>Cap. Change                              | Temp. Range<br>(Ref.Temp.) |                            |                            |                                 |  |
| 0±30 ppm/°C   | 25 to 125 °C<br>(25 °C)    | 50 Vdc                     | 1.5 pF                     | ±0.05 pF                        | -55 to 125 °C  |

### 5.Package

| mark | (8) Packaging             | Packaging Unit  |
|------|---------------------------|-----------------|
| D    | φ180mm Reel<br>PAPER W8P2 | 10000 pcs./Reel |
| W    | φ180mm Reel<br>PAPER W8P1 | 20000 pcs./Reel |
| J    | φ330mm Reel<br>PAPER W8P2 | 50000 pcs./Reel |

Product specifications in this catalog are as of Jan.25,2013,and are subject to change or obsolescence without notice.  
Please consult the approval sheet before ordering.  
Please read rating and !Cautions first.

| No          | Item  | Specification   |  | Test Method   |             |                 |             |            |                |              |             |          |                 |             |           |                 |             |          |                 |             |          |                  |                 |          |                 |             |    |                |                 |    |                |                 |   |      |                 |   |      |   |                         |   |      |   |  |   |      |      |                 |   |      |   |   |   |      |   |   |   |      |
|-------------|---|---|--|---|-------------|-----------------|-------------|------------|----------------|--------------|-------------|----------|-----------------|-------------|-----------|-----------------|-------------|----------|-----------------|-------------|----------|------------------|-----------------|----------|-----------------|-------------|----|----------------|-----------------|----|----------------|-----------------|---|------|-----------------|---|------|---|-------------------------|---|------|---|--|---|------|------|-----------------|---|------|---|---|---|------|---|---|---|------|
|             |   | Temperature Compensating Type   | High Dielectric Constant Type  |   |             |                 |             |            |                |              |             |          |                 |             |           |                 |             |          |                 |             |          |                  |                 |          |                 |             |    |                |                 |    |                |                 |   |      |                 |   |      |   |                         |   |      |   |  |   |      |      |                 |   |      |   |   |   |      |   |   |   |      |
| 1           | Operating Temperature Range                                   | -55°C to 125°C  | R6: -55°C to 85°C<br>R7: -55°C to 125°C<br>C8: -55°C to 105°C<br>E4: 10°C to 85°C<br>F5: -30°C to 85°C<br>L8/R9: -55°C to 150°C  | Reference Temperature : 25°C  |             |                 |             |            |                |              |             |          |                 |             |           |                 |             |          |                 |             |          |                  |                 |          |                 |             |    |                |                 |    |                |                 |   |      |                 |   |      |   |                         |   |      |   |  |   |      |      |                 |   |      |   |   |   |      |   |   |   |      |
| 2           | Rated Voltage   | See the previous pages.   |  | The rated voltage is defined as the maximum voltage which may be applied continuously to the capacitor.<br>When AC voltage is superimposed on DC voltage, V <sup>P-P</sup> or V <sup>O-P</sup> , whichever is larger, should be maintained within the rated voltage range.  |             |                 |             |            |                |              |             |          |                 |             |           |                 |             |          |                 |             |          |                  |                 |          |                 |             |    |                |                 |    |                |                 |   |      |                 |   |      |   |                         |   |      |   |  |   |      |      |                 |   |      |   |   |   |      |   |   |   |      |
| 3           | Appearance  | No defects or abnormalities.  |  | Visual inspection.  |             |                 |             |            |                |              |             |          |                 |             |           |                 |             |          |                 |             |          |                  |                 |          |                 |             |    |                |                 |    |                |                 |   |      |                 |   |      |   |                         |   |      |   |  |   |      |      |                 |   |      |   |   |   |      |   |   |   |      |
| 4           | Dimension   | Within the specified dimensions.  |  | Using calipers. (GRM02 size is based on Microscope)   |             |                 |             |            |                |              |             |          |                 |             |           |                 |             |          |                 |             |          |                  |                 |          |                 |             |    |                |                 |    |                |                 |   |      |                 |   |      |   |                         |   |      |   |  |   |      |      |                 |   |      |   |   |   |      |   |   |   |      |
| 5           | Dielectric Strength   | No defects or abnormalities.  |  | No failure should be observed when 300% of the rated voltage (ΔC to 7U and 1X) or 250% of the rated voltage (R6,R7,C8,E4,F5,L8 and R9) is applied between the terminations for 1 to 5 seconds, provided the charge/discharge current is less than 50mA.   |             |                 |             |            |                |              |             |          |                 |             |           |                 |             |          |                 |             |          |                  |                 |          |                 |             |    |                |                 |    |                |                 |   |      |                 |   |      |   |                         |   |      |   |  |   |      |      |                 |   |      |   |   |   |      |   |   |   |      |
| 6           | Insulation Resistance   | More than 10,000MΩ or 500Ω·F (whichever is smaller)   |  | The insulation resistance should be measured with a DC voltage not exceeding the rated voltage at 25°C and 75%RH max. and within 2 minutes of charging, provided the charge/discharge current is less than 50mA.  |             |                 |             |            |                |              |             |          |                 |             |           |                 |             |          |                 |             |          |                  |                 |          |                 |             |    |                |                 |    |                |                 |   |      |                 |   |      |   |                         |   |      |   |  |   |      |      |                 |   |      |   |   |   |      |   |   |   |      |
| 7           | Capacitance   | Within the specified tolerance.   |  | The capacitance/Q/D.F. should be measured at 25°C at the frequency and voltage shown in the table.  |             |                 |             |            |                |              |             |          |                 |             |           |                 |             |          |                 |             |          |                  |                 |          |                 |             |    |                |                 |    |                |                 |   |      |                 |   |      |   |                         |   |      |   |  |   |      |      |                 |   |      |   |   |   |      |   |   |   |      |
| 8           | Q/Dissipation Factor (D.F.)                                   | 30pF and over: Q ≥ 1000<br>30pF and below: Q ≥ 400+20C<br><br>C: Nominal Capacitance (pF)   | [R6,R7,C8,L8]<br>W.V.: 100V : 0.025max. (C < 0.068μF)<br>: 0.05max. (C ≥ 0.068μF)<br>W.V.: 50V/25V : 0.025max.<br>W.V.: 16V/10V : 0.035max.<br>W.V.: 6.3V/4V : 0.05max. (C < 3.3μF)<br>: 0.1max. (C ≥ 3.3μF)<br><br>[R9]<br>W.V.: 50V : 0.05max.<br>[E4]<br>W.V.: 25Vmin : 0.025max.<br>[F5]<br>W.V.: 25Vmin : 0.05max. (C < 0.1μF)<br>: 0.09max. (C ≥ 0.1μF)<br>W.V.: 16V/10V : 0.125max.<br>W.V.: 6.3V : 0.15max.  | (1) Temperature Compensating Type<br><table border="1"><thead><tr><th>Capacitance</th><th>Frequency</th><th>Voltage</th></tr></thead><tbody><tr><td>C ≤ 1000pF</td><td>1±0.1MHz</td><td>0.5 to 5Vrms</td></tr><tr><td>C &gt; 1000pF</td><td>1±0.1kHz</td><td>1±0.2Vrms</td></tr></tbody></table><br>(2) High Dielectric Constant Type<br><table border="1"><thead><tr><th>Capacitance</th><th>Frequency</th><th>Voltage</th></tr></thead><tbody><tr><td>C ≤ 10μF</td><td>1±0.1kHz</td><td>1±0.2Vrms</td></tr><tr><td>C &gt; 10μF</td><td>120±24Hz</td><td>0.5±0.1Vrms</td></tr><tr><td>E4</td><td>1±0.1kHz</td><td>0.5±0.05Vrms</td></tr></tbody></table> | Capacitance | Frequency       | Voltage     | C ≤ 1000pF | 1±0.1MHz       | 0.5 to 5Vrms | C > 1000pF  | 1±0.1kHz | 1±0.2Vrms       | Capacitance | Frequency | Voltage         | C ≤ 10μF    | 1±0.1kHz | 1±0.2Vrms       | C > 10μF    | 120±24Hz | 0.5±0.1Vrms      | E4              | 1±0.1kHz | 0.5±0.05Vrms    |             |    |                |                 |    |                |                 |   |      |                 |   |      |   |                         |   |      |   |  |   |      |      |                 |   |      |   |   |   |      |   |   |   |      |
| Capacitance | Frequency   | Voltage   |  |   |             |                 |             |            |                |              |             |          |                 |             |           |                 |             |          |                 |             |          |                  |                 |          |                 |             |    |                |                 |    |                |                 |   |      |                 |   |      |   |                         |   |      |   |  |   |      |      |                 |   |      |   |   |   |      |   |   |   |      |
| C ≤ 1000pF  | 1±0.1MHz  | 0.5 to 5Vrms  |  |   |             |                 |             |            |                |              |             |          |                 |             |           |                 |             |          |                 |             |          |                  |                 |          |                 |             |    |                |                 |    |                |                 |   |      |                 |   |      |   |                         |   |      |   |  |   |      |      |                 |   |      |   |   |   |      |   |   |   |      |
| C > 1000pF  | 1±0.1kHz  | 1±0.2Vrms   |  |   |             |                 |             |            |                |              |             |          |                 |             |           |                 |             |          |                 |             |          |                  |                 |          |                 |             |    |                |                 |    |                |                 |   |      |                 |   |      |   |                         |   |      |   |  |   |      |      |                 |   |      |   |   |   |      |   |   |   |      |
| Capacitance | Frequency   | Voltage   |  |   |             |                 |             |            |                |              |             |          |                 |             |           |                 |             |          |                 |             |          |                  |                 |          |                 |             |    |                |                 |    |                |                 |   |      |                 |   |      |   |                         |   |      |   |  |   |      |      |                 |   |      |   |   |   |      |   |   |   |      |
| C ≤ 10μF    | 1±0.1kHz  | 1±0.2Vrms   |  |   |             |                 |             |            |                |              |             |          |                 |             |           |                 |             |          |                 |             |          |                  |                 |          |                 |             |    |                |                 |    |                |                 |   |      |                 |   |      |   |                         |   |      |   |  |   |      |      |                 |   |      |   |   |   |      |   |   |   |      |
| C > 10μF    | 120±24Hz  | 0.5±0.1Vrms   |  |   |             |                 |             |            |                |              |             |          |                 |             |           |                 |             |          |                 |             |          |                  |                 |          |                 |             |    |                |                 |    |                |                 |   |      |                 |   |      |   |                         |   |      |   |  |   |      |      |                 |   |      |   |   |   |      |   |   |   |      |
| E4          | 1±0.1kHz  | 0.5±0.05Vrms  |  |   |             |                 |             |            |                |              |             |          |                 |             |           |                 |             |          |                 |             |          |                  |                 |          |                 |             |    |                |                 |    |                |                 |   |      |                 |   |      |   |                         |   |      |   |  |   |      |      |                 |   |      |   |   |   |      |   |   |   |      |
| 9           | Capacitance Temperature Characteristics                       | Capacitance Change<br>Within the specified tolerance. (Table A-1)   | <table border="1"> <thead> <tr> <th>Char.</th> <th>Temp. Range</th> <th>Reference Temp.</th> <th>Cap. Change</th> </tr> </thead> <tbody> <tr><td>R6</td><td>-55°C to +85°C</td><td rowspan="10">25°C</td><td>Within ±15%</td></tr> <tr><td>R7</td><td>-55°C to +125°C</td><td>Within ±15%</td></tr> <tr><td>C8</td><td>-55°C to +105°C</td><td>Within ±22%</td></tr> <tr><td>L8</td><td>-55°C to +125°C</td><td>Within ±15%</td></tr> <tr><td></td><td>+125°C to +150°C</td><td>Within +15/-40%</td></tr> <tr><td>R9</td><td>-55°C to +150°C</td><td>Within ±15%</td></tr> <tr><td>E4</td><td>+10°C to +85°C</td><td>Within +22/-56%</td></tr> <tr><td>F5</td><td>-30°C to +85°C</td><td>Within +22/-82%</td></tr> </tbody> </table> | Char.   | Temp. Range | Reference Temp. | Cap. Change | R6         | -55°C to +85°C | 25°C         | Within ±15% | R7       | -55°C to +125°C | Within ±15% | C8        | -55°C to +105°C | Within ±22% | L8       | -55°C to +125°C | Within ±15% |          | +125°C to +150°C | Within +15/-40% | R9       | -55°C to +150°C | Within ±15% | E4 | +10°C to +85°C | Within +22/-56% | F5 | -30°C to +85°C | Within +22/-82% | The capacitance change should be measured after 5min. at each specified temp. stage.<br>(1) Temperature Compensating Type<br>The temperature coefficient is determined using the capacitance measured in step 3 as a reference.<br>When cycling the temperature sequentially from step 1 through 5 (Δ C: +25°C to +125°C, other temp. coeffs.: +25°C to +85°C) the capacitance should be within the specified tolerance for the temperature coefficient and capacitance change as Table A-1.<br>The capacitance drift is calculated by dividing the differences between the maximum and minimum measured values in the step 1, 3 and 5 by the cap. value in step 3.<br><table border="1"><thead><tr><th>Step</th><th>Temperature(°C)</th></tr></thead><tbody><tr><td>1</td><td>25±2</td></tr><tr><td>2</td><td>-55±3 (for ΔC to 7U/1X)</td></tr><tr><td>3</td><td>25±2</td></tr><tr><td>4</td><td>125±3 (for ΔC),<br/>85±3 (for other TC)</td></tr><tr><td>5</td><td>25±2</td></tr></tbody></table><br>(2) High Dielectric Constant Type<br>The ranges of capacitance change compared with the 25°C value over the temperature ranges shown in the table should be within the specified ranges.*<br><table border="1"><thead><tr><th>Step</th><th>Temperature(°C)</th></tr></thead><tbody><tr><td>1</td><td>25±2</td></tr><tr><td>2</td><td>-55±3 (for R6/R7/C8/L8/R9)<br/>-30±3 (for F5)<br/>10±3 (for E4)</td></tr><tr><td>3</td><td>25±2</td></tr><tr><td>4</td><td>150±3 (for L8/R9)<br/>125±3 (for R7)<br/>105±3 (for C8)</td></tr><tr><td>5</td><td>25±2</td></tr></tbody></table><br>Initial measurement for high dielectric constant type<br>Perform a heat treatment at 150 +0/-10°C for one hour and then set for 24±2 hours at room temperature.<br>Perform the initial measurement. | Step | Temperature(°C) | 1 | 25±2 | 2 | -55±3 (for ΔC to 7U/1X) | 3 | 25±2 | 4 | 125±3 (for ΔC),<br>85±3 (for other TC) | 5 | 25±2 | Step | Temperature(°C) | 1 | 25±2 | 2 | -55±3 (for R6/R7/C8/L8/R9)<br>-30±3 (for F5)<br>10±3 (for E4) | 3 | 25±2 | 4 | 150±3 (for L8/R9)<br>125±3 (for R7)<br>105±3 (for C8) | 5 | 25±2 |
|             | Char.   | Temp. Range   | Reference Temp.  | Cap. Change   |             |                 |             |            |                |              |             |          |                 |             |           |                 |             |          |                 |             |          |                  |                 |          |                 |             |    |                |                 |    |                |                 |   |      |                 |   |      |   |                         |   |      |   |  |   |      |      |                 |   |      |   |   |   |      |   |   |   |      |
| R6          | -55°C to +85°C  | 25°C  | Within ±15%  |   |             |                 |             |            |                |              |             |          |                 |             |           |                 |             |          |                 |             |          |                  |                 |          |                 |             |    |                |                 |    |                |                 |   |      |                 |   |      |   |                         |   |      |   |  |   |      |      |                 |   |      |   |   |   |      |   |   |   |      |
| R7          | -55°C to +125°C   |   | Within ±15%  |   |             |                 |             |            |                |              |             |          |                 |             |           |                 |             |          |                 |             |          |                  |                 |          |                 |             |    |                |                 |    |                |                 |   |      |                 |   |      |   |                         |   |      |   |  |   |      |      |                 |   |      |   |   |   |      |   |   |   |      |
| C8          | -55°C to +105°C   |   | Within ±22%  |   |             |                 |             |            |                |              |             |          |                 |             |           |                 |             |          |                 |             |          |                  |                 |          |                 |             |    |                |                 |    |                |                 |   |      |                 |   |      |   |                         |   |      |   |  |   |      |      |                 |   |      |   |   |   |      |   |   |   |      |
| L8          | -55°C to +125°C   |   | Within ±15%  |   |             |                 |             |            |                |              |             |          |                 |             |           |                 |             |          |                 |             |          |                  |                 |          |                 |             |    |                |                 |    |                |                 |   |      |                 |   |      |   |                         |   |      |   |  |   |      |      |                 |   |      |   |   |   |      |   |   |   |      |
|             | +125°C to +150°C  |   | Within +15/-40%  |   |             |                 |             |            |                |              |             |          |                 |             |           |                 |             |          |                 |             |          |                  |                 |          |                 |             |    |                |                 |    |                |                 |   |      |                 |   |      |   |                         |   |      |   |  |   |      |      |                 |   |      |   |   |   |      |   |   |   |      |
| R9          | -55°C to +150°C   |   | Within ±15%  |   |             |                 |             |            |                |              |             |          |                 |             |           |                 |             |          |                 |             |          |                  |                 |          |                 |             |    |                |                 |    |                |                 |   |      |                 |   |      |   |                         |   |      |   |  |   |      |      |                 |   |      |   |   |   |      |   |   |   |      |
| E4          | +10°C to +85°C  |   | Within +22/-56%  |   |             |                 |             |            |                |              |             |          |                 |             |           |                 |             |          |                 |             |          |                  |                 |          |                 |             |    |                |                 |    |                |                 |   |      |                 |   |      |   |                         |   |      |   |  |   |      |      |                 |   |      |   |   |   |      |   |   |   |      |
| F5          | -30°C to +85°C  |   | Within +22/-82%  |   |             |                 |             |            |                |              |             |          |                 |             |           |                 |             |          |                 |             |          |                  |                 |          |                 |             |    |                |                 |    |                |                 |   |      |                 |   |      |   |                         |   |      |   |  |   |      |      |                 |   |      |   |   |   |      |   |   |   |      |
| Step        | Temperature(°C)   |   |  |   |             |                 |             |            |                |              |             |          |                 |             |           |                 |             |          |                 |             |          |                  |                 |          |                 |             |    |                |                 |    |                |                 |   |      |                 |   |      |   |                         |   |      |   |  |   |      |      |                 |   |      |   |   |   |      |   |   |   |      |
| 1           | 25±2  |   |  |   |             |                 |             |            |                |              |             |          |                 |             |           |                 |             |          |                 |             |          |                  |                 |          |                 |             |    |                |                 |    |                |                 |   |      |                 |   |      |   |                         |   |      |   |  |   |      |      |                 |   |      |   |   |   |      |   |   |   |      |
| 2           | -55±3 (for ΔC to 7U/1X)                                       |   |  |   |             |                 |             |            |                |              |             |          |                 |             |           |                 |             |          |                 |             |          |                  |                 |          |                 |             |    |                |                 |    |                |                 |   |      |                 |   |      |   |                         |   |      |   |  |   |      |      |                 |   |      |   |   |   |      |   |   |   |      |
| 3           | 25±2  |   |  |   |             |                 |             |            |                |              |             |          |                 |             |           |                 |             |          |                 |             |          |                  |                 |          |                 |             |    |                |                 |    |                |                 |   |      |                 |   |      |   |                         |   |      |   |  |   |      |      |                 |   |      |   |   |   |      |   |   |   |      |
| 4           | 125±3 (for ΔC),<br>85±3 (for other TC)                        |   |  |   |             |                 |             |            |                |              |             |          |                 |             |           |                 |             |          |                 |             |          |                  |                 |          |                 |             |    |                |                 |    |                |                 |   |      |                 |   |      |   |                         |   |      |   |  |   |      |      |                 |   |      |   |   |   |      |   |   |   |      |
| 5           | 25±2  |   |  |   |             |                 |             |            |                |              |             |          |                 |             |           |                 |             |          |                 |             |          |                  |                 |          |                 |             |    |                |                 |    |                |                 |   |      |                 |   |      |   |                         |   |      |   |  |   |      |      |                 |   |      |   |   |   |      |   |   |   |      |
| Step        | Temperature(°C)   |   |  |   |             |                 |             |            |                |              |             |          |                 |             |           |                 |             |          |                 |             |          |                  |                 |          |                 |             |    |                |                 |    |                |                 |   |      |                 |   |      |   |                         |   |      |   |  |   |      |      |                 |   |      |   |   |   |      |   |   |   |      |
| 1           | 25±2  |   |  |   |             |                 |             |            |                |              |             |          |                 |             |           |                 |             |          |                 |             |          |                  |                 |          |                 |             |    |                |                 |    |                |                 |   |      |                 |   |      |   |                         |   |      |   |  |   |      |      |                 |   |      |   |   |   |      |   |   |   |      |
| 2           | -55±3 (for R6/R7/C8/L8/R9)<br>-30±3 (for F5)<br>10±3 (for E4) |   |  |   |             |                 |             |            |                |              |             |          |                 |             |           |                 |             |          |                 |             |          |                  |                 |          |                 |             |    |                |                 |    |                |                 |   |      |                 |   |      |   |                         |   |      |   |  |   |      |      |                 |   |      |   |   |   |      |   |   |   |      |
| 3           | 25±2  |   |  |   |             |                 |             |            |                |              |             |          |                 |             |           |                 |             |          |                 |             |          |                  |                 |          |                 |             |    |                |                 |    |                |                 |   |      |                 |   |      |   |                         |   |      |   |  |   |      |      |                 |   |      |   |   |   |      |   |   |   |      |
| 4           | 150±3 (for L8/R9)<br>125±3 (for R7)<br>105±3 (for C8)         |   |  |   |             |                 |             |            |                |              |             |          |                 |             |           |                 |             |          |                 |             |          |                  |                 |          |                 |             |    |                |                 |    |                |                 |   |      |                 |   |      |   |                         |   |      |   |  |   |      |      |                 |   |      |   |   |   |      |   |   |   |      |
| 5           | 25±2  |   |  |   |             |                 |             |            |                |              |             |          |                 |             |           |                 |             |          |                 |             |          |                  |                 |          |                 |             |    |                |                 |    |                |                 |   |      |                 |   |      |   |                         |   |      |   |  |   |      |      |                 |   |      |   |   |   |      |   |   |   |      |
|             | Temperature Coefficient<br>Capacitance Drift                  | Temperature Coefficient<br>Within the specified tolerance. (Table A-1)<br><br>Capacitance Drift<br>Within ±0.2% or ±0.05pF (Whichever is larger.)<br>*Not apply to 1X/25V |  |   |             |                 |             |            |                |              |             |          |                 |             |           |                 |             |          |                 |             |          |                  |                 |          |                 |             |    |                |                 |    |                |                 |   |      |                 |   |      |   |                         |   |      |   |  |   |      |      |                 |   |      |   |   |   |      |   |   |   |      |
| 10          | Adhesive Strength of Termination                              | No removal of the terminations or other defect should occur.  |  | Solder the capacitor on the test jig (glass epoxy board) shown in Fig.3 using a eutectic solder. Then apply 10N* force in parallel with the test jig for 10±1sec.<br>The soldering should be done either with an iron or using the reflow method and should be conducted with care so that the soldering is uniform and free of defects such as heat shock.<br>*1N(GRM02), 2N(GR□03), 5N(GR□15, GRM18)  |             |                 |             |            |                |              |             |          |                 |             |           |                 |             |          |                 |             |          |                  |                 |          |                 |             |    |                |                 |    |                |                 |   |      |                 |   |      |   |                         |   |      |   |  |   |      |      |                 |   |      |   |   |   |      |   |   |   |      |

■ SPECIFICATIONS AND TEST METHODS

| No                 | Item  | Specification   |   | Test Method  |   |           |            |   |      |            |                      |   |           |        |   |      |            |                      |   |           |        |
|--------------------|---|---|---|--|---|-----------|------------|---|------|------------|----------------------|---|-----------|--------|---|------|------------|----------------------|---|-----------|--------|
|                    |   | Temperature Compensating Type   | High Dielectric Constant Type   |  |   |           |            |   |      |            |                      |   |           |        |   |      |            |                      |   |           |        |
| 11                 | Vibration Resistance  | Appearance  | No defects or abnormalities.  |  | Solder the capacitor on the test jig (glass epoxy board) in the same manner and under the same conditions as (10).<br>The capacitor should be subjected to a simple harmonic motion having a total amplitude of 1.5mm, the frequency being varied uniformly between the approximate limits of 10 and 55Hz. The frequency range, from 10 to 55Hz and return to 10Hz, should be traversed in approximately 1 minute. This motion should be applied for a period of 2 hours in each 3 mutually perpendicular directions(total of 6 hours). |           |            |   |      |            |                      |   |           |        |   |      |            |                      |   |           |        |
|                    |   | Capacitance   | Within the specified tolerance.   |  |   |           |            |   |      |            |                      |   |           |        |   |      |            |                      |   |           |        |
|                    |   | Q/D.F.  | 30pF and over:Q $\geq$ 1000<br>30pF and below:Q $\geq$ 400+20C<br>C:Nominal Capacitance(pF) | [R6,R7,C8,L8]<br>W.V.:100V :0.025max.(C<0.068 $\mu$ F)<br>:0.05max.(C $\geq$ 0.068 $\mu$ F)<br>W.V.:50V/25V :0.025max.<br>W.V.:16V/10V :0.035max.<br>W.V.:6.3V/4V :0.05max.(C<3.3 $\mu$ F)<br>:0.1max.(C $\geq$ 3.3 $\mu$ F)<br>[R9]<br>W.V.:50V: 0.05max.<br>[E4]<br>W.V.:25V: 0.025max.<br>[F5]<br>W.V.:25Vmin<br>:0.05max.(C<0.1 $\mu$ F)<br>:0.09max.(C $\geq$ 0.1 $\mu$ F)<br>W.V.:16V/10V:0.125max.<br>W.V.:6.3V:0.15max.  |   |           |            |   |      |            |                      |   |           |        |   |      |            |                      |   |           |        |
| 12                 | Deflection  | Appearance  | No defects or abnormalities.  |  | Solder the capacitor on the test jig (glass epoxy board) shown in Fig.1 using an eutectic solder. Then apply a force in the direction shown in Fig 2 for 5 $\pm$ 1 seconds. The soldering should be done by the reflow method and should be conducted with care so that the soldering is uniform and free of defects such as heat shock.  |           |            |   |      |            |                      |   |           |        |   |      |            |                      |   |           |        |
|                    |   | Capacitance Change  | Within $\pm$ 5% or $\pm$ 0.5pF (Whichever is larger)  | Within $\pm$ 10%   |   |           |            |   |      |            |                      |   |           |        |   |      |            |                      |   |           |        |
| 13                 | Solderability of Termination  | 75% of the terminations is to be soldered evenly and continuously.  |   | Immerse the capacitor in a solution of ethanol (JIS-K-8101) and rosin (JIS-K-5902) (25% rosin in weight proportion) .<br>Preheat at 80 to 120°C for 10 to 30 seconds.<br>After preheating , immerse in an eutectic solder solution for 2 $\pm$ 0.5 seconds at 230 $\pm$ 5°C or Sn-3.0Ag-0.5Cu solder solution for 2 $\pm$ 0.5 seconds at 245 $\pm$ 5°C.  |   |           |            |   |      |            |                      |   |           |        |   |      |            |                      |   |           |        |
| 14                 | Resistance to Soldering Heat  | The measured and observed characteristics should satisfy the specifications in the following table.   |   | Preheat the capacitor at *120 to 150°C for 1 minute.<br>Immerse the capacitor in an eutectic solder solution* or Sn-3.0Ag-0.5Cu solder solution at 270 $\pm$ 5°C for 10 $\pm$ 0.5 seconds.<br>Set at room temperature for 24 $\pm$ 2 hours, then measure.<br>*Not apply to GRM02<br><br>Initial measurement for high dielectric constant type<br>Perform a heat treatment at 150+0/-10°C for one hour and then set at room temperature for 24 $\pm$ 2 hours.<br>Perform the initial measurement.<br><br>*Preheating for GRM32/43/55  |   |           |            |   |      |            |                      |   |           |        |   |      |            |                      |   |           |        |
|                    |   | Appearance  | No defects or abnormalities.  |  |   |           |            |   |      |            |                      |   |           |        |   |      |            |                      |   |           |        |
|                    |   | Capacitance Change  | Within $\pm$ 2.5% or $\pm$ 0.25pF (Whichever is larger)                                     |  | R6,R7,R9,C8,L8:Within $\pm$ 7.5%<br>E4,F5 :Within $\pm$ 20%   |           |            |   |      |            |                      |   |           |        |   |      |            |                      |   |           |        |
|                    |   | Q/D.F.  | 30pF and over:Q $\geq$ 1000<br>30pF and below:Q $\geq$ 400+20C<br>C:Nominal Capacitance(pF) |  | [R6,R7,C8,L8]<br>W.V.:100V :0.025max.(C<0.068 $\mu$ F)<br>:0.05max.(C $\geq$ 0.068 $\mu$ F)<br>W.V.:50V/25V :0.025max.<br>W.V.:16V/10V :0.035max.<br>W.V.:6.3V/4V :0.05max.(C<3.3 $\mu$ F)<br>:0.1max.(C $\geq$ 3.3 $\mu$ F)<br>[R9]<br>W.V.:50V: 0.05max.<br>[E4]<br>W.V.:25V: 0.025max.<br>[F5]<br>W.V.:25Vmin<br>:0.05max.(C<0.1 $\mu$ F)<br>:0.09max.(C $\geq$ 0.1 $\mu$ F)<br>W.V.:16V/10V:0.125max.<br>W.V.:6.3V:0.15max.   |           |            |   |      |            |                      |   |           |        |   |      |            |                      |   |           |        |
|                    |   | I.R.  | More than 10,000M $\Omega$ or 500 $\Omega$ ·F(Whichever is smaller)                         |  |   |           |            |   |      |            |                      |   |           |        |   |      |            |                      |   |           |        |
|                    | Dielectric Strength   | No defects.   |   |  |   |           |            |   |      |            |                      |   |           |        |   |      |            |                      |   |           |        |
| 15                 | Temperature Cycle   | The measured and observed characteristics should satisfy the specifications in the following table.   |   | Fix the capacitor to the supporting jig in the same manner and under the same conditions as (10).<br>Perform the five cycles according to the four heat treatments shown in the following table.<br>Set for 24 $\pm$ 2 hours at room temperature, then measure.<br><table border="1"> <thead> <tr> <th>Step</th> <th>Temp.(°C)</th> <th>Time (min)</th> </tr> </thead> <tbody> <tr> <td rowspan="2">1</td> <td>Min.</td> <td rowspan="2">30<math>\pm</math>3</td> </tr> <tr> <td>Operating Temp.+0/-3</td> </tr> <tr> <td>2</td> <td>Room Temp</td> <td>2 to 3</td> </tr> <tr> <td rowspan="2">3</td> <td>Max.</td> <td rowspan="2">30<math>\pm</math>3</td> </tr> <tr> <td>Operating Temp.+3/-0</td> </tr> <tr> <td>4</td> <td>Room Temp</td> <td>2 to 3</td> </tr> </tbody> </table><br>Initial measurement for high dielectric constant type<br>Perform a heat treatment at 150+0/-10°C for one hour and then set at room temperature for 24 $\pm$ 2 hours.<br>Perform the initial measurement. | Step  | Temp.(°C) | Time (min) | 1 | Min. | 30 $\pm$ 3 | Operating Temp.+0/-3 | 2 | Room Temp | 2 to 3 | 3 | Max. | 30 $\pm$ 3 | Operating Temp.+3/-0 | 4 | Room Temp | 2 to 3 |
|                    |   | Step  | Temp.(°C)   |  | Time (min)  |           |            |   |      |            |                      |   |           |        |   |      |            |                      |   |           |        |
|                    |   | 1   | Min.  |  | 30 $\pm$ 3  |           |            |   |      |            |                      |   |           |        |   |      |            |                      |   |           |        |
|                    |   |   | Operating Temp.+0/-3  |  |   |           |            |   |      |            |                      |   |           |        |   |      |            |                      |   |           |        |
|                    |   | 2   | Room Temp   |  | 2 to 3  |           |            |   |      |            |                      |   |           |        |   |      |            |                      |   |           |        |
| 3                  | Max.  | 30 $\pm$ 3  |   |  |   |           |            |   |      |            |                      |   |           |        |   |      |            |                      |   |           |        |
|                    | Operating Temp.+3/-0  |   |   |  |   |           |            |   |      |            |                      |   |           |        |   |      |            |                      |   |           |        |
| 4                  | Room Temp   | 2 to 3  |   |  |   |           |            |   |      |            |                      |   |           |        |   |      |            |                      |   |           |        |
| Appearance         | No defects or abnormalities.  |   |   |  |   |           |            |   |      |            |                      |   |           |        |   |      |            |                      |   |           |        |
| Capacitance Change | Within $\pm$ 2.5% or $\pm$ 0.25pF (Whichever is larger)                                     | R6,R7,R9,C8,L8:Within $\pm$ 7.5%<br>E4,F5 :Within $\pm$ 20%   |   |  |   |           |            |   |      |            |                      |   |           |        |   |      |            |                      |   |           |        |
| Q/D.F.             | 30pF and over:Q $\geq$ 1000<br>30pF and below:Q $\geq$ 400+20C<br>C:Nominal Capacitance(pF) | [R6,R7,C8,L8]<br>W.V.:100V :0.025max.(C<0.068 $\mu$ F)<br>:0.05max.(C $\geq$ 0.068 $\mu$ F)<br>W.V.:50V/25V :0.025max.<br>W.V.:16V/10V :0.035max.<br>W.V.:6.3V/4V :0.05max.(C<3.3 $\mu$ F)<br>:0.1max.(C $\geq$ 3.3 $\mu$ F)<br>[R9]<br>W.V.:50V: 0.05max.<br>[E4]<br>W.V.:25V: 0.025max.<br>[F5]<br>W.V.:25Vmin<br>:0.05max.(C<0.1 $\mu$ F)<br>:0.09max.(C $\geq$ 0.1 $\mu$ F)<br>W.V.:16V/10V:0.125max.<br>W.V.:6.3V:0.15max. |   |  |   |           |            |   |      |            |                      |   |           |        |   |      |            |                      |   |           |        |
| I.R.               | More than 10,000M $\Omega$ or 500 $\Omega$ ·F(Whichever is smaller)                         |   |   |  |   |           |            |   |      |            |                      |   |           |        |   |      |            |                      |   |           |        |
|                    | Dielectric Strength   | No defects.   |   |  |   |           |            |   |      |            |                      |   |           |        |   |      |            |                      |   |           |        |

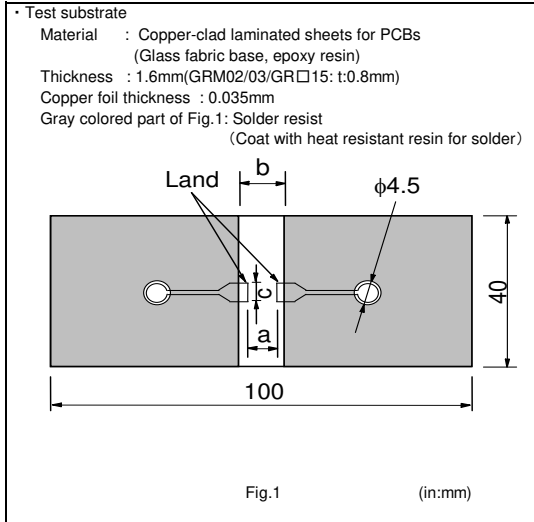
| No                  | Item                  | Specification   |   | Test Method  |  |
|---------------------|-----------------------|---|---|--|--|
|                     |                       | Temperature Compensating Type   | High Dielectric Constant Type   |  |  |
| 16                  | Humidity Steady       | The measured and observed characteristics should satisfy the specifications in the following table. |   | Set the capacitor at 40±2°C and in 90 to 95% humidity for 500±12 hours.<br>Remove and set for 24±2 hours at room temperature, then measure.  |  |
|                     |                       | Appearance  | No defects or abnormalities.  |  |  |
|                     |                       | Capacitance Change  | Within ±5% or ± 0.5pF (Whichever is larger)   |  | R6,R7,R9,C8,L8: Within ±12.5%<br>E4,F5 :Within ±30%  |
|                     |                       | Q/D.F.  | 30pF and over: Q ≥ 350<br>10pF and over<br>30pF and below: Q ≥ 275+5C/2<br>10pF and below: Q ≥ 200+10C<br>C: Nominal Capacitance (pF) |  | [R6,R7,R9,C8,L8]<br>W.V.:100V :0.05max.( C<0.068μF)<br>:0.075max.(C ≥ 0.068μF)<br>W.V.:50V/25V :0.05max.<br>W.V.:16V/10V :0.05max.<br>W.V.:6.3V/4V :0.075max.(C<3.3μF)<br>:0.125max.(C ≥ 3.3μF)<br>[R9]<br>W.V.:50V: 0.075max.<br>[E4]<br>W.V.:25V: 0.05max.<br>[F5]<br>W.V.:25Vmin<br>:0.075max. (C<0.1μF)<br>:0.125max. (C ≥ 0.1μF)<br>W.V.:16V/10V:0.15max.<br>W.V.:6.3V:0.2max.    |
|                     |                       | I.R.  | More than 1,000MΩ or 50Ω·F(Whichever is smaller)  |  |  |
| Dielectric Strength | No defects.           |   |   |  |  |
| 17                  | Humidity Load         | The measured and observed characteristics should satisfy the specifications in the following table. |   | Apply the rated voltage at 40±2°C and 90 to 95% humidity for 500 ±12 hours. Remove and set for 24±2 hours at room temperature, then measure. The charge/discharge current is less than 50mA.<br><br>· Initial measurement for F5/10Vmax.<br>Apply the rated DC voltage for 1 hour at 40±2°C.<br>Remove and set for 24±2 hours at room temperature.<br>Perform initial measurement.   |  |
|                     |                       | Appearance  | No defects or abnormalities.  |  |  |
|                     |                       | Capacitance Change  | Within ±7.5% or ±0.75pF (Whichever is larger)   |  | R6,R7,R9,C8,L8: Within ±12.5%<br>E4 :Within ±30%<br>F5 :Within ±30%(W.V.>10V)<br>F5 :Within±30/-40%(W.V. ≤ 10V)  |
|                     |                       | Q/D.F.  | 30pF and over: Q ≥ 200<br>30pF and below: Q ≥ 100+10C/3<br>C: Nominal Capacitance (pF)  |  | [R6,R7,R9,C8,L8]<br>W.V.:100V :0.05max.( C<0.068μF)<br>:0.075max.(C ≥ 0.068μF)<br>W.V.:50V/25V :0.05max.<br>W.V.:16V/10V :0.05max.<br>W.V.:6.3V/4V :0.075max.(C<3.3μF)<br>:0.125max.(C ≥ 3.3μF)<br>[R9]<br>W.V.:50V: 0.075max.<br>[E4]<br>W.V.:25V: 0.05max.<br>[F5]<br>W.V.:25Vmin<br>:0.075max. (C<0.1μF)<br>:0.125max. (C ≥ 0.1μF)<br>W.V.:16V/10V:0.15max.<br>W.V.:6.3V:0.2max.    |
|                     |                       | I.R.  | More than 500MΩ or 25Ω·F(Whichever is smaller)  |  |  |
| Dielectric Strength | No defects.           |   |   |  |  |
| 18                  | High Temperature Load | The measured and observed characteristics should satisfy the specifications in the following table. |   | Apply 200% of the rated voltage at the maximum operating temperature ±3°C for 1000±12 hours.<br>Set for 24±2 hours at room temperature, then measure.<br>The charge/discharge current is less than 50mA.<br><br>·Initial measurement for high dielectric constant type.<br>Apply 200% of the rated DC voltage at the maximum operating temperature ±3°C for one hour. Remove and set for 24±2 hours at room temperature.<br>Perform initial measurement. |  |
|                     |                       | Appearance  | No defects or abnormalities.  |  |  |
|                     |                       | Capacitance Change  | Within ±3% or ±0.3pF (Whichever is larger)  |  | R6,R7,R9,C8,L8: Within ±12.5%<br>E4 :Within ±30%<br>F5 :Within ±30%(Cap<1.0 μF)<br>F5 :Within±30/-40%(Cap ≥ 1.0 μF)  |
|                     |                       | Q/D.F.  | 30pF and over: Q ≥ 350<br>10pF and over<br>30pF and below: Q ≥ 275+5C/2<br>10pF and below: Q ≥ 200+10C<br>C: Nominal Capacitance (pF) |  | [R6,R7,R9,C8,L8]<br>W.V.:100V :0.05max.( C<0.068μF)<br>:0.075max.(C ≥ 0.068μF)<br>W.V.:50V/25V :0.05max.<br>W.V.:16V/10V :0.05max.<br>W.V.:6.3V/4V :0.075max.(C<3.3μF)<br>:0.125max.(C ≥ 3.3μF)<br>[R9]<br>W.V.:50V: 0.075max.<br>[E4]<br>W.V.:25V: 0.05max.<br>[F1,F5]<br>W.V.:25Vmin<br>:0.075max. (C<0.1μF)<br>:0.125max. (C ≥ 0.1μF)<br>W.V.:16V/10V:0.15max.<br>W.V.:6.3V:0.2max. |
|                     |                       | I.R.  | More than 1,000MΩ or 50Ω·F(Whichever is smaller)  |  |  |
| Dielectric Strength | No defects.           |   |   |  |  |

Table A-1

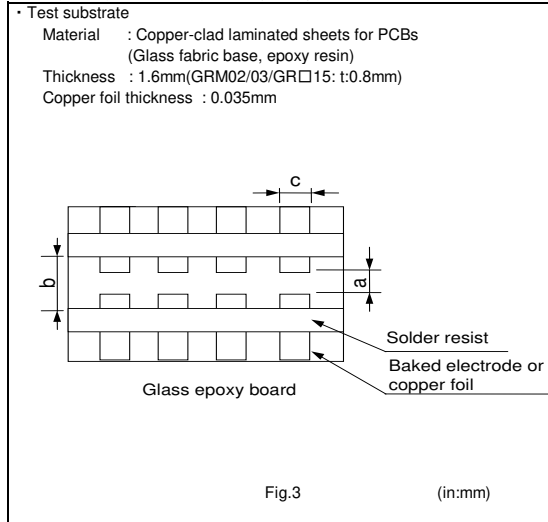
| Char. | Nominal Values (ppm/°C) * | Capacitance Change from 25°C (%) |       |      |       |      |       |
|-------|---------------------------|----------------------------------|-------|------|-------|------|-------|
|       |                           | -55                              |       | -30  |       | -10  |       |
|       |                           | Max.                             | Min.  | Max. | Min.  | Max. | Min.  |
| 5C    | 0±30                      | 0.58                             | -0.24 | 0.40 | -0.17 | 0.25 | -0.11 |
| 6C    | 0±60                      | 0.87                             | -0.48 | 0.59 | -0.33 | 0.38 | -0.21 |
| 6P    | -150± 60                  | 2.33                             | 0.72  | 1.61 | 0.50  | 1.02 | 0.32  |
| 6R    | -220± 60                  | 3.02                             | 1.28  | 2.08 | 0.88  | 1.32 | 0.56  |
| 6S    | -330± 60                  | 4.09                             | 2.16  | 2.81 | 1.49  | 1.79 | 0.95  |
| 6T    | -470± 60                  | 5.46                             | 3.28  | 3.75 | 2.26  | 2.39 | 1.44  |
| 7U    | -750±120                  | 8.78                             | 5.04  | 6.04 | 3.47  | 3.84 | 2.21  |
| 1X    | +350~-1000                | -                                | -     | -    | -     | -    | -     |

\* Nominal values denote the temperature coefficient within a range of 25°C to 125°C(for ΔC) 85°C(for other TC).

Test method : Deflection

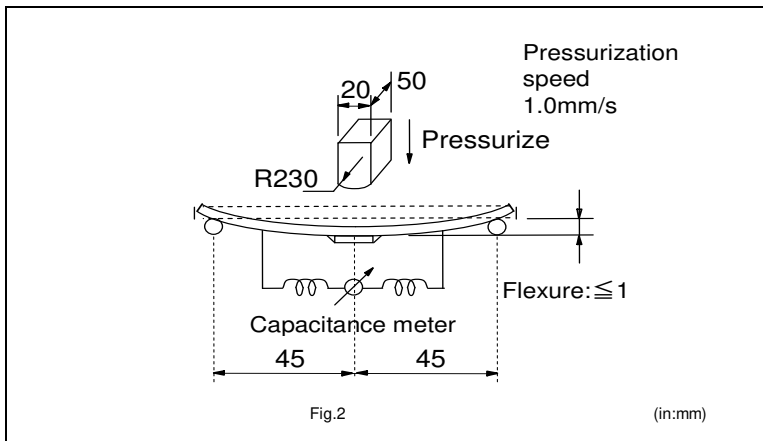


Adhesive Strength of Termination, Vibration Resistance, Temperature Cycle, Humidity Steady State, Humidity Load, High Temperature Load



| Type  | Dimension (mm) |      |      |
|-------|----------------|------|------|
|       | a              | b    | c    |
| GRM02 | 0.2            | 0.56 | 0.23 |
| GR□03 | 0.3            | 0.9  | 0.3  |
| GR□15 | 0.4            | 1.5  | 0.5  |
| GRM18 | 1.0            | 3.0  | 1.2  |
| GRM21 | 1.2            | 4.0  | 1.65 |
| GRM31 | 2.2            | 5.0  | 2.0  |
| GRM32 | 2.2            | 5.0  | 2.9  |
| GRM43 | 3.5            | 7.0  | 3.7  |
| GRM55 | 4.5            | 8.0  | 5.6  |

| Type  | Dimension (mm) |      |      |
|-------|----------------|------|------|
|       | a              | b    | c    |
| GRM02 | 0.2            | 0.56 | 0.23 |
| GR□03 | 0.3            | 0.9  | 0.3  |
| GR□15 | 0.4            | 1.5  | 0.5  |
| GRM18 | 1.0            | 3.0  | 1.2  |
| GRM21 | 1.2            | 4.0  | 1.65 |
| GRM31 | 2.2            | 5.0  | 2.0  |
| GRM32 | 2.2            | 5.0  | 2.9  |
| GRM43 | 3.5            | 7.0  | 3.7  |
| GRM55 | 4.5            | 8.0  | 5.6  |



1. Tape Carrier Packaging(Packaging Code:D/E/W/F/L/J/K)

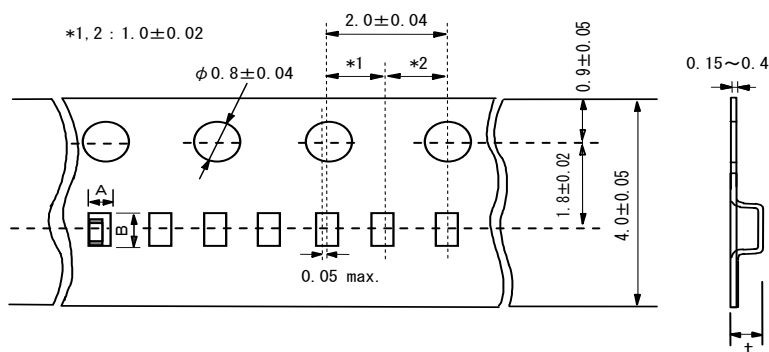
1.1 Minimum Quantity(pcs./reel)

| Type  | φ180mm reel                       |             |              | φ330mm reel |              |
|-------|-----------------------------------|-------------|--------------|-------------|--------------|
|       | Paper Tape                        |             | Plastic Tape | Paper Tape  | Plastic Tape |
|       | Code:D/E                          | Code:W      | Code:L       | Code:J/ F   | Code:K       |
| GR□02 |                                   |             | 40000 (W4P1) |             |              |
| GR□03 | 15000(W8P2)                       | 30000(W8P1) |              | 50000(W8P2) |              |
| GR□15 | 2                                 | 20000       |              | 50000       |              |
|       | 3/X                               | 10000       |              | 50000       |              |
|       | 5 (Dimensions Tolerance:±0.05)    | 10000(W8P2) | 20000(W8P1)  | 50000(W8P2) |              |
|       | 5 (Dimensions Tolerance:±0.1min.) | 10000       |              | 40000       |              |
| GR□18 | 4000                              |             |              | 10000       |              |
| GR□21 | 5/6/9                             | 4000        |              | 3000        | 10000        |
|       | A/B                               |             |              | 3000        | 10000        |
| GR□31 | 6/9                               | 4000        |              |             | 10000        |
|       | M/X                               |             |              | 3000        | 10000        |
|       | C                                 |             |              | 2000        | 6000         |
| GR□32 | 5/6/9                             | 4000        |              |             | 10000        |
|       | A/M                               |             |              | 3000        | 10000        |
|       | N                                 |             |              | 2000        | 8000         |
|       | C                                 |             |              | 2000        | 6000         |
|       | R/D/E                             |             |              | 1000        | 4000         |
| GR□43 | M                                 |             |              | 1000        | 5000         |
|       | N/C/R/D                           |             |              | 1000        | 4000         |
|       | E                                 |             |              | 500         | 2000         |
|       | S                                 |             |              | 500         | 1500         |
| GR□55 | M                                 |             |              | 1000        | 5000         |
|       | N/C/R/D                           |             |              | 1000        | 4000         |
|       | E                                 |             |              | 500         |              |
|       | F/X                               |             |              | 300         | 1500         |

1.2 Dimensions of Tape

(1)GR□02 (W4P1 CODE:L)

(in:mm)

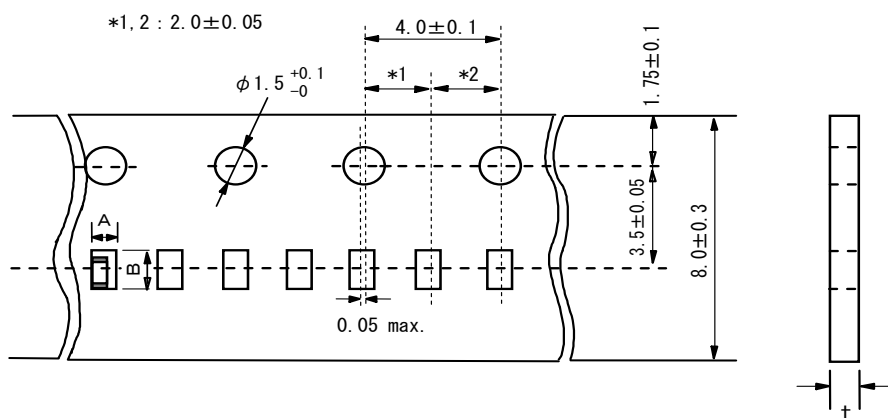


|      |          |
|------|----------|
| Code | GR□02    |
| A *3 | 0.23     |
| B *3 | 0.43     |
| t    | 0.5 max. |

\*3 Nominal value

(in:mm)

(2)GR□03/15(W8P2 CODE:D/E/J/F)

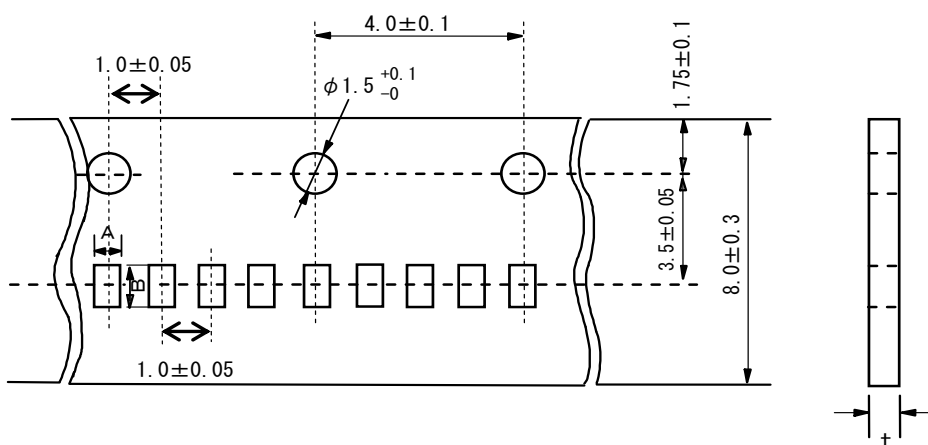


| Code | GR□03<br>(Dimensions<br>Tolerance<br>±0.03) | GR□03<br>(Dimensions<br>Tolerance<br>±0.05) | GR□15<br>(Dimensions<br>Tolerance<br>±0.05) | GR□15<br>(Dimensions<br>Tolerance<br>±0.1) | GR□15<br>(Dimensions<br>Tolerance<br>±0.15) | GR□15<br>(Dimensions<br>Tolerance<br>±0.2) |
|------|---|---|---|--|---|--|
| A*3  | 0.37  | 0.39  | 0.65  | 0.70                                       | 0.72  | 0.75                                       |
| B*3  | 0.67  | 0.69  | 1.15  | 1.20                                       | 1.25  | 1.35                                       |
| t    | 0.5max.                                     | 0.5 max.                                    | 0.8 max.                                    | 0.8 max.                                   | 0.8 max.                                    | 0.8 max.                                   |

\*3 Nominal value

(3)GRM03/15(W8P1 CODE:W)

(in:mm)

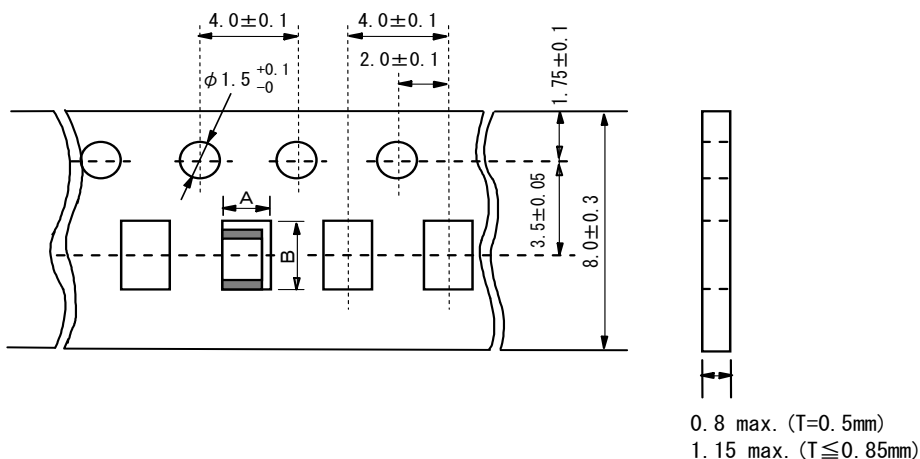


| Code | GRM03   | GRM15   |
|------|---------|---------|
| A*   | 0.37    | 0.65    |
| B*   | 0.67    | 1.15    |
| t    | 0.5max. | 0.8max. |

\*Nominal value

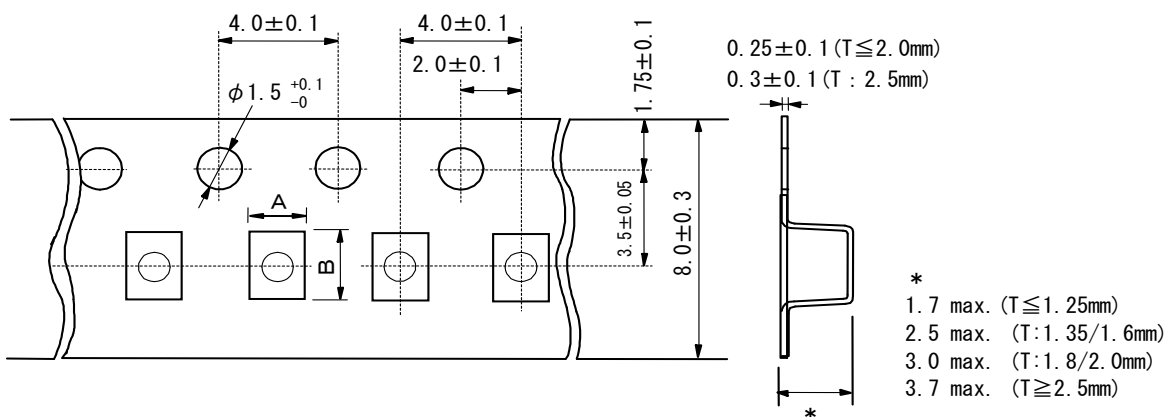


(4)GR□18/21/31/32 T:0.85 rank max. (in:mm)



| Code | GR□18<br>(Dimensions Tolerance<br>±0.15within) | GR□18<br>(Dimensions Tolerance<br>±0.2) | GR□18<br>(Dimensions Tolerance<br>L:±0.2/W,T:±0.1) | GR□21     | GR□31   | GR□32   |
|------|--|---|--|-----------|---------|---------|
| A    | 1.05±0.1                                       | 1.10±0.1                                | 1.05±0.1   | 1.55±0.15 | 2.0±0.2 | 2.8±0.2 |
| B    | 1.85±0.1                                       | 2.00±0.1                                | 2.00±0.1   | 2.3±0.15  | 3.6±0.2 | 3.6±0.2 |

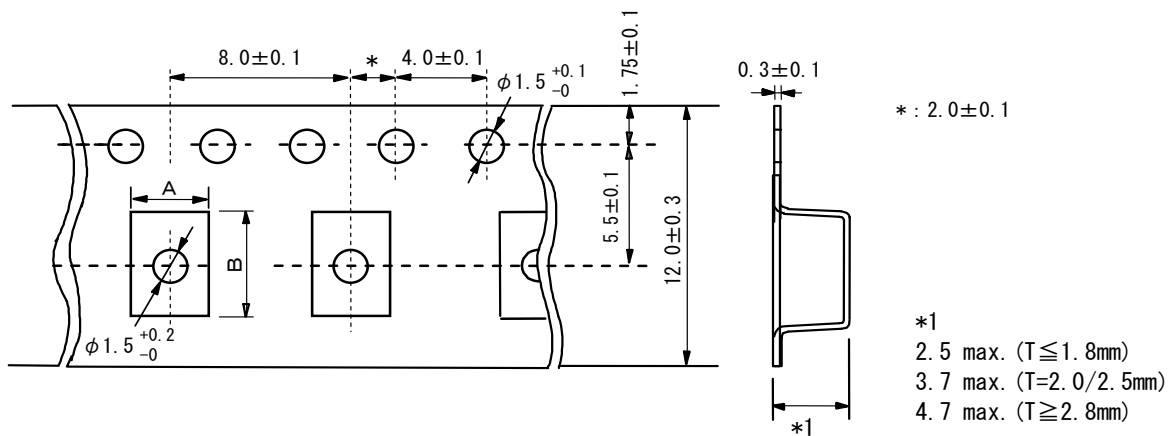
(5)GR□21/31/32 T : 1.0 rank min. (in:mm)



| Code | GR□21<br>(Dimensions Tolerance:<br>±0.1) | GR□21<br>(Dimensions Tolerance :<br>±0.15/±0.2) | GR□31<br>(Dimensions Tolerance:<br>±0.2 within) | GR□31<br>(Dimensions Tolerance:<br>±0.3) | GR□32   |
|------|--|---|---|--|---------|
| A    | 1.45±0.2                                 | 1.5±0.2   | 1.9±0.2   | 2.1±0.2                                  | 2.8±0.2 |
| B    | 2.25±0.2                                 | 2.3±0.2   | 3.5±0.2   | 3.6±0.2                                  | 3.5±0.2 |

(6)GR□43/55

(in:mm)



| Code | GR□43 | GR□55 |
|------|-------|-------|
| A *2 | 3.6   | 5.2   |
| B *2 | 4.9   | 6.1   |

\*2 Nominal value

Fig.1 Package Chips

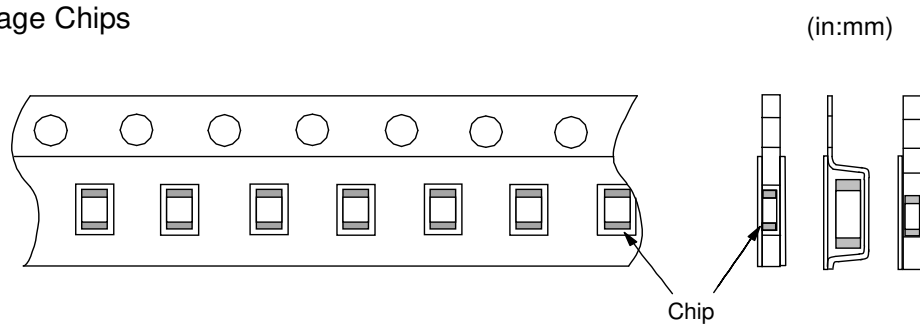


Fig.2 Dimensions of Reel

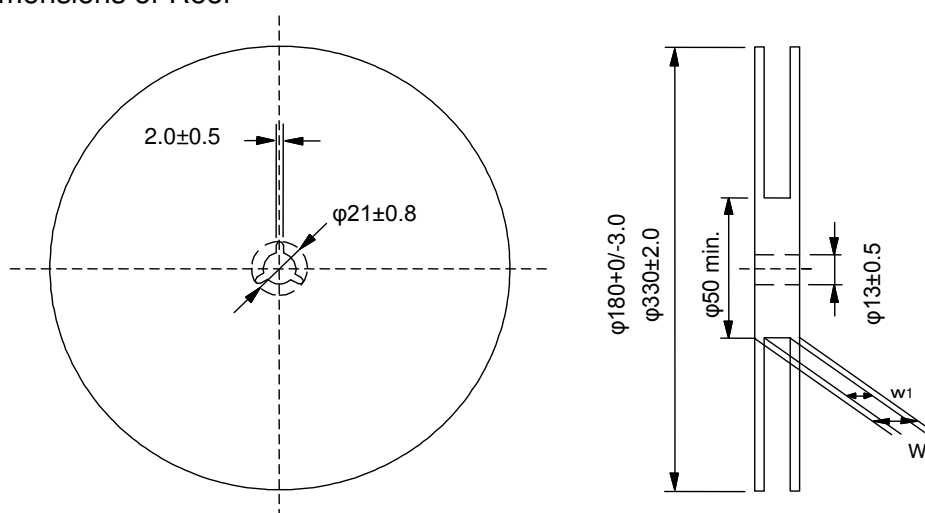
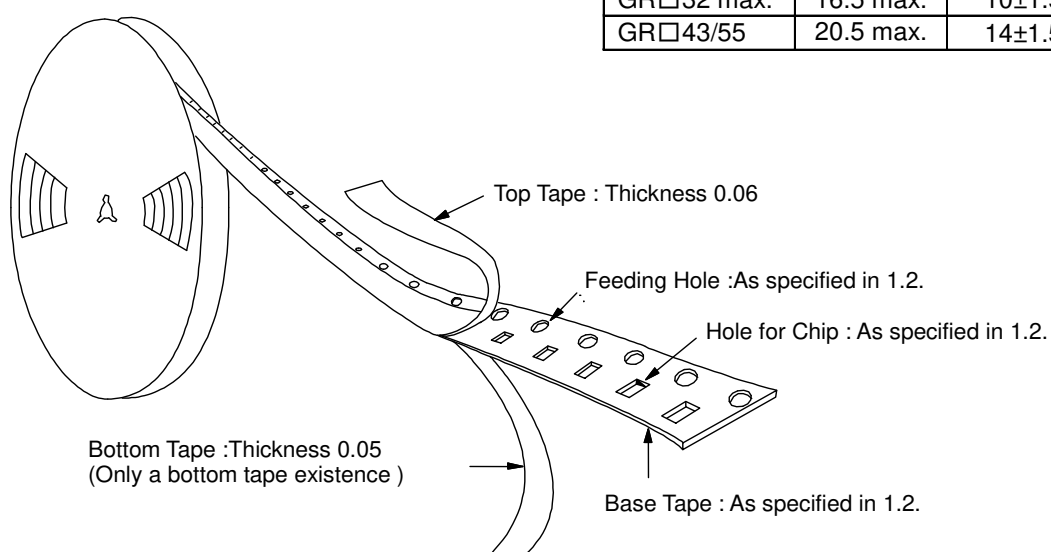


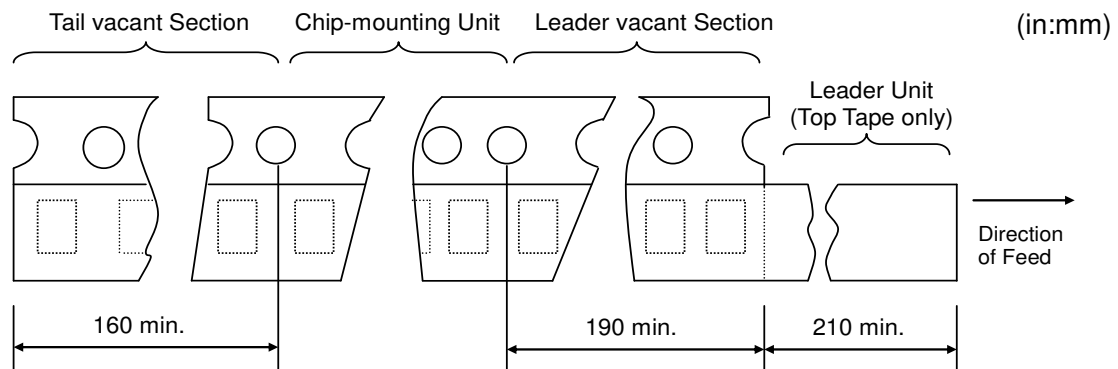
Fig.3 Taping Diagram



|            | W         | w <sub>1</sub> |
|------------|-----------|----------------|
| GR□02      | 8.0 max.  | 5±1.5          |
| GR□32 max. | 16.5 max. | 10±1.5         |
| GR□43/55   | 20.5 max. | 14±1.5         |

1.3 Tapes for capacitors are wound clockwise shown in Fig.3.  
(The sprocket holes are to the right as the tape is pulled toward the user.)

1.4 Part of the leader and part of the vacant section are attached as follows.



1.5 Accumulate pitch : 10 of sprocket holes pitch =  $40 \pm 0.3$ mm

1.6 Chip in the tape is enclosed by top tape and bottom tape as shown in Fig.1.

1.7 The top tape and base tape are not attached at the end of the tape for a minimum of 5 pitches.

1.8 There are no jointing for top tape and bottom tape.

1.9 There are no fuzz in the cavity.

1.10 Break down force of top tape : 5N min.

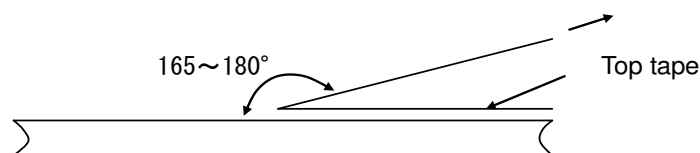
Break down force of bottom tape : 5N min. (Only a bottom tape existence )

1.11 Reel is made by resin and appeaser and dimension is shown in Fig 2.

There are possibly to change the material and dimension due to some impairment.

1.12 Peeling off force : 0.1N to 0.6N\* in the direction as shown below.

\* GR□02/03:0.05N~0.5N



1.13 Label that show the customer parts number, our parts number, our company name, inspection number and quantity, will be put in outside of reel.

## ■ Limitation of use

Please contact our sales representatives or product engineers before using our products for the applications listed below which require of our products for other applications than specified in this product.

- ①Aircraft equipment   ②Aerospace equipment   ③Undersea equipment   ④Power plant control equipment
- ⑤Medical equipment   ⑥Transportation equipment(vehicles,trains,ships,etc.)   ⑦Traffic signal equipment
- ⑧Disaster prevention / crime prevention equipment   ⑨Data-processing equipment
- ⑩Application of similar complexity and/or requirements to the applications listed in the above

## ■ Storage and Operation condition

1. The performance of chip monolithic ceramic capacitors may be affected by the storage conditions.

1-1. Store capacitors in the following conditions: Temperature of +5°C to +40°C and a Relative Humidity of 20% to 70%.

(1) Sunlight, dust, rapid temperature changes, corrosive gas atmosphere or high temperature and humidity conditions during storage may affect the solderability and the packaging performance  
Please use product within six months of receipt.

(2) Please confirm solderability before using after six months.  
Store the capacitors without opening the original bag.  
Even if the storage period is short, do not exceed the specified atmospheric conditions.

1-2. Corrosive gas can react with the termination (external) electrodes or lead wires of capacitors, and result in poor solderability. Do not store the capacitors in an atmosphere consisting of corrosive gas (e.g., hydrogen sulfide, sulfur dioxide, chlorine, ammonia gas etc.).

1-3. Due to moisture condensation caused by rapid humidity changes, or the photochemical change caused by direct sunlight on the terminal electrodes and/or the resin/epoxy coatings, the solderability and electrical performance may deteriorate. Do not store capacitors under direct sunlight or in high humidity conditions

Rating

1. Temperature Dependent Characteristics

1. The electrical characteristics of the capacitor can change with temperature.

1-1. For capacitors having larger temperature dependency, the capacitance may change with temperature changes.

The following actions are recommended in order to insure suitable capacitance values.

(1) Select a suitable capacitance for the operating temperature range.

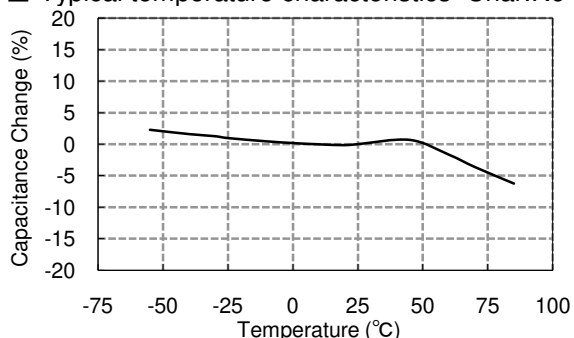
(2) The capacitance may change within the rated temperature.

When you use a high dielectric constant type capacitors in a circuit that needs a tight (narrow) capacitance tolerance.

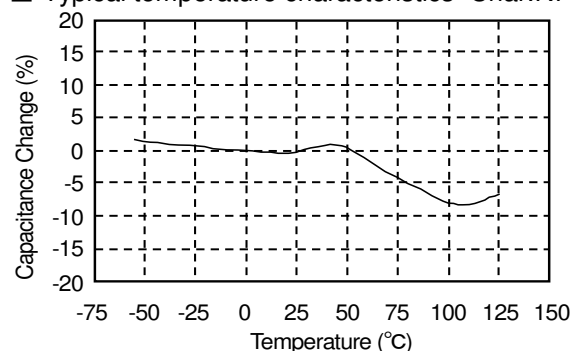
Example: a time constant circuit., please carefully consider the characteristics of these capacitors, such as their aging, voltage, and temperature characteristics.

And check capacitors using your actual appliances at the intended environment and operating conditions.

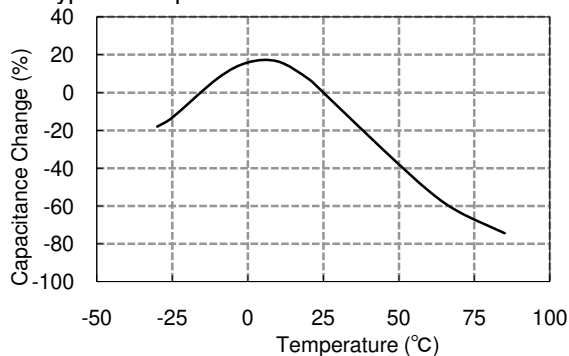
Typical temperature characteristics Char.R6 (X5R)



Typical temperature characteristics Char.R7 (X7R)



Typical temperature characteristics Char.F5 (Y5V)



2. Measurement of Capacitance

1. Measure capacitance with the voltage and the frequency specified in the product specifications.

1-1. The output voltage of the measuring equipment may decrease when capacitance is high occasionally. Please confirm whether a prescribed measured voltage is impressed to the capacitor.

1-2. The capacitance values of high dielectric constant type capacitors change depending on the AC voltage applied.

Please consider the AC voltage characteristics when selecting a capacitor to be used in a AC circuit.

### 3. Applied Voltage

1. Do not apply a voltage to the capacitor that exceeds the rated voltage as called-out in the specifications.

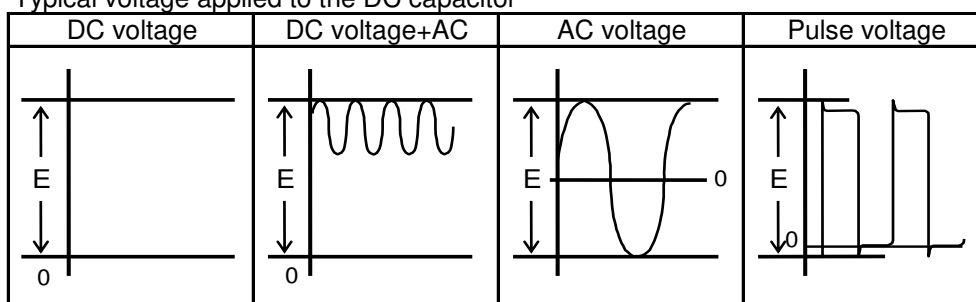
1-1. Applied voltage between the terminals of a capacitor shall be less than or equal to the rated voltage.

(1) When AC voltage is superimposed on DC voltage, the zero-to-peak voltage shall not exceed the rated DC voltage.

When AC voltage or pulse voltage is applied, the peak-to-peak voltage shall not exceed the rated DC voltage.

(2) Abnormal voltages (surge voltage, static electricity, pulse voltage, etc.) shall not exceed the rated DC voltage.

Typical voltage applied to the DC capacitor



(E : Maximum possible applied voltage.)

1-2. Influence of overvoltage

Overvoltage that is applied to the capacitor may result in an electrical short circuit caused by the breakdown of the internal dielectric layers .

The time duration until breakdown depends on the applied voltage and the ambient temperature.

### 4. Applied Voltage and Self-heating Temperature

1. When the capacitor is used in a high-frequency voltage, pulse voltage, application, be sure to take into account self-heating may be caused by resistant factors of the capacitor.

1-1. The load should be contained to the level such that when measuring at atmospheric temperature of 25°C, the product's self-heating remains below 20°C and surface temperature of the capacitor in the actual circuit remains within the maximum operating temperature.

## 5. DC Voltage and AC Voltage Characteristic

1. The capacitance value of a high dielectric constant type capacitor changes depending on the DC voltage applied.

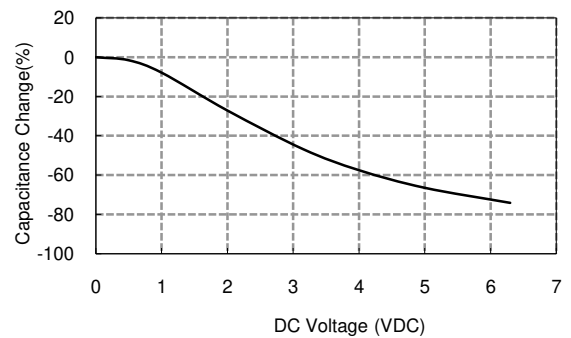
Please consider the DC voltage characteristics when a capacitor is selected for use in a DC circuit.

1-1. The capacitance of ceramic capacitors may change sharply depending on the applied voltage. (See figure)  
Please confirm the following in order to secure the capacitance.

(1) Whether the capacitance change caused by the applied voltage is within the range allowed or not.

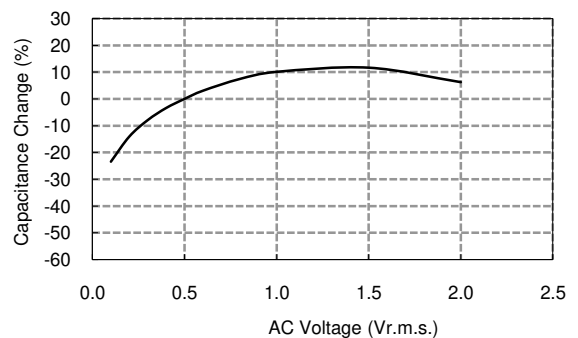
DC voltage characteristics

(2) In the DC voltage characteristics, the rate of capacitance change becomes larger as voltage increases. Even if the applied voltage is below the rated voltage. When a high dielectric constant type capacitor is in a circuit that needs a tight (narrow) capacitance tolerance. Example: a time constant circuit., please carefully consider the characteristics of these capacitors, such as their aging, voltage, and temperature characteristics. And check capacitors using your actual appliances at the intended environment and operating conditions.



2. The capacitance values of high dielectric constant type capacitors change depending on the AC voltage applied. Please consider the AC voltage characteristics when selecting a capacitor to be used in a AC circuit.

AC voltage characteristics

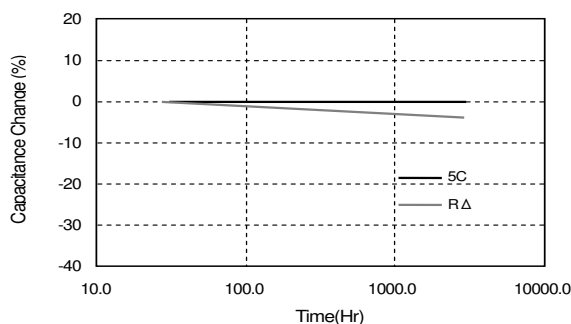


## 6. Capacitance Aging

1. The high dielectric constant type capacitors have the characteristic in which the capacitance value decreases with passage of time.

When you use a high dielectric constant type capacitors in a circuit that needs a tight (narrow) capacitance tolerance. Example: a time constant circuit., please carefully consider the characteristics of these capacitors, such as their aging, voltage, and temperature characteristics.

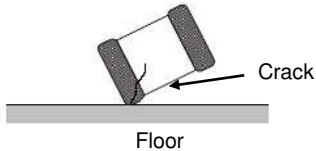
And check capacitors using your actual appliances at the intended environment and operating conditions.



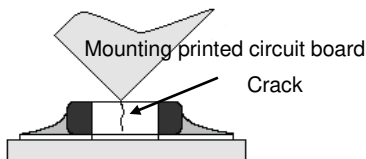


## 7. Vibration and Shock

1. Please confirm the kind of vibration and/or shock, its condition, and any generation of resonance.  
Please mount the capacitor so as not to generate resonance, and do not allow any impact on the terminals.
2. Mechanical shock due to falling may cause damage or a crack in the dielectric material of the capacitor.  
Do not use a fallen capacitor because the quality and reliability may be deteriorated.



3. When printed circuit boards are piled up or handled, the corners of another printed circuit board should not be allowed to hit the capacitor in order to avoid a crack or other damage to the capacitor.

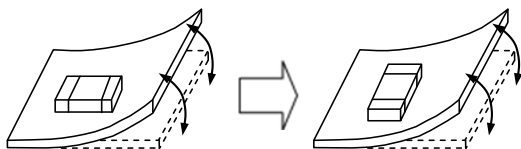


### ■ Soldering and Mounting

#### 1. Mounting Position

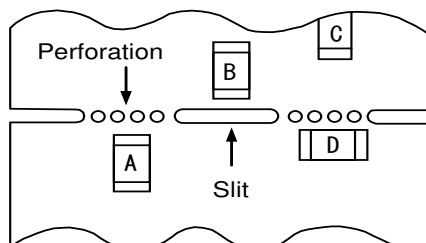
1. Confirm the best mounting position and direction that minimizes the stress imposed on the capacitor during flexing or bending the printed circuit board.
- 1-1. Choose a mounting position that minimizes the stress imposed on the chip during flexing or bending of the board.

[Component Direction]



Locate chip horizontal to the direction in which stress acts

[Chip Mounting Close to Board Separation Point]



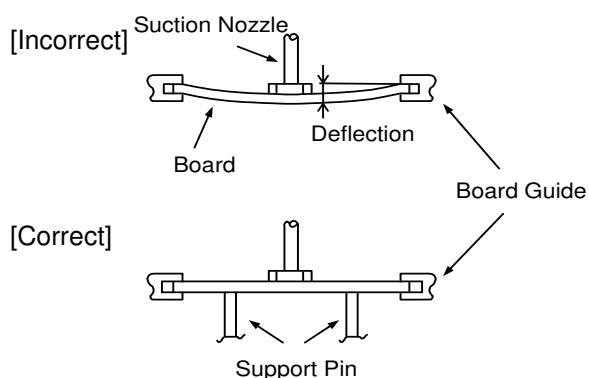
Chip arrangement  
Worst A-C-(B~D) Best

## **2.Information before mounting**

1. Do Not re-use capacitors that were removed from the equipment.
2. Confirm capacitance characteristics under actual applied voltage.
3. Confirm the mechanical stress under actual process and equipment use.
4. Confirm the rated capacitance, rated voltage and other electrical characteristics before assembly.
5. Prior to use, confirm the Solderability for the capacitors that were in long-term storage.
6. Prior to measuring capacitance, carry out a heat treatment for capacitors that were in long-term storage.
7. The use of Sn-Zn based solder will deteriorate the reliability of the MLCC.  
Please contact our sales representative or product engineers on the use of Sn-Zn based solder in advance.

## **3.Maintenance of the Mounting (pick and place) Machine**

1. Make sure that the following excessive forces are not applied to the capacitors.
  - 1-1. In mounting the capacitors on the printed circuit board, any bending force against them shall be kept to a minimum to prevent them from any bending damage or cracking. Please take into account the following precautions and recommendations for use in your process.
    - (1) Adjust the lowest position of the pickup nozzle so as not to bend the printed circuit board.
    - (2) Adjust the nozzle pressure within a static load of 1N to 3N during mounting.



2. Dirt particles and dust accumulated between the suction nozzle and the cylinder inner wall prevent the nozzle from moving smoothly. This imposes greater force upon the chip during mounting, causing cracked chips. Also the locating claw, when worn out, imposes uneven forces on the chip when positioning, causing cracked chips. The suction nozzle and the locating claw must be maintained, checked and replaced periodically.

### 4-1.Reflow Soldering

1. When sudden heat is applied to the components, the mechanical strength of the components will decrease because a sudden temperature change causes deformation inside the components. In order to prevent mechanical damage to the components, preheating is required for both the components and the PCB board. Preheating conditions are shown in table 1. It is required to keep the temperature differential between the solder and the components surface ( $\Delta T$ ) as small as possible.
2. Solderability of Tin plating termination chips might be deteriorated when a low temperature soldering profile where the peak solder temperature is below the melting point of Tin is used. Please confirm the Solderability of Tin plated termination chips before use.
3. When components are immersed in solvent after mounting, be sure to maintain the temperature difference ( $\Delta T$ ) between the component and the solvent within the range shown in the table 1.

Table 1

| Part Number          | Temperature Differential            |
|----------------------|-------------------------------------|
| GR□02/03/15/18/21/31 | $\Delta T \leq 190^{\circ}\text{C}$ |
| GR□32/43/55          | $\Delta T \leq 130^{\circ}\text{C}$ |

#### Recommended Conditions

|                  | Pb-Sn Solder    |              | Lead Free Solder      |
|------------------|-----------------|--------------|-----------------------|
|                  | Infrared Reflow | Vapor Reflow |                       |
| Peak Temperature | 230~250°C       | 230~240°C    | 240~260°C             |
| Atmosphere       | Air             | Air          | Air or N <sub>2</sub> |

Pb-Sn Solder: Sn-37Pb

Lead Free Solder: Sn-3.0Ag-0.5Cu

### 4. Optimum Solder Amount for Reflow Soldering

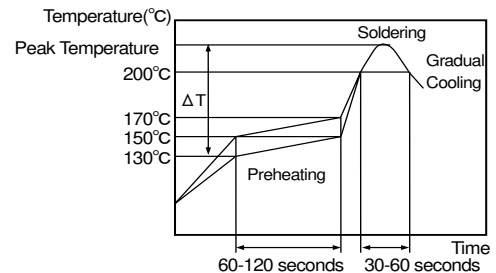
- 4-1. Overly thick application of solder paste results in a excessive solder fillet height. This makes the chip more susceptible to mechanical and thermal stress on the board and may cause the chips to crack.
- 4-2. Too little solder paste results in a lack of adhesive strength on the outer electrode, which may result in chips breaking loose from the PCB.
- 4-3. Make sure the solder has been applied smoothly to the end surface to a height of 0.2mm\* min.

Inverting the PCB

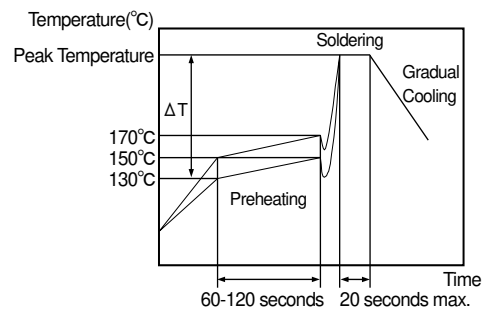
 Make sure not to impose any abnormal mechanical shocks to the PCB.

[Standard Conditions for Reflow Soldering]

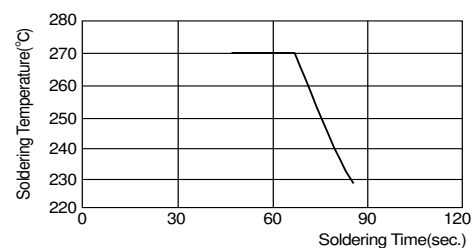
#### Infrared Reflow



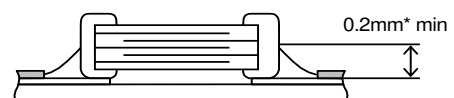
#### Vapor Reflow



[Allowable Soldering Temperature and Time]



In case of repeated soldering, the accumulated soldering time must be within the range shown above.



\* GRM02/03: 1/3 of Chip Thickness min.

in section

## 4-2. Flow Soldering

- When sudden heat is applied to the components, the mechanical strength of the components will decrease because a sudden temperature change causes deformation inside the components. In order to prevent mechanical damage in the components, preheating should be required for both of the components and the PCB board. Preheating conditions are shown in table 2. It is required to keep temperature differential between the solder and the components surface ( $\Delta T$ ) as small as possible.
- Excessively long soldering time or high soldering temperature can result in leaching of the outer electrodes, causing poor adhesion or a reduction in capacitance value due to loss of contact between electrodes and end termination.
- When components are immersed in solvent after mounting, be sure to maintain the temperature difference ( $\Delta T$ ) between the component and solvent within the range shown in the table 2.
- Do not apply flow soldering to chips not listed in Table 2.

Table 2

| Part Number | Temperature Differential            |
|-------------|-------------------------------------|
| GR□18/21/31 | $\Delta T \leq 150^{\circ}\text{C}$ |

### Recommended Conditions

|                             | Pb-Sn Solder | Lead Free Solder |
|-----------------------------|--------------|------------------|
| Preheating Peak Temperature | 90~110°C     | 100~120°C        |
| Soldering Peak Temperature  | 240~250°C    | 250~260°C        |
| Atmosphere                  | Air          | N <sub>2</sub>   |

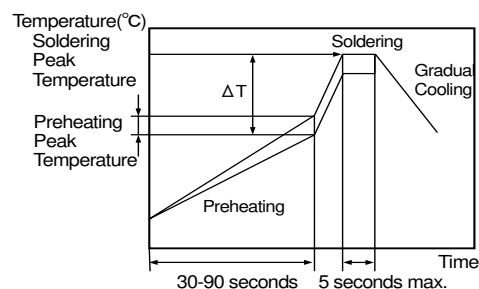
Pb-Sn Solder: Sn-37Pb

Lead Free Solder: Sn-3.0Ag-0.5Cu

### 5. Optimum Solder Amount for Flow Soldering

- The top of the solder fillet should be lower than the thickness of components. If the solder amount is excessive, the risk of cracking is higher during board bending or any other stressful condition.

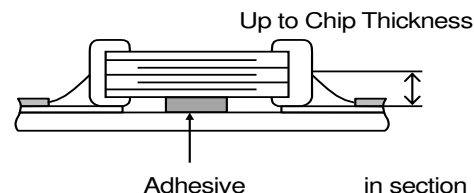
### [Standard Conditions for Flow Soldering]



### [Allowable Soldering Temperature and Time]



In case of repeated soldering, the accumulated soldering time must be within the range shown above.



### 4-3. Correction with a Soldering Iron

1. When sudden heat is applied to the components when using a soldering iron, the mechanical strength of the components will decrease because the extreme temperature change can cause deformations inside the components. In order to prevent mechanical damage to the components, preheating is required for both the components and the PCB board. Preheating conditions, (The "Temperature of the Soldering Iron tip", "Preheating Temperature", "Temperature Differential" between the iron tip and the components and the PCB), should be within the conditions of table 3. It is required to keep the temperature differential between the soldering iron and the component surfaces ( $\Delta T$ ) as small as possible.
2. After soldering, do not allow the component/PCB to rapidly cool down.
3. The operating time for the re-working should be as short as possible. When re-working time is too long, it may cause solder leaching, and that will cause a reduction in the adhesive strength of the terminations.

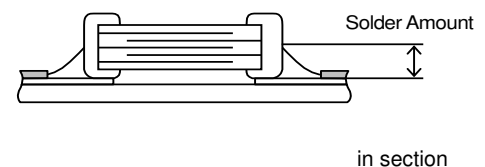
Table 3

| Part Number       | Temperature of Soldering Iron tip | Preheating Temperature | Temperature Differential ( $\Delta T$ ) | Atmosphere |
|-------------------|-----------------------------------|------------------------|---|------------|
| GR□03/15/18/21/31 | 350°C max.                        | 150°C min.             | $\Delta T \leq 190^\circ\text{C}$       | Air        |
| GR□32/43/55       | 280°C max.                        | 150°C min.             | $\Delta T \leq 130^\circ\text{C}$       | Air        |

\*Applicable for both Pb-Sn and Lead Free Solder  
 Pb-Sn Solder: Sn-37Pb  
 Lead Free Solder: Sn-3.0Ag-0.5Cu

### 4. Optimum Solder amount when re-working with a Soldering Iron

- 4-1. In case of sizes smaller than 0603, (GR□03/15/18), the top of the solder fillet should be lower than 2/3's of the thickness of the component or 0.5mm whichever is smaller. In case of 0805 and larger sizes, (GR□21/31/32/43/55), the top of the solder fillet should be lower than 2/3's of the thickness of the component. If the solder amount is excessive, the risk of cracking is higher during board bending or under any other stressful condition.



- 4-2. A Soldering iron with a tip of  $\phi 3\text{mm}$  or smaller should be used. It is also necessary to keep the soldering iron from touching the components during the re-work.
- 4-3. Solder wire with  $\phi 0.5\text{mm}$  or smaller is required for soldering.

### 4-4. Leaded Component Insertion

1. If the PCB is flexed when leaded components (such as transformers and ICs) are being mounted, chips may crack and solder joints may break. Before mounting leaded components, support the PCB using backup pins or special jigs to prevent warping.

## 5. Washing

Excessive ultrasonic oscillation during cleaning can cause the PCBs to resonate, resulting in cracked chips or broken solder joints. Take note not to vibrate PCBs.

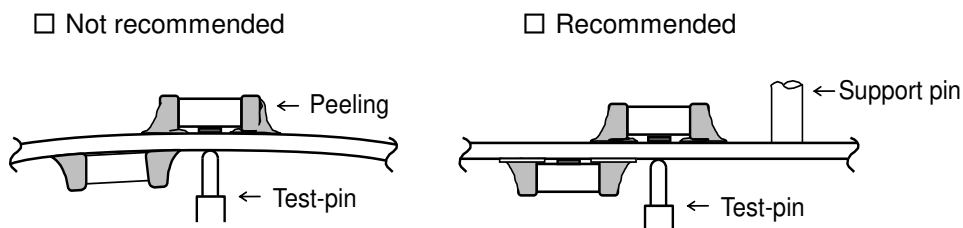
## 6. Electrical Test on Printed Circuit Board

1. Confirm position of the support pin or specific jig, when inspecting the electrical performance of a capacitor after mounting on the printed circuit board.

1-1. Avoid bending printed circuit board by the pressure of a test pin, etc.

The thrusting force of the test probe can flex the PCB, resulting in cracked chips or open solder joints. Provide support pins on the back side of the PCB to prevent warping or flexing.

1-2. Avoid vibration of the board by shock when a test pin contacts a printed circuit board.



## 7. Printed Circuit Board Cropping

1. After mounting a capacitor on a printed circuit board, do not apply any stress to the capacitor that is caused by bending or twisting the board.

1-1. In cropping the board, the stress as shown right may cause the capacitor to crack.  
Try not to apply this type of stress to a capacitor.

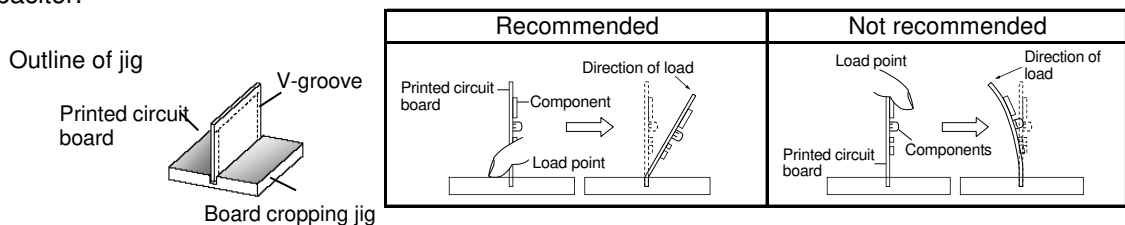


2. Check of the cropping method for the printed circuit board in advance.

2-1. Printed circuit board cropping shall be carried out by using a jig or an apparatus to prevent the mechanical stress which can occur to the board.

(1) Example of a suitable jig

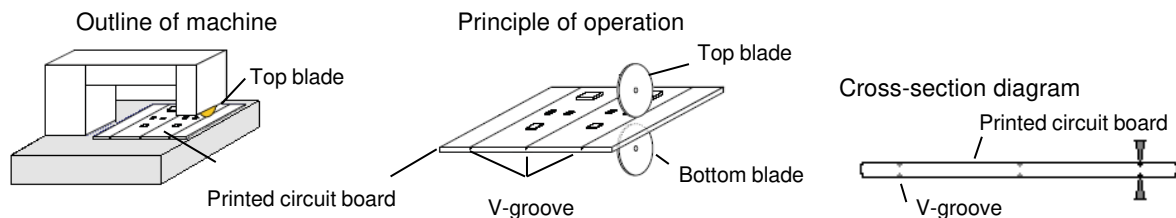
Recommended example: the board should be pushed as close to the near the cropping jig as possible and from the back side of board in order to minimize the compressive stress applied to capacitor.  
Not recommended example\* when the board is pushed at a point far from the cropping jig and from the front side of board as below, the capacitor may form a crack caused by the tensile stress applied to capacitor.



(2) Example of a suitable machine

An outline of a printed circuit board cropping machine is shown as follows. Along the lines with the V-grooves on printed circuit board, the top and bottom blades are aligned to one another when cropping the board.

The misalignment of the position between top and bottom blades may cause the capacitor to crack.



| Recommended               | Not recommended           |                           |                           |
|---------------------------|---------------------------|---------------------------|---------------------------|
|                           | Top-bottom misalignment   | Left-right misalignment   | Front-rear misalignment   |
|                           |                           |                           |                           |
| Top blade<br>Bottom blade | Top blade<br>Bottom blade | Top blade<br>Bottom blade | Top blade<br>Bottom blade |

## ■ Others

### **1. Under Operation of Equipment**

- 1-1. Do not touch a capacitor directly with bare hands during operation in order to avoid the danger of a electric shock.
- 1-2. Do not allow the terminals of a capacitor to come in contact with any conductive objects (short-circuit). Do not expose a capacitor to a conductive liquid, inducing any acid or alkali solutions.
- 1-3. Confirm the environment in which the equipment will operation is under the specified conditions. Do not use the equipment under the following environment.
  - (1) Being splattered with water or oil.
  - (2) Being exposed to direct sunlight.
  - (3) Being exposed to Ozone, ultraviolet rays or radiation.
  - (4) Being exposed to toxic gas (e.g., hydrogen sulfide, sulfur dioxide, chlorine, ammonia gas etc.)
  - (5) Any vibrations or mechanical shocks exceeding the specified limits.
  - (6) Moisture condensing environments.
- 1-4. Use damp proof countermeasures if using under any conditions that can cause condensation.

### **2. Others**

#### 2-1. In an Emergency

- (1) If the equipment should generate smoke, fire or smell, immediately turn off or unplug the equipment. If the equipment is not turned off or unplugged, the hazards may be worsened by supplying continuous power.
- (2) In this type of situation, do not allow face and hands to come in contact with the capacitor or burns may be caused by the capacitors high temperature.

#### 2-2. Disposal of waste

When capacitors are disposed, they must be burned or buried by the industrial waste vender with the appropriate licenses.

#### 2-3. Circuit Design

GRM Series capacitors in this specification are not safety recognized products.

#### 2-4. Remarks

Failure to follow the cautions may result, worst case, in a short circuit and smoking when the product is used.

The above notices are for standard applications and conditions. Contact us when the products are used in special mounting conditions.

Select optimum conditions for operation as they determine the reliability of the product after assembly.

The data herein are given in typical values, not guaranteed ratings.



## ■ Rating

### **1. Operating Temperature**

1. The operating temperature limit depends on the capacitor.

1-1. Do not apply temperatures exceeding the upper operating temperature.

It is necessary to select a capacitor with a suitable rated temperature which will cover the operating temperature range.

Also it is necessary to consider the temperature distribution in equipment and the seasonal temperature variable factor.

1-2. Consider the self-heating of the capacitor

The surface temperature of the capacitor shall be the upper operating temperature or less when including the self-heating factors.

### **2. Atmosphere surroundings (gaseous and liquid)**

1. Restriction on the operating environment of capacitors.

1-1. The capacitor, when used in the above, unsuitable, operating environments may deteriorate due to the corrosion of the terminations and the penetration of moisture into the capacitor.

1-2. The same phenomenon as the above may occur when the electrodes or terminals of the capacitor are subject to moisture condensation.

1-3. The deterioration of characteristics and insulation resistance due to the oxidization or corrosion of terminal electrodes may result in breakdown when the capacitor is exposed to corrosive or volatile gases or solvents for long periods of time.

### **3. Piezo-electric Phenomenon**

1. When using high dielectric constant type capacitors in AC or pulse circuits, the capacitor itself vibrates at specific frequencies and noise may be generated.

Moreover, when the mechanical vibration or shock is added to capacitor, noise may occur.

## ■ Soldering and Mounting

### 1.PCB Design

#### 1. Notice for Pattern Forms

1-1. Unlike leaded components, chip components are susceptible to flexing stresses since they are mounted directly on the substrate.

They are also more sensitive to mechanical and thermal stresses than leaded components.

Excess solder fillet height can multiply these stresses and cause chip cracking. When designing substrates, take land patterns and dimensions into consideration to eliminate the possibility of excess solder fillet height.

1-2. There is a possibility of chip crack caused by PCB expansion/contraction with heat.

Because stress for chip is different depend on PCB material and structure. Especially metal PCB such as alumina has a greater risk of chip crack because of large difference of thermal expansion coefficient. In case of chip below 0402 size, there is also the same possibility of crack with a single-layered glass epoxy board.

#### Pattern Forms

|   | Prohibited | Correct |
|---|------------|---------|
| Placing Close to Chassis                          |            |         |
| Placing of Chip Components and Leaded Components  |            |         |
| Placing of Leaded Components after Chip Component |            |         |
| Lateral Mounting                                  |            |         |