



Chipsmall Limited consists of a professional team with an average of over 10 year of expertise in the distribution of electronic components. Based in Hongkong, we have already established firm and mutual-benefit business relationships with customers from,Europe,America and south Asia,supplying obsolete and hard-to-find components to meet their specific needs.

With the principle of "Quality Parts,Customers Priority,Honest Operation,and Considerate Service",our business mainly focus on the distribution of electronic components. Line cards we deal with include Microchip,ALPS,ROHM,Xilinx,Pulse,ON,Everlight and Freescale. Main products comprise IC,Modules,Potentiometer,IC Socket,Relay,Connector.Our parts cover such applications as commercial,industrial, and automotives areas.

We are looking forward to setting up business relationship with you and hope to provide you with the best service and solution. Let us make a better world for our industry!



## Contact us

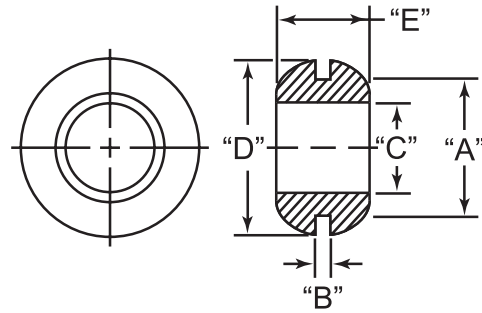
Tel: +86-755-8981 8866 Fax: +86-755-8427 6832

Email & Skype: info@chipsmall.com Web: www.chipsmall.com

Address: A1208, Overseas Decoration Building, #122 Zhenhua RD., Futian, Shenzhen, China



**GRO**  
Flexible PVC Hole Grommet



- Non-staining; resistant to ozone, acids and sunlight
- Excellent aging quality

Material: PVC Color: Black									
Part No.	"A" Panel Hole Ø	"B" Panel Thickness	"C" I.D.	"D" O.D.	"E" Depth	Shore A Hardness	Standard Pack		
GRO018031A	.188 (4.8)	.031 (.8)	.109 (2.8)	.313 (7.9)	.188 (4.8)	55	10,000		
GRO018061A		.063 (1.6)	.125 (3.2)	.313 (7.9)	.250 (6.4)				
GRO023041A	.234 (6.0)	.047 (1.2)	.125 (3.2)	.344 (8.7)	.156 (4)	43			
GRO025031A	.250 (6.4)	.031 (.8)	.156 (4)	.375 (9.5)	.156 (4)				
GRO025061A		.063 (1.6)	.156 (4)	.375 (9.5)	.250 (6.4)	55			
GRO025062A		.063 (1.6)	.188 (4.8)	.375 (9.5)	.281 (7.1)			43	
GRO025121A		.125 (3.2)	.156 (4)	.375 (9.5)	.313 (7.9)				
GRO028091A	.281 (7.1)	.094 (2.4)	.188 (4.8)	.438 (11.1)	.281 (7.1)	55		10,000	
GRO031031A	.313 (7.9)	.031 (.8)	.188 (4.8)	.438 (11.1)	.188 (4.8)				
GRO031041A		.047 (1.2)	.219 (5.6)	.438 (11.1)	.156 (4)	43			
GRO031061A		.063 (1.6)	.219 (5.6)	.438 (11.1)	.219 (5.6)				
GRO031121A		.125 (3.2)	.125 (3.2)	.438 (11.1)	.313 (7.9)				
GRO037041A	.375 (9.5)	.047 (1.2)	.281 (7.1)	.563 (14.3)	.188 (4.8)	55	10,000		
GRO037061A		.063 (1.6)	.250 (6.4)	.563 (14.3)	.250 (6.4)				
GRO037091A		.094 (2.4)	.250 (6.4)	.563 (14.3)	.281 (7.1)				
GRO040061A	.406 (10.3)	.063 (1.6)	.281 (7.1)	.563 (14.3)	.156 (4)				8,000
GRO043061A	.438 (11.1)	.063 (1.6)	.313 (7.9)	.563 (14.3)	.188 (4.8)				
GRO046071A	.469 (11.9)	.078 (2.0)	.375 (9.5)	.688 (17.5)	.266 (6.8)				
GRO050061A	.500 (12.7)	.063 (1.6)	.375 (9.5)	.688 (17.5)	.281 (7.1)				
GRO050121A		.125 (3.2)	.313 (7.9)	.625 (15.9)	.313 (7.9)				
GRO050122A		.125 (3.2)	.375 (9.5)	.688 (17.5)	.344 (8.7)				
GRO056061A	.563 (14.3)	.063 (1.6)	.438 (11.1)	.750 (19.1)	.250 (6.4)			8,000	
GRO062031A	.625 (15.9)	.031 (.8)	.438 (11.1)	.750 (19.1)	.375 (9.5)				
GRO062041A		.047 (1.2)	.500 (12.7)	.813 (20.6)	.281 (7.1)				
GRO068031A	.688 (17.5)	.031 (.8)	.563 (14.3)	.875 (22.2)	.281 (7.1)				
GRO068061A		.063 (1.6)	.500 (12.7)	.875 (22.2)	.250 (6.4)				
GRO068062A		.063 (1.6)	.563 (14.3)	.875 (22.2)	.188 (4.8)				
GRO068121A		.125 (3.2)	.500 (12.7)	.875 (22.2)	.313 (7.9)				
GRO075061A	.750 (19.1)	.063 (1.6)	.625 (15.9)	.875 (22.2)	.219 (5.6)	10,000			
GRO075062A		.063 (1.6)	.629 (16)	.938 (23.8)	.188 (4.8)				
GRO081041A	.813 (20.6)	.047 (1.2)	.625 (15.9)	1.063 (27.0)	.313 (7.9)	4,000			
GRO087121A	.875 (22.3)	.125 (3.2)	.625 (15.9)	1.063 (27.0)	.375 (9.5)				
GRO100041A	1.000 (25.4)	.047 (1.2)	.750 (19.1)	1.250 (31.8)	.297 (7.5)	2,000			
GRO100061A		.063 (1.6)	.750 (19.1)	1.250 (31.8)	.313 (7.9)				
GRO100062A		.063 (1.6)	.875 (22.2)	1.250 (31.8)	.313 (7.9)				
GRO100121A		.125 (3.2)	.750 (19.1)	1.250 (31.8)	.375 (9.5)				
GRO125031A	1.250 (31.8)	.031 (.8)	1.000 (25.4)	1.750 (44.5)	.250 (6.4)	2,000			
GRO125061A		.063 (1.6)	1.000 (25.4)	1.500 (38.1)	.297 (7.5)				
GRO125121A		.125 (3.2)	1.000 (25.4)	1.500 (38.1)	.359 (9.1)				
GRO150061A	1.500 (38.1)	.063 (1.6)	1.250 (31.8)	1.813 (46)	.375 (9.5)	1,000			
GRO150121A		.125 (3.2)	1.250 (31.8)	1.813 (46)	.438 (11.1)				
GRO175061A	1.750 (44.5)	.063 (1.6)	1.500 (38.1)	2.000 (50.8)	.375 (9.5)	1,000			
GRO175121A		.125 (3.2)	1.500 (38.1)	2.000 (50.8)	.375 (9.5)				
GRO200061A	2.000 (50.8)	.063 (1.6)	1.750 (44.5)	2.375 (60.3)	.406 (10.3)	500			
GRO200121A		.125 (3.2)	1.750 (44.5)	2.375 (60.3)	.469 (11.9)				