



Chipsmall Limited consists of a professional team with an average of over 10 year of expertise in the distribution of electronic components. Based in Hongkong, we have already established firm and mutual-benefit business relationships with customers from,Europe,America and south Asia,supplying obsolete and hard-to-find components to meet their specific needs.

With the principle of “Quality Parts,Customers Priority,Honest Operation,and Considerate Service”,our business mainly focus on the distribution of electronic components. Line cards we deal with include Microchip,ALPS,ROHM,Xilinx,Pulse,ON,Everlight and Freescale. Main products comprise IC,Modules,Potentiometer,IC Socket,Relay,Connector.Our parts cover such applications as commercial,industrial, and automotives areas.

We are looking forward to setting up business relationship with you and hope to provide you with the best service and solution. Let us make a better world for our industry!



## Contact us

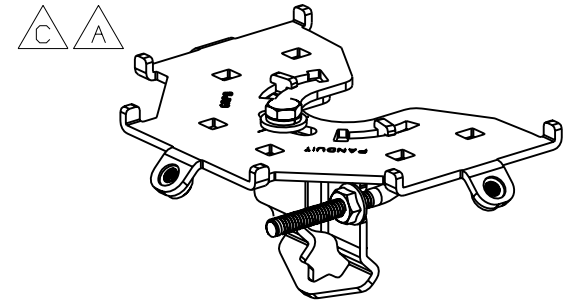
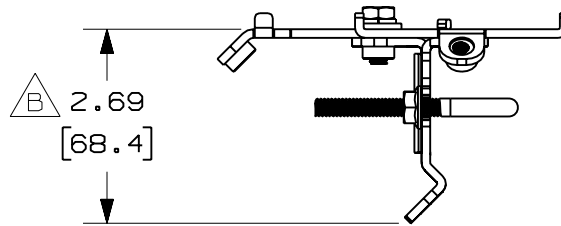
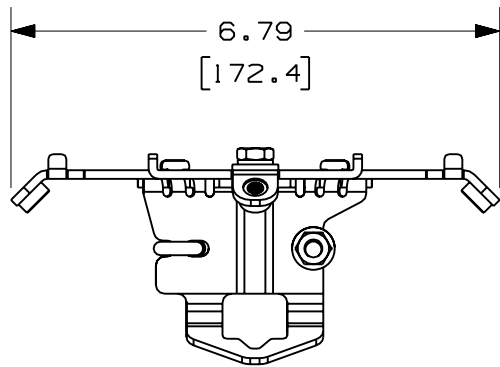
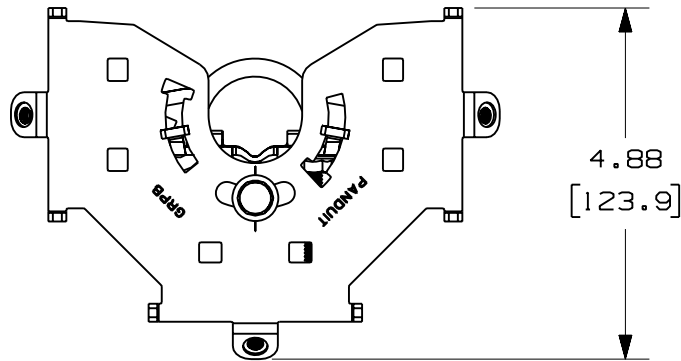
Tel: +86-755-8981 8866 Fax: +86-755-8427 6832

Email & Skype: info@chipsmall.com Web: www.chipsmall.com

Address: A1208, Overseas Decoration Building, #122 Zhenhua RD., Futian, Shenzhen, China



THIS COPY IS PROVIDED ON A RESTRICTED BASIS AND IS NOT TO BE USED IN ANY WAY DETRIMENTAL TO THE INTERESTS OF PANDUIT CORP.



PANDUIT PART NUMBER	WEIGHT
GRPBPG	0.91 LB/EA (413g/EA)



**NOTES:**

1. SEE CURRENT CATALOG FOR ADDITIONAL PART SUFFIXES TO INDICATE PACKAGE QUANTITY.
2. THE GRIDRUNNER PEDESTAL BRACKET IS USED TO SUPPORT THE GRIDRUNNER UNDERFLOOR CABLE ROUTING SYSTEM FROM 1" (25.4) DIAMETER ROUND OR 7/8" (22.2) SQUARE TUBE RAISED FLOOR PEDESTALS.
3. THE TOP ASSEMBLY OF THE GRIDRUNNER PEDESTAL BRACKET HAS BEEN DESIGNED TO ROTATE 22 1/2° FROM CENTER IN EITHER DIRECTION TO ACCOMMODATE ANY RAISED FLOOR PEDESTAL POSITION.
4. DIMENSIONS IN PARENTHESES ARE IN METRIC.

ENG. REF.: D39065JX\_DC/02 GRPB

CAD FILENAME/LAYERS: GRPBPG.pdf

**PANDUIT** CORP TINLEY PARK, ILLINOIS  
**GRIDRUNNER PEDESTAL BRACKET (GRPBPG)**  
 CUSTOMER DRAWING

UNLESS OTHERWISE SPECIFIED, DIMENSIONAL TOLERANCES ARE:  
 (.X) ± (.XXX) ±  
 (.XX) ± .05 (1.3) ANGLES ±

UNLESS OTHERWISE SPECIFIED, ALL DIMENSIONS ARE GIVEN IN INCHES, THIRD ANGLE PROJECTION.

REV	DATE	BY	CHK	DESCRIPTION	ECN	R	CUST	SUP	GMBH
2	10-31-08	MSO	SL	D. REVISED PART WEIGHT. C. REVISED PART GEOMETRY.	39065-71	RN	RN		
1	11-29-07	MSO	SABR	B. REVISED DIMENSION. A. REVISED PART GEOMETRY.	39065-71	RN	RN		
R	10-30-07	MSO	SABR	RELEASED TO PRODUCTION	39065-71	RN	RN		

DRAWN BY: MSO  
 DATE: 10-30-07  
 CHK'D: SABR

MAT'L: PRE-GALVANIZED STEEL

SCALE: NONE  
 DRAWING NO.: 39065-71  
 DWG SIZE: A