



Chipsmall Limited consists of a professional team with an average of over 10 year of expertise in the distribution of electronic components. Based in Hongkong, we have already established firm and mutual-benefit business relationships with customers from,Europe,America and south Asia,supplying obsolete and hard-to-find components to meet their specific needs.

With the principle of “Quality Parts,Customers Priority,Honest Operation,and Considerate Service”,our business mainly focus on the distribution of electronic components. Line cards we deal with include Microchip,ALPS,ROHM,Xilinx,Pulse,ON,Everlight and Freescale. Main products comprise IC,Modules,Potentiometer,IC Socket,Relay,Connector.Our parts cover such applications as commercial,industrial, and automotives areas.

We are looking forward to setting up business relationship with you and hope to provide you with the best service and solution. Let us make a better world for our industry!



## Contact us

Tel: +86-755-8981 8866 Fax: +86-755-8427 6832

Email & Skype: info@chipsmall.com Web: www.chipsmall.com

Address: A1208, Overseas Decoration Building, #122 Zhenhua RD., Futian, Shenzhen, China



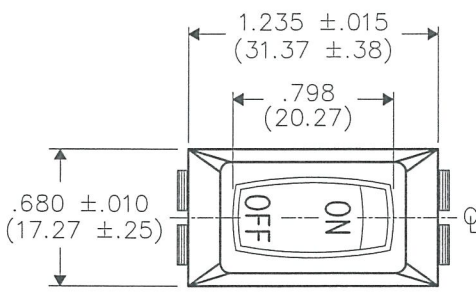
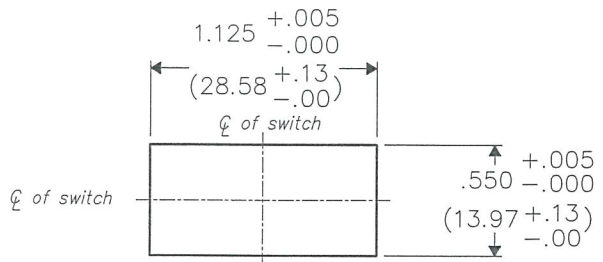
THIS INFORMATION IS CONFIDENTIAL AND PROPRIETARY TO CW INDUSTRIES INCORPORATED AND ITS AFFILIATES. IT MAY NOT BE DISCLOSED TO ANYONE OTHER THAN CW INDUSTRIES PERSONNEL, WITHOUT WRITTEN AUTHORIZATION FROM CW INDUSTRIES INCORPORATED, SOUTHAMPTON, PENNSYLVANIA USA.

F  
D  
C  
B  
A

DIMENSIONS IN INCHES (MILLIMETERS)  
 DO NOT SCALE DRAWING .....

Dwg. No.  
**GRS-2011-2055**

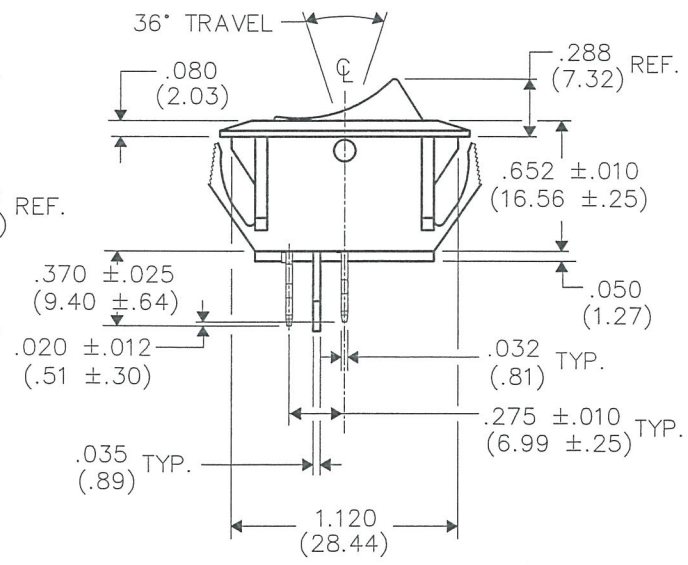
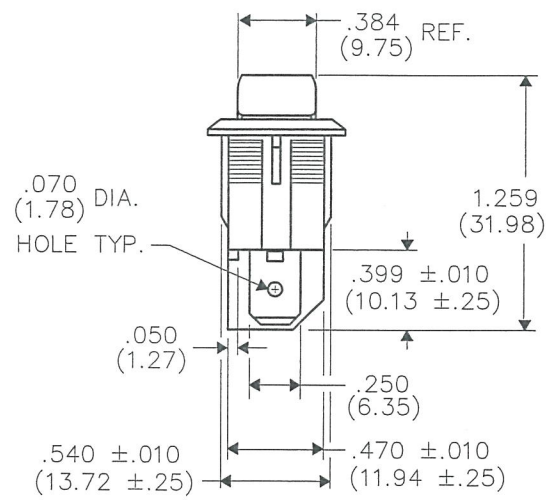
**PANEL PIERCING**



SWITCH COLOR - White  
 LEGEND COLOR - Gold

**SWITCH RATINGS:**

UL & CSA  
 16A. 125VAC 12A. 250VAC  
 3/4 H.P. 125-250 VAC  
 10A. 14V (T)



1 2 3 4 5 6 7 8 9 10

B-FORMAT 2002	<b>REVISIONS</b> RELEASED DGW 7-01-13 J 9 2013								
---------------	---	--	--	--	--	--	--	--	--

PDF MADE	<b>CW INDUSTRIES</b> Southampton, Pa. 18966 TOLERANCES UNLESS OTHERWISE SPECIFIED 2 Place Decimal $\pm 0.010$ METRIC 3 Place Decimal $\pm 0.005$ 1 Place Dec. $\pm 0.25$ mm Angles ..... $\pm 1^\circ$ 2 Place Dec. $\pm 0.13$ mm	Title: <b>ROCKER SWITCH ASSEMBLY S.P.S.T.</b> NON-POLARIZED W/BARRIER 1.125" x .550" PANEL
	Made for: CW IND.	Division: <b>SWITCH</b>
	Drawn by: DGW 7-01-13	Dwg. No. <b>GRS-2011-2055</b>
	Checked by: <i>G. Guld 7-2-13</i> Approval: <i>G. Guld 7-2-13</i>	

MASTER