



Chipsmall Limited consists of a professional team with an average of over 10 year of expertise in the distribution of electronic components. Based in Hongkong, we have already established firm and mutual-benefit business relationships with customers from,Europe,America and south Asia,supplying obsolete and hard-to-find components to meet their specific needs.

With the principle of “Quality Parts,Customers Priority,Honest Operation,and Considerate Service”,our business mainly focus on the distribution of electronic components. Line cards we deal with include Microchip,ALPS,ROHM,Xilinx,Pulse,ON,Everlight and Freescale. Main products comprise IC,Modules,Potentiometer,IC Socket,Relay,Connector.Our parts cover such applications as commercial,industrial, and automotives areas.

We are looking forward to setting up business relationship with you and hope to provide you with the best service and solution. Let us make a better world for our industry!



## Contact us

Tel: +86-755-8981 8866 Fax: +86-755-8427 6832

Email & Skype: info@chipsmall.com Web: www.chipsmall.com

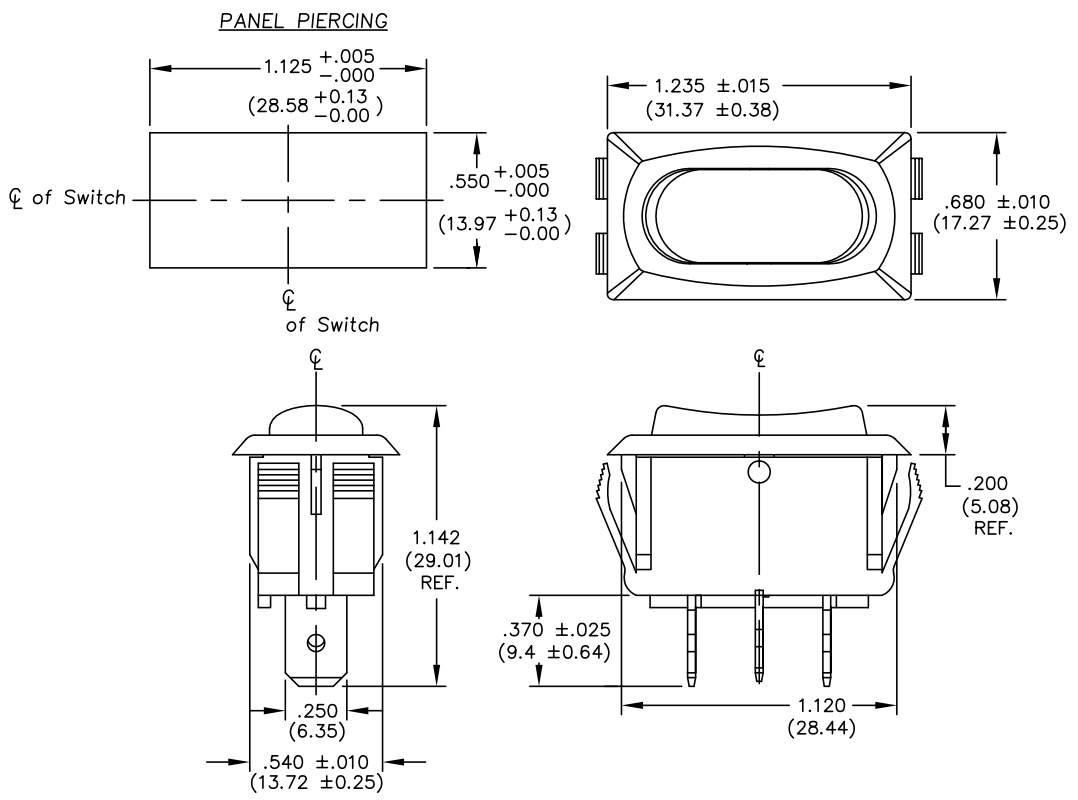
Address: A1208, Overseas Decoration Building, #122 Zhenhua RD., Futian, Shenzhen, China



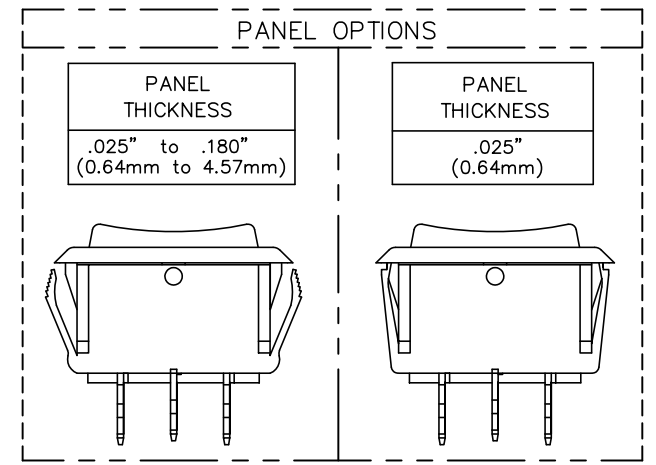
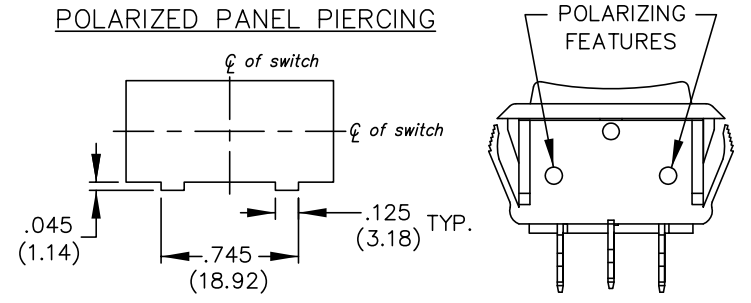
THIS INFORMATION IS CONFIDENTIAL AND PROPRIETARY TO CW INDUSTRIES INCORPORATED AND ITS AFFILIATES. IT MAY NOT BE DISCLOSED TO ANYONE, OTHER THAN CW INDUSTRIES PERSONNEL, WITHOUT WRITTEN AUTHORIZATION FROM CW INDUSTRIES INCORPORATED, SOUTHAMPTON, PENNSYLVANIA USA.

DIMENSIONS IN INCHES (MILLIMETERS)  
DO NOT SCALE DRAWING .....

Dwg. No.  
GRS-2013A-25XX



**POLARIZED OPTION**



**TERMINAL OPTIONS:**

.250" Wide Terminal is standard.  
(As Shown in Drawing)

.187" Wide Terminal is optional.

(GLOSSY FINISH)

B-FORMAT 2002	REVISIONS									

PDF FILE MADE	<b>CW INDUSTRIES</b> Southampton, Pa. 18966	Title: CENTER OFF ROCKER SWITCH ASSEMBLY STYLE LINE 1.125" x .550" PANEL
	TOLERANCES UNLESS OTHERWISE SPECIFIED	
	2 Place Decimal $\pm 0.010$ METRIC	
	3 Place Decimal $\pm 0.005$ 1 Place Dec. $\pm 0.25$ mm	
	Angles ..... $\pm 1^\circ$ 2 Place Dec. $\pm 0.13$ mm	
Made for: CW IND.	Division: SWITCH	
Drawn by: DGW 7-28-2010	Dwg. No. GRS-2013A-25XX	
Checked by:		
Approval:		