



Chipsmall Limited consists of a professional team with an average of over 10 year of expertise in the distribution of electronic components. Based in Hongkong, we have already established firm and mutual-benefit business relationships with customers from,Europe,America and south Asia,supplying obsolete and hard-to-find components to meet their specific needs.

With the principle of "Quality Parts,Customers Priority,Honest Operation,and Considerate Service",our business mainly focus on the distribution of electronic components. Line cards we deal with include Microchip,ALPS,ROHM,Xilinx,Pulse,ON,Everlight and Freescale. Main products comprise IC,Modules,Potentiometer,IC Socket,Relay,Connector.Our parts cover such applications as commercial,industrial, and automotives areas.

We are looking forward to setting up business relationship with you and hope to provide you with the best service and solution. Let us make a better world for our industry!



Contact us

Tel: +86-755-8981 8866 Fax: +86-755-8427 6832

Email & Skype: info@chipsmall.com Web: www.chipsmall.com

Address: A1208, Overseas Decoration Building, #122 Zhenhua RD., Futian, Shenzhen, China



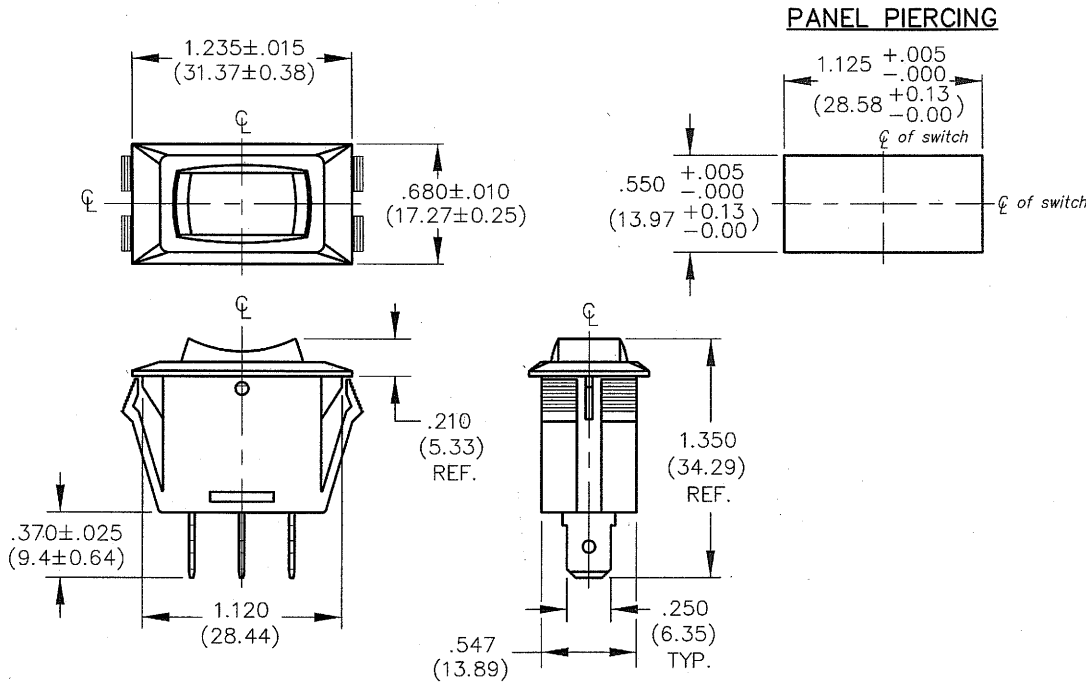
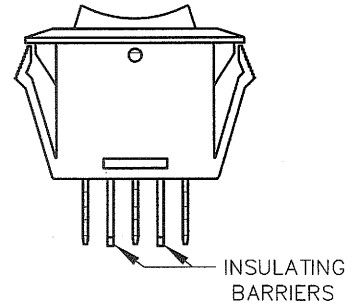
THIS INFORMATION IS CONFIDENTIAL AND PROPRIETARY TO CW INDUSTRIES INCORPORATED AND ITS AFFILIATES. IT MAY NOT BE DISCLOSED TO ANYONE OTHER THAN CW INDUSTRIES PERSONNEL, WITHOUT WRITTEN AUTHORIZATION FROM CW INDUSTRIES INCORPORATED, SOUTHAMPTON, PENNSYLVANIA USA.

DIMENSIONS IN INCHES (MILLIMETERS)
DO NOT SCALE DRAWING

Dwg. No.
GRS-2013B-XXXX

PANEL THICKNESS
.025" to .180"
(0.64mm to 4.57mm)

OPTIONAL BARRIERS:



1	2	3	4	5	6	7	8	9	10
---	---	---	---	---	---	---	---	---	----

B-FORMAT 2002	REVISIONS	0
	RELEASED:	28-2010
	DGW	01-25-2010

PDF FILE MADE	CW INDUSTRIES Southampton, Pa. 18966		Title: CENTER OFF ROCKER SWITCH WITH OPTIONS	
	<small>TOLERANCES UNLESS OTHERWISE SPECIFIED</small>			
	<small>2 Place Decimal \pm.010</small>		<small>METRIC</small>	
	<small>3 Place Decimal \pm.005</small>		<small>1 Place Dec. \pm.25mm</small>	
	<small>Angles \pm1'</small>		<small>2 Place Dec. \pm.13mm</small>	
	Made for: CW IND.		Division: SWITCH	
Drawn by: DGW 7-28-2010		Dwg. No.		
Checked by: <i>G. Gold 8-16-10</i>		GRS-2013B-XXXX		
Approval: <i>Edward J. [Signature]</i>				

MASTER