



Chipsmall Limited consists of a professional team with an average of over 10 year of expertise in the distribution of electronic components. Based in Hongkong, we have already established firm and mutual-benefit business relationships with customers from,Europe,America and south Asia,supplying obsolete and hard-to-find components to meet their specific needs.

With the principle of "Quality Parts,Customers Priority,Honest Operation,and Considerate Service",our business mainly focus on the distribution of electronic components. Line cards we deal with include Microchip,ALPS,ROHM,Xilinx,Pulse,ON,Everlight and Freescale. Main products comprise IC,Modules,Potentiometer,IC Socket,Relay,Connector.Our parts cover such applications as commercial,industrial, and automotives areas.

We are looking forward to setting up business relationship with you and hope to provide you with the best service and solution. Let us make a better world for our industry!



## Contact us

Tel: +86-755-8981 8866 Fax: +86-755-8427 6832

Email & Skype: info@chipsmall.com Web: www.chipsmall.com

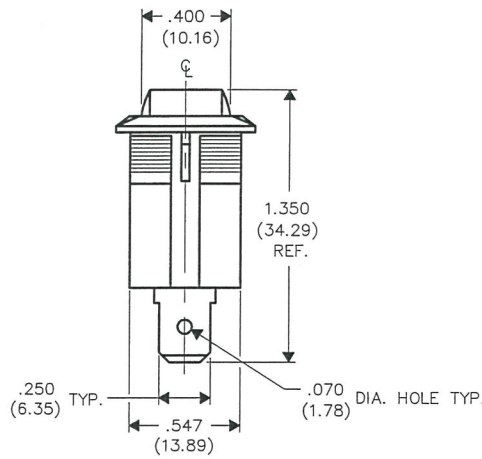
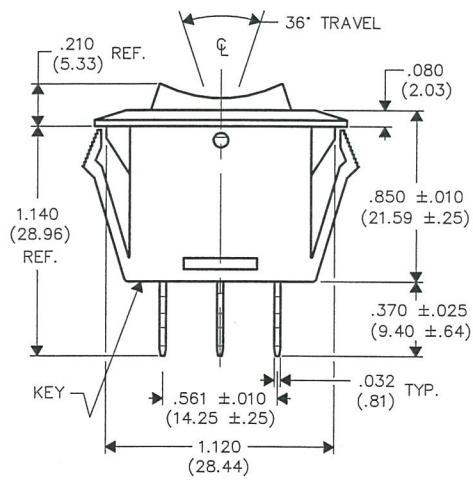
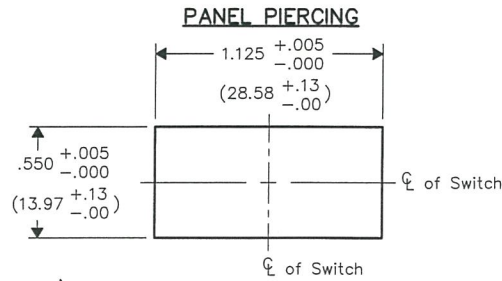
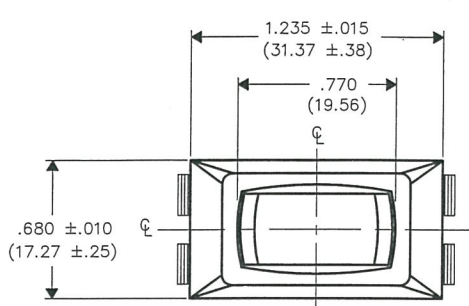
Address: A1208, Overseas Decoration Building, #122 Zhenhua RD., Futian, Shenzhen, China



DIMENSIONS IN INCHES (MILLIMETERS)  
DO NOT SCALE DRAWING .....

Dwg. No.

GRS-2013C-1300



E  
D  
C  
B  
A

1 2 3 4 5 6 7 8 9 10

B-FORMAT 2002	REVISIONS	0
	RELEASED: DGW	10-07-2002
	MOM./OFF/MOM. WAS	1
	MOM./OFF/ON IN TITLE.	
	DGW	12-07-2012
	<i>John Butler 12/10/2012</i>	

<p><b>PDF File Made (QRO)</b></p> <p><b>CW INDUSTRIES</b> Southampton, Pa. 18966</p> <p>TOLERANCES UNLESS OTHERWISE SPECIFIED</p> <p>2 Place Decimal ±.010 METRIC 3 Place Decimal ±.005 1 Place Dec. ±.25mm Angles ..... ±1" 2 Place Dec. ±.13mm</p> <p>Made for: CW IND.</p> <p>Drawn by: DGW 10-02-2002</p> <p>Checked by: <i>G. Gold 10-7-02</i></p> <p>Approval: <i>10-7-2</i></p>		<p>Title: <b>ROCKER SWITCH CENTER-OFF "POP IN" MOM./OFF/MOM.</b></p> <p>Division: <b>SWITCH</b></p> <p>Dwg. No. <b>GRS-2013C-1300</b></p>
--	--	---

**MASTER**