



Chipsmall Limited consists of a professional team with an average of over 10 year of expertise in the distribution of electronic components. Based in Hongkong, we have already established firm and mutual-benefit business relationships with customers from,Europe,America and south Asia,supplying obsolete and hard-to-find components to meet their specific needs.

With the principle of “Quality Parts,Customers Priority,Honest Operation,and Considerate Service”,our business mainly focus on the distribution of electronic components. Line cards we deal with include Microchip,ALPS,ROHM,Xilinx,Pulse,ON,Everlight and Freescale. Main products comprise IC,Modules,Potentiometer,IC Socket,Relay,Connector.Our parts cover such applications as commercial,industrial, and automotives areas.

We are looking forward to setting up business relationship with you and hope to provide you with the best service and solution. Let us make a better world for our industry!



Contact us

Tel: +86-755-8981 8866 Fax: +86-755-8427 6832

Email & Skype: info@chipsmall.com Web: www.chipsmall.com

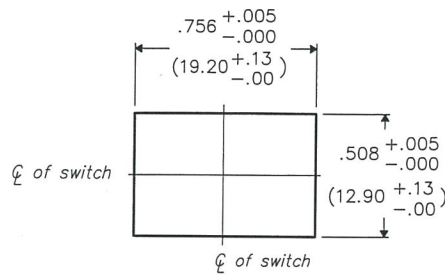
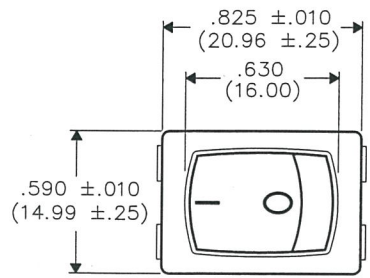
Address: A1208, Overseas Decoration Building, #122 Zhenhua RD., Futian, Shenzhen, China



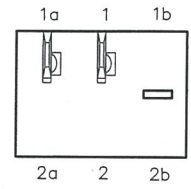
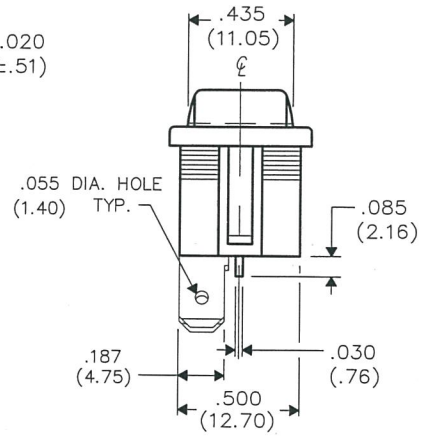
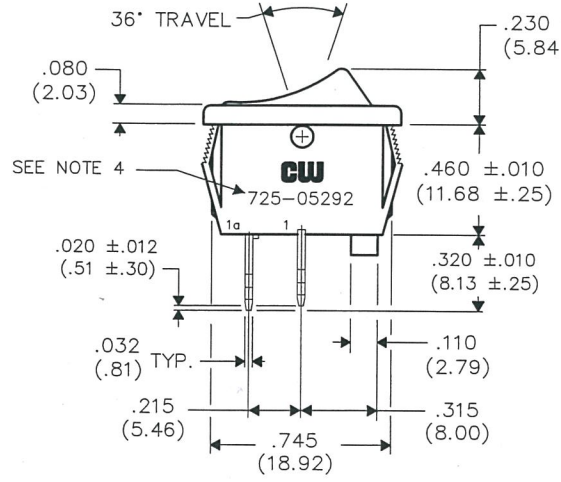
THIS INFORMATION IS CONFIDENTIAL AND PROPRIETARY TO CW INDUSTRIES INCORPORATED AND ITS AFFILIATES. IT MAY NOT BE DISCLOSED TO ANYONE OTHER THAN CW INDUSTRIES PERSONNEL, WITHOUT WRITTEN AUTHORIZATION FROM CW INDUSTRIES INCORPORATED, SOUTHAMPTON, PENNSYLVANIA, USA.

DIMENSIONS IN INCHES (MILLIMETERS)
DO NOT SCALE DRAWING

Dwg. No.
GRS-4011-0146



PANEL PIERCING



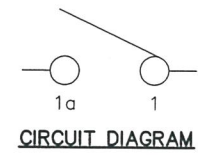
**BOTTOM VIEW
(RELOCATED)**

NOTES:

1. TERMINAL/MOVING CONTACT MATERIAL - CU ALLOY (MICROFINISHED)
2. HOUSING MATERIAL - NYLON 6/6
COLOR - BLACK
3. BUTTON MATERIAL - NYLON 6/6 15% GF
COLOR - CRAFTSMAN RED RD4E065
4. CUSTOMER PART NUMBER LOCATION AS SHOWN ON DRAWING

UL/CSA ELECTRICAL RATING:

- 13A. 125V.A.C. 10A. 250V.A.C.
- 1/2 H.P. 125-250V.A.C. 5A. 14V L



Switch Actuator is Shown in the Off Position.

B-FORMAT 2002	REVISIONS										CW INDUSTRIES Southampton, Pa. 18966 TOLERANCES UNLESS OTHERWISE SPECIFIED 2 Place Decimal ±.010 METRIC 3 Place Decimal ±.005 1 Place Dec. ±.25mm Angles ±1' 2 Place Dec. ±.13mm Made for: CW IND. Drawn by: EJP 10-21-2010 Checked by: Greg Guld 10/22/10 Approval: EJP 10/22/10	Title: MINI SWITCH SNAP - IN S.P.- S.T. Division: SWITCH Dwg. No. GRS-4011-0146
	0	1										
	NEW RELEASE EJP 10-21-2010 OCT. 25, 2010	Redrawn. Added circuit diagram & switch actuator note. DSW 2-11-10 FEB 11 2015 EJP										

MASTER