



Chipsmall Limited consists of a professional team with an average of over 10 year of expertise in the distribution of electronic components. Based in Hongkong, we have already established firm and mutual-benefit business relationships with customers from,Europe,America and south Asia,supplying obsolete and hard-to-find components to meet their specific needs.

With the principle of “Quality Parts,Customers Priority,Honest Operation,and Considerate Service”,our business mainly focus on the distribution of electronic components. Line cards we deal with include Microchip,ALPS,ROHM,Xilinx,Pulse,ON,Everlight and Freescale. Main products comprise IC,Modules,Potentiometer,IC Socket,Relay,Connector.Our parts cover such applications as commercial,industrial, and automotives areas.

We are looking forward to setting up business relationship with you and hope to provide you with the best service and solution. Let us make a better world for our industry!



Contact us

Tel: +86-755-8981 8866 Fax: +86-755-8427 6832

Email & Skype: info@chipsmall.com Web: www.chipsmall.com

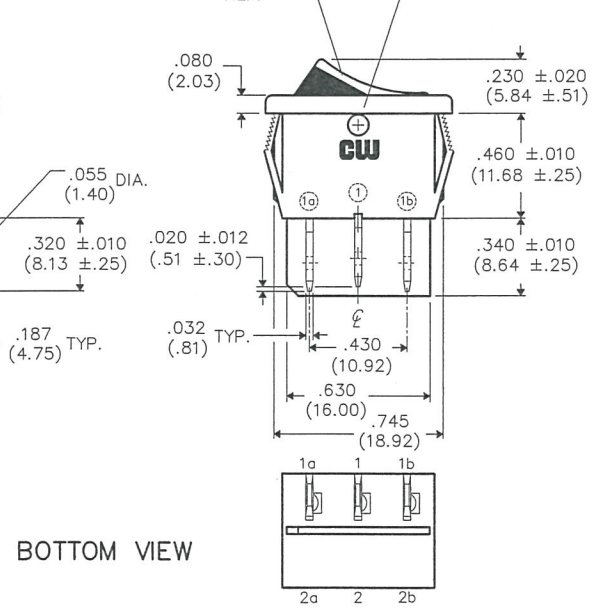
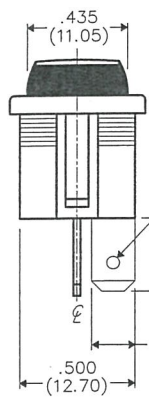
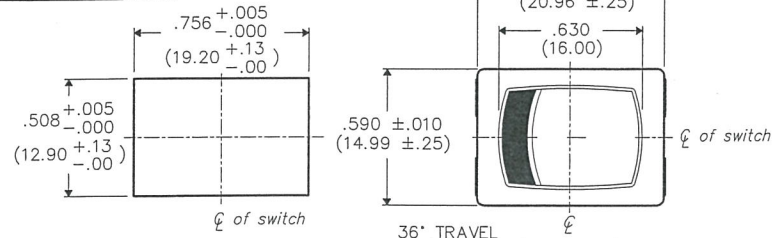
Address: A1208, Overseas Decoration Building, #122 Zhenhua RD., Futian, Shenzhen, China



THIS INFORMATION IS CONFIDENTIAL AND PROPRIETARY TO CW INDUSTRIES INCORPORATED AND ITS AFFILIATES. IT MAY NOT BE DISCLOSED TO ANYONE OTHER THAN CW INDUSTRIES PERSONNEL, WITHOUT WRITTEN AUTHORIZATION FROM CW INDUSTRIES INCORPORATED, SOUTHAMPTON, PENNSYLVANIA USA.

A B C D F

PANEL PIERCING



BOTTOM VIEW

DIMENSIONS IN INCHES (MILLIMETERS)
DO NOT SCALE DRAWING Dwg. No. **GRS-4012-0065**

UL, CSA & VDE LISTED:

16A 125-250VAC 3/4H.P. 125-250VAC
3A 125V L 10A 14V(T)
10(4) 250 ~ 4 T85'

MATERIALS:

BUTTON - NYLON 6/6 94V-2 COLOR, BLACK/RED
HOUSING - NYLON 6/6 94V-2 COLOR, BLACK
TERMINAL & MOVING CONTACT - COPPER ALLOY

1 2 3 4 5 6 7 8 9 10

B-FORMAT 2002	REVISIONS	0
	RELEASED:	DGW 2-25-2013
		FEB 26 2013

PDF MADE	CW INDUSTRIES Southampton, Pa. 18966		Title: 2 COLOR ROCKER SWIDGET ASSEMBLY SP/DT (POP-IN)
	TOLERANCES UNLESS OTHERWISE SPECIFIED		
	2 Place Decimal ±.010	METRIC	
	3 Place Decimal ±.005	1 Place Dec. ±.25mm	
	Angles ±1'	2 Place Dec. ±.13mm	
	Made for: CW IND.	Division: SWTCH	
Drawn by: DGW 2-25-2013	Dwg. No. GRS-4012-0065		
Checked by: <i>G. Gold 2-26-13</i>			
Approval: <i>C. H. 2/21/13</i>			

MASTER