



Chipsmall Limited consists of a professional team with an average of over 10 year of expertise in the distribution of electronic components. Based in Hongkong, we have already established firm and mutual-benefit business relationships with customers from,Europe,America and south Asia,supplying obsolete and hard-to-find components to meet their specific needs.

With the principle of "Quality Parts,Customers Priority,Honest Operation,and Considerate Service",our business mainly focus on the distribution of electronic components. Line cards we deal with include Microchip,ALPS,ROHM,Xilinx,Pulse,ON,Everlight and Freescale. Main products comprise IC,Modules,Potentiometer,IC Socket,Relay,Connector.Our parts cover such applications as commercial,industrial, and automotives areas.

We are looking forward to setting up business relationship with you and hope to provide you with the best service and solution. Let us make a better world for our industry!



## Contact us

Tel: +86-755-8981 8866 Fax: +86-755-8427 6832

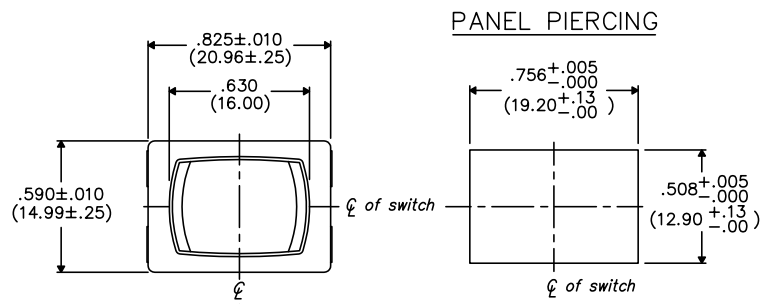
Email & Skype: info@chipsmall.com Web: www.chipsmall.com

Address: A1208, Overseas Decoration Building, #122 Zhenhua RD., Futian, Shenzhen, China



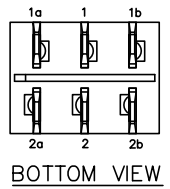
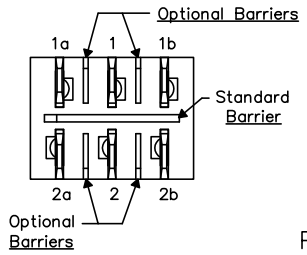
THIS INFORMATION IS CONFIDENTIAL AND PROPRIETARY TO CW INDUSTRIES INCORPORATED AND ITS AFFILIATES. IT MAY NOT BE DISCLOSED TO ANYONE OTHER THAN CW INDUSTRIES PERSONNEL, WITHOUT WRITTEN AUTHORIZATION FROM CW INDUSTRIES INCORPORATED, SOUTHAMPTON, PENNSYLVANIA USA.

B-FORMAT 2002  
 REVISIONS



**PANEL PIERCING**

**OPTIONAL INSULATING BARRIER**

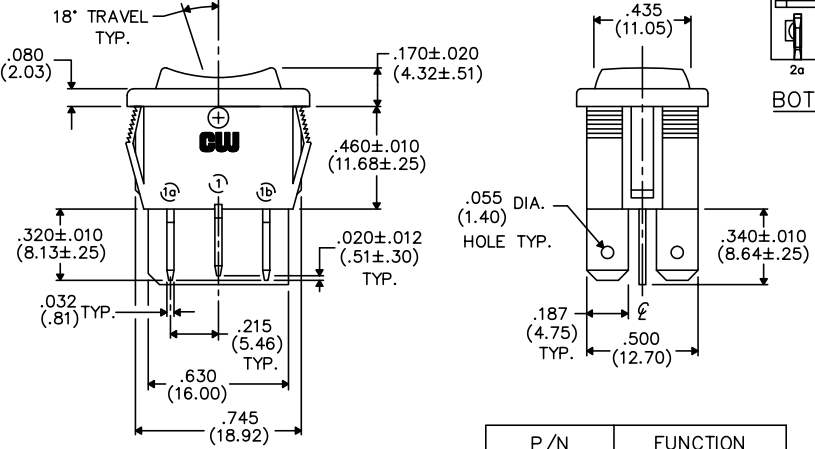
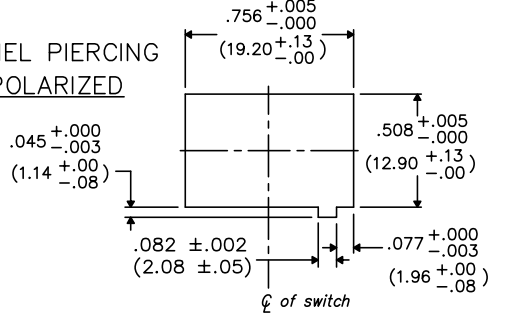


DIMENSIONS IN INCHES (MILLIMETERS)  
DO NOT SCALE DRAWING .....

Dwg. No.  
**GRS-4023A,B,C,-XXXX**

**MOUNTING PANEL THICKNESS**  
 Standard—.050" (1.27mm) to .150" (3.81mm).  
 Optional Mounting Claws for Custom Panel thickness are available.

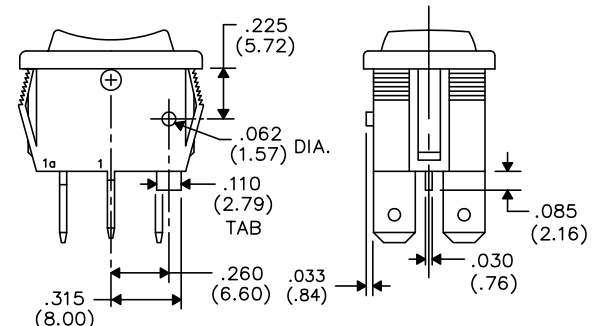
**PANEL PIERCING POLARIZED**



P/N	FUNCTION
GRS-4023A	Double Throw On-Off-On
GRS-4023B	Double Throw On-Off-(On)
GRS-4023C	Double Throw (On)-Off-(On)

**TERMINAL OPTIONS:**

- .187" (4.75mm) x .032" (.81mm) Solderless
- .110" (2.79mm) x .032" (.81mm) Solderless
- .187" (4.75mm) x .020" (.51mm) Solderless
- .110" (2.79mm) wide with .048" (1.22mm) x .237" (6.02mm) Slot for Soldering



**TAB AND POLARIZATION OPTIONS**

1                      2                      3                      4                      5                      6                      7                      8                      9                      10

PDF FILE MADE	<b>CW INDUSTRIES</b> Southampton, Pa. 18966		Title: <b>ROCKER SWITCH ASSEMBLY D.P./D.T.</b>
	TOLERANCES UNLESS OTHERWISE SPECIFIED		
	2 Place Decimal ±.010	METRIC	Division: <b>SWITCH</b>
	3 Place Decimal ±.005	1 Place Dec. ±.25mm	
	Angles ..... ±1°	2 Place Dec. ±.13mm	
Made for: CW IND.	Drawn by: DGW 10-28-2010	Dwg. No. <b>GRS-4023A,B,C,-XXXX</b>	
Checked by:	Approval:		