



Chipsmall Limited consists of a professional team with an average of over 10 year of expertise in the distribution of electronic components. Based in Hongkong, we have already established firm and mutual-benefit business relationships with customers from,Europe,America and south Asia,supplying obsolete and hard-to-find components to meet their specific needs.

With the principle of “Quality Parts,Customers Priority,Honest Operation,and Considerate Service”,our business mainly focus on the distribution of electronic components. Line cards we deal with include Microchip,ALPS,ROHM,Xilinx,Pulse,ON,Everlight and Freescale. Main products comprise IC,Modules,Potentiometer,IC Socket,Relay,Connector.Our parts cover such applications as commercial,industrial, and automotives areas.

We are looking forward to setting up business relationship with you and hope to provide you with the best service and solution. Let us make a better world for our industry!



Contact us

Tel: +86-755-8981 8866 Fax: +86-755-8427 6832

Email & Skype: info@chipsmall.com Web: www.chipsmall.com

Address: A1208, Overseas Decoration Building, #122 Zhenhua RD., Futian, Shenzhen, China

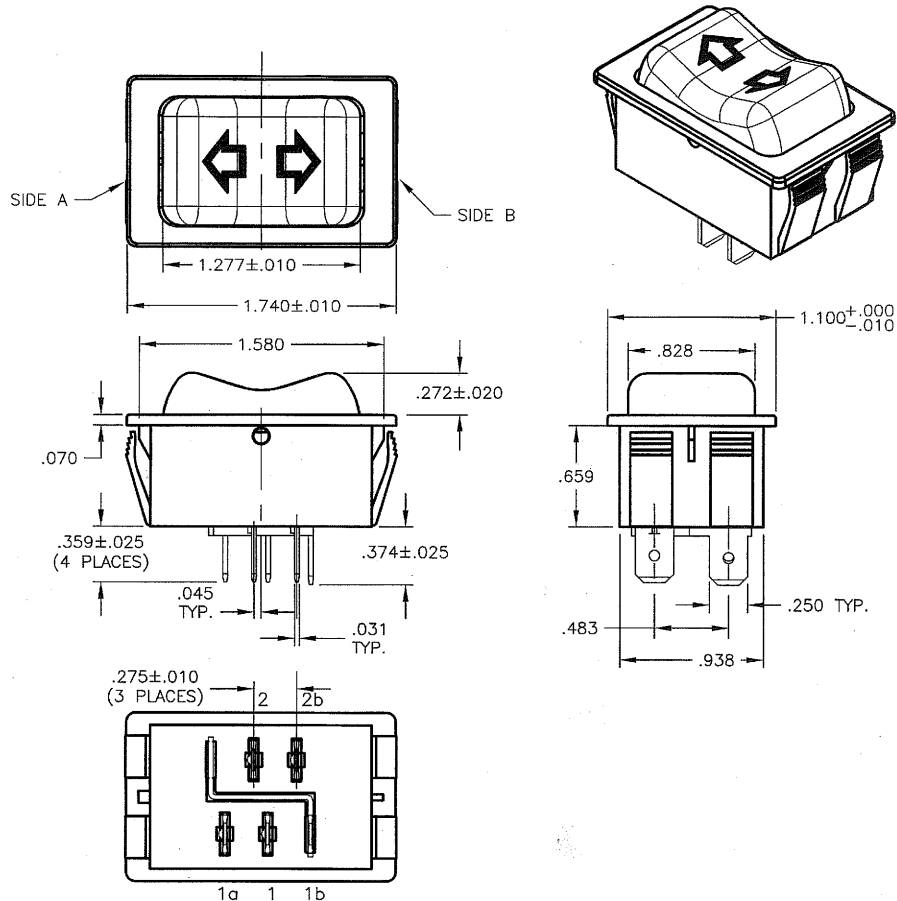


DIMENSIONS IN INCHES (MILLIMETERS)
DO NOT SCALE DRAWING

Dwg. No.

GRS-6024C-0005

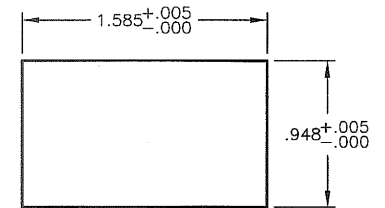
E
D
C
B
A



ACTUATOR POSITION	CIRCUITS			
	1a-1	1-1b	1b-2	2-2b
CENTERED	CLOSED	OPEN	OPEN	CLOSED
DEPRESSED ON SIDE A	OPEN	CLOSED	OPEN	CLOSED
DEPRESSED ON SIDE B	CLOSED	OPEN	CLOSED	OPEN

Reversing Motor Circuit:

- Terminals 1a & 2b ground
- Terminal 1b power
- Terminals 1 & 2 motor leads



PANEL OPENING

PANEL THICKNESS: .090

1 2 3 4 5 6 7 8 9 10

FORM-B3 REVISIONS 0 RELEASED DGW 11-14-2011 NOV 15 2011	<p>ATTENTION</p> <p>THIS DRAWING AND ITS ATTACHMENTS, IF ANY, ARE PROPRIETARY TO CW INDUSTRIES AND DESCRIBE DESIGNS THAT ARE CONFIDENTIAL AND MUST NOT BE DISCLOSED UNLESS AUTHORIZED, IN WRITING, BY AN OFFICER OF CW INDUSTRIES.....</p>						<p>CW INDUSTRIES Southampton, Pa. 18966</p> <p>TOLERANCES UNLESS OTHERWISE SPECIFIED</p> <table border="1"> <tr> <td>2 Place Decimal ±.010</td> <td>METRIC</td> </tr> <tr> <td>3 Place Decimal ±.005</td> <td>1 Place Dec. ±.25mm</td> </tr> <tr> <td>Angles ±1°</td> <td>2 Place Dec. ±.13mm</td> </tr> </table>	2 Place Decimal ±.010	METRIC	3 Place Decimal ±.005	1 Place Dec. ±.25mm	Angles ±1°	2 Place Dec. ±.13mm	<p>Title: REVERSING SWITCH</p>
	2 Place Decimal ±.010	METRIC												
	3 Place Decimal ±.005	1 Place Dec. ±.25mm												
	Angles ±1°	2 Place Dec. ±.13mm												
Made for:						Division:								
Drawn by: DGW 11-14-2011						SWITCH								
Checked by: G. Gold 11-14-11						Dwg. No.								
Approval: G. Gold 11-14-11						GRS-6024C-0005								

MASTER