



Chipsmall Limited consists of a professional team with an average of over 10 year of expertise in the distribution of electronic components. Based in Hongkong, we have already established firm and mutual-benefit business relationships with customers from,Europe,America and south Asia,supplying obsolete and hard-to-find components to meet their specific needs.

With the principle of "Quality Parts,Customers Priority,Honest Operation,and Considerate Service",our business mainly focus on the distribution of electronic components. Line cards we deal with include Microchip,ALPS,ROHM,Xilinx,Pulse,ON,Everlight and Freescale. Main products comprise IC,Modules,Potentiometer,IC Socket,Relay,Connector.Our parts cover such applications as commercial,industrial, and automotives areas.

We are looking forward to setting up business relationship with you and hope to provide you with the best service and solution. Let us make a better world for our industry!



Contact us

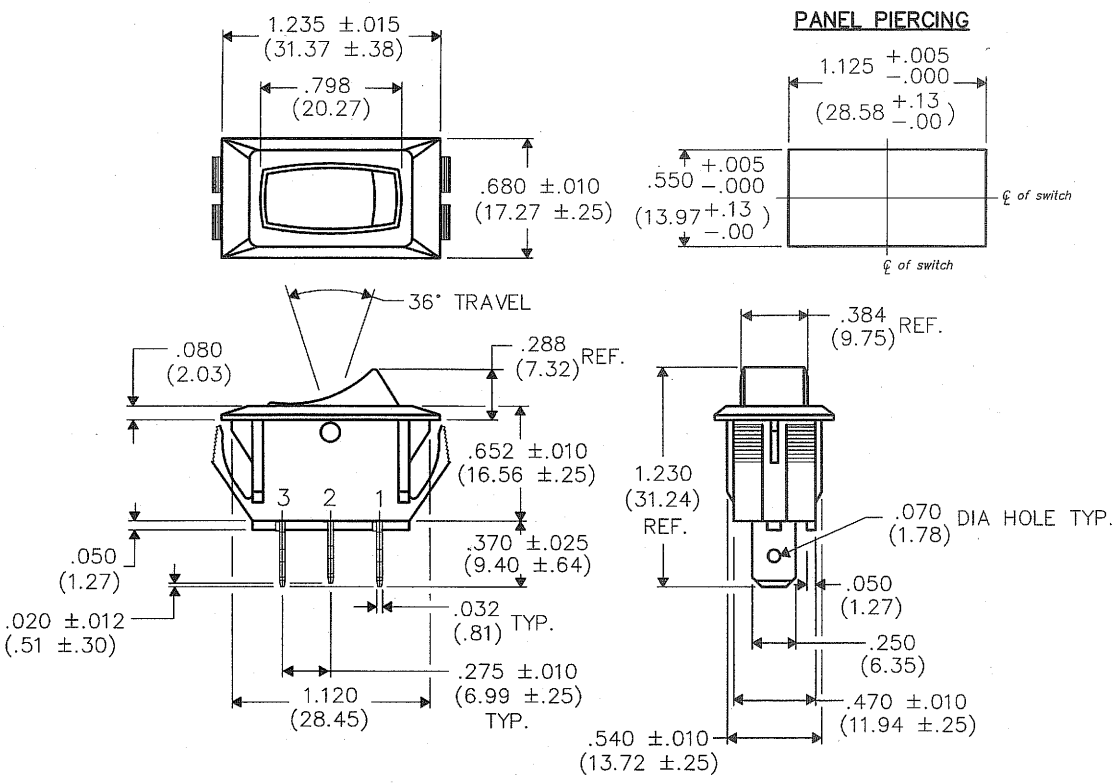
Tel: +86-755-8981 8866 Fax: +86-755-8427 6832

Email & Skype: info@chipsmall.com Web: www.chipsmall.com

Address: A1208, Overseas Decoration Building, #122 Zhenhua RD., Futian, Shenzhen, China



E
 D
 C
 B
 A



MATERIAL:
 ROCKER KNOB & HOUSING—
 High Temp. Nylon, Color— Black
 MOVING CONTACT & TERMINALS—
 Copper Alloy/Micro—Finish

RATING: UL/CSA/VDE
 16A. 125V 12A. 250VAC
 3/4 H.P. 125-250VAC
 10A. 14VT 12(6)A. 250V ~ T85°

B-FORMAT 2002	REVISIONS	0	1	2	3	4	5	6	7	8	9	10
RELEASED: DGW 2-23-2012 FEB 23 2012												

PDF Made	CW INDUSTRIES Southampton, Pa. 18966		Title: ROCKER SWITCH	
	<small>TOLERANCES UNLESS OTHERWISE SPECIFIED</small>		S.P.D.T.	
	2 Place Decimal ±.010	METRIC	NO POLAR., NO BARR.	
	3 Place Decimal ±.005	1 Place Dec. ±.25mm	Division: SWITCH	
Angles ±1'		2 Place Dec. ±.13mm		Dwg. No. GRSH-2012-2600
Made for: CW IND.			Division: SWITCH	
Drawn by: DGW 2-23-2012			Dwg. No. GRSH-2012-2600	
Checked by: <i>G. Guld 2-24-12</i>				
Approval: <i>G. Guld 2-24-12</i>				

MASTER